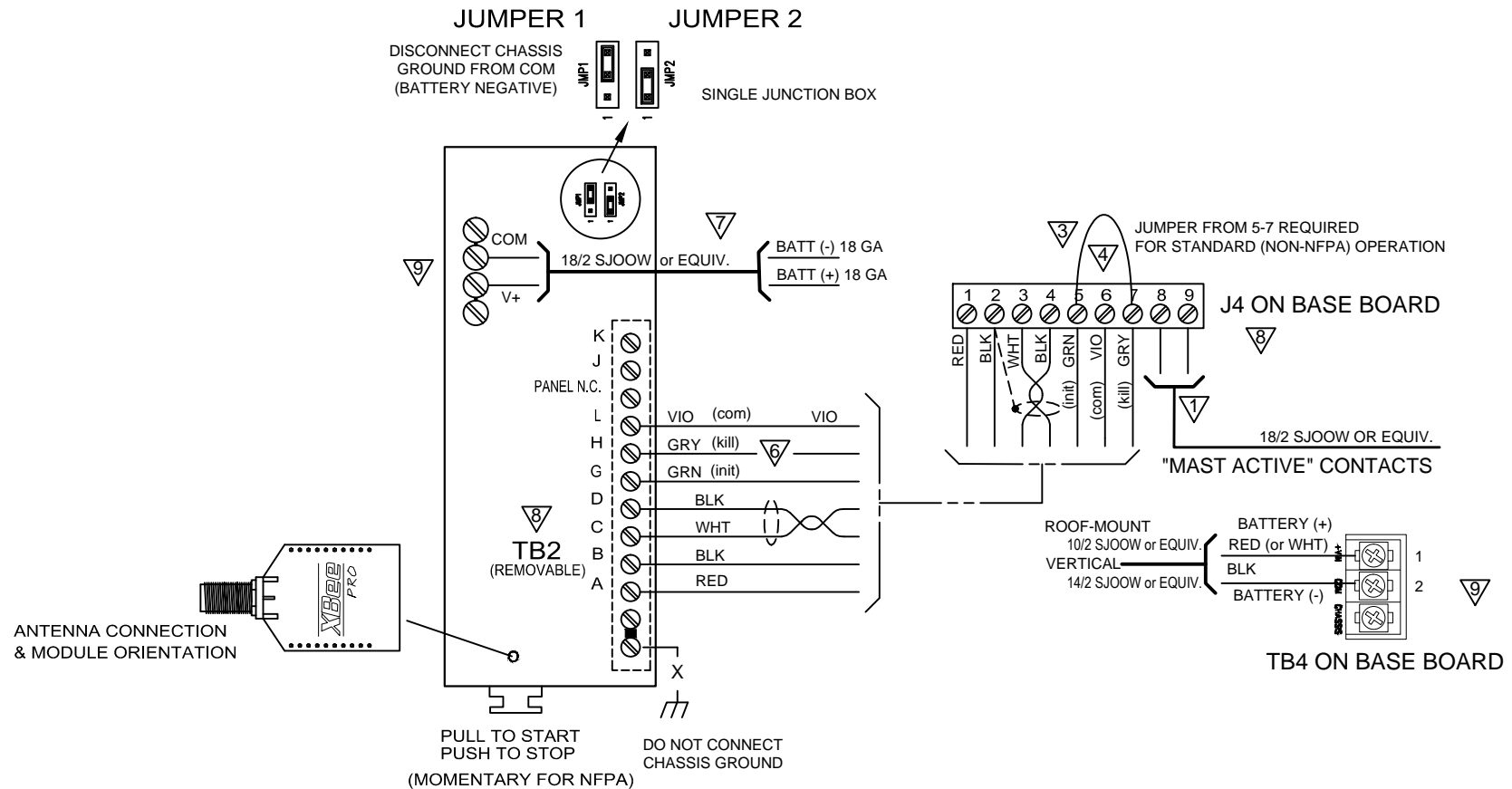


# POWERLITE WIRELESS, J-BOX ONLY

REVISIONS				
ECN	REV	DESCRIPTION	DATE	BY/APPVL
12580	00	NEW	03-02-15	DJB/



## NOTES

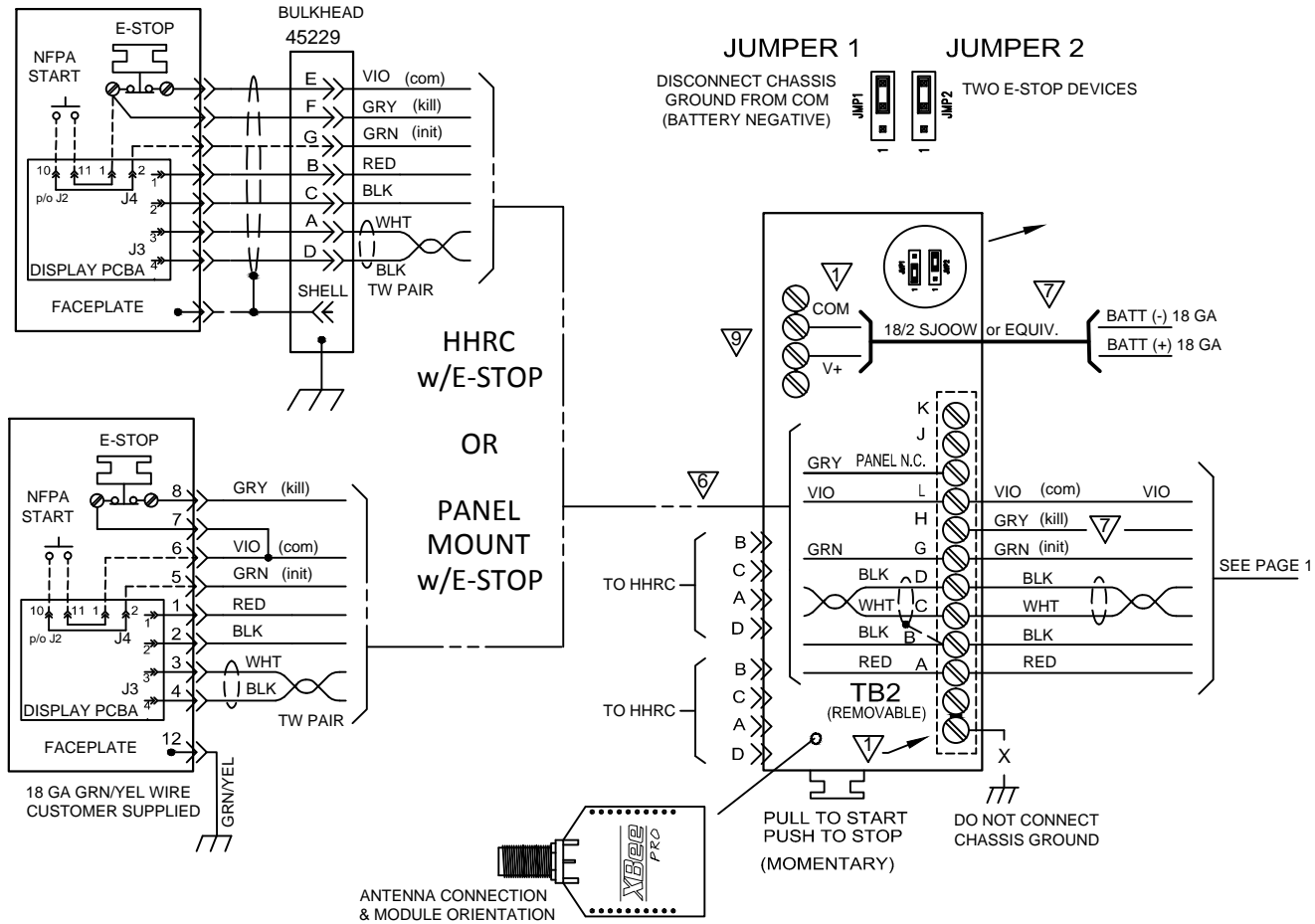
- "MAST ACTIVE" CONTACTS, J4 8,9:  
USE SW2-1 ON BASE BOARD TO SELECT OPEN OR CLOSED WHEN MAST ACTIVE.  
SW2-1 OPEN = CONTACTS OPEN WHEN ACTIVE.  
SW2-1 CLOSED = CONTACTS CLOSED WHEN ACTIVE.  
2 AMPS MAX CURRENT, 20 GA. MINIMUM CONDUCTOR. 18/2 SJOOW AVAILABLE.
- SW2-2 ON BASE BOARD MUST BE OPEN (OFF) FOR NFPA MODE.
- SW2-2 ON BASE BOARD MUST BE CLOSED (ON) STANDARD MODE.
- REMOVE JUMPER(S) IF REPLACED BY PARKING BRAKE INTERLOCK. J4-5 TO J4-7 CLOSED WHEN BRAKE "ON". THIS FUNCTION AVAILABLE IN STANDARD MODE ONLY.
- 452180x CABLE: ALL WIRES 20 GA. EXCEPT RED AND BLACK (J4-1 AND 2).
- OPTIONAL DISABLE INPUT, CUSTOMER SUPPLIED CONTACTS. MUST HAVE CONTINUITY TO FUNCTION. WILL NOT ALLOW OPERATION IF OPEN, ACTS AS EMERGENCY STOP
- 18 GA. MIN. FOR J-BOX POWER. SEPARATE POWER TO BASE BOARD TB4 REQUIRED.
- TORQUE: 4.4in-lbs, 0.5Nm
- TORQUE: 20in-lbs, 2.3Nm

AutoCAD Drawing: NSU J-Box 723 Wiring.dwg	UNLESS OTHERWISE SPECIFIED DIMENSIONS ARE IN INCHES	THIS DOCUMENT CONTAINS PROPRIETARY INFORMATION AND SHALL NOT BE USED OR REPRODUCED OR ITS CONTENTS DISCLOSED IN WHOLE OR IN PART, WITHOUT THE PRIOR WRITTEN CONSENT OF THE WILL-BURT COMPANY.	<b>WILL BURT</b> AN EMPLOYEE OWNED COMPANY ORRVILLE, OHIO
FINISH	TOLERANCES ON: DECIMALS ANGLES 0 = ± ± 1/2" 00 = ± ± 000 = ± ± FRACTIONS ± BREAK ALL SHARP CORNERS 125/ ON ALL MACHINED SURFACES	FOR LOGISTICAL SUPPORT ONLY SIGNATURE DATE DR. BY DJB - CK. BY JDN - APP. BY	nightscan™ POWERLITE ROOF-MOUNT, NFPA or STANDARD, WIRELESS J-BOX SIZE DWG. No. <b>WD-72307</b>
			SCALE NTS SHEET 1 OF 1

# POWERLITE WIRELESS & WIRED CONTROLLER

REVISIONS				
ECN	REV	DESCRIPTION	DATE	BY/APPVL
12580	00	NEW	03-02-15	DJB/

TWIST TO START  
PUSH TO STOP  
(SHOWN IN START POSITION)



AutoCAD Drawing: NSU J-Box 723 Wiring.dwg	UNLESS OTHERWISE SPECIFIED DIMENSIONS ARE IN INCHES	THIS DOCUMENT CONTAINS PROPRIETARY INFORMATION AND SHALL NOT BE USED OR REPRODUCED OR ITS CONTENTS DISCLOSED IN WHOLE OR IN PART, WITHOUT THE PRIOR WRITTEN CONSENT OF THE WILL-BURT COMPANY.	<b>WB</b> WILL-BURT AN EMPLOYEE OWNED COMPANY ORRVILLE, OHIO
FINISH	TOLERANCES ON: DECIMALS    ANGLES 0 = ±        ± 1/2° 00 = ±        000 = ± FRACTIONS ±	FOR LOGISTICAL SUPPORT ONLY	<b>nightscan™ POWERLITE</b> NFPA or STANDARD, WIRELESS J-BOX & WIRED CONTROL
	BREAK ALL SHARP CORNERS 125/ ON ALL MACHINED SURFACES	SIGNATURE    DATE DR. BY <b>DJB</b> - CK. BY <b>JDN</b> - APP. BY	SIZE <b>A</b> DWG. No. <b>WD-72307</b>
		SCALE    NTS	SHEET 2 OF 2