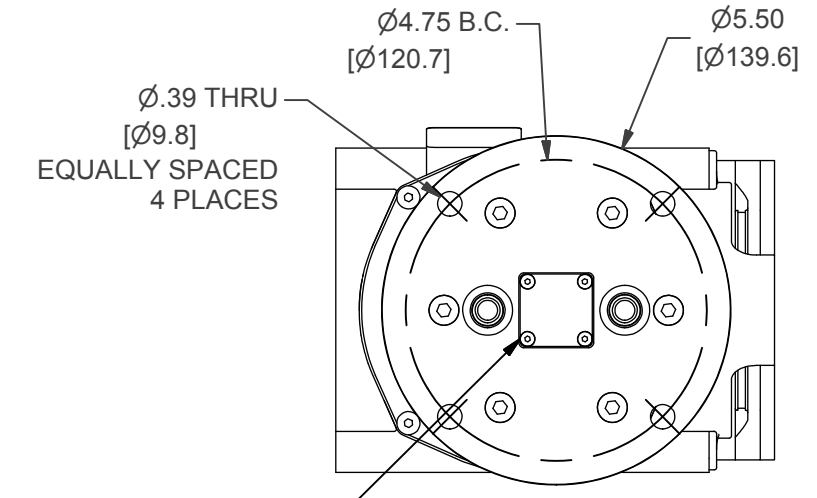


FACTORY PRESET HOME POSITION (PRESET 0)




OPTIONAL CABLE PLUG LOCATION (SEE MANUAL FOR INSTRUCTIONS)

VIEW A-A

NOTES:
 PAN/TILT OUTPUT TORQUE - 47.4 Nm (35 ft-lbs)
 PAN DEGREES OF ROTATION - ± 200°
 TILT DEGREES OF ROTATION - ± 90°
 BACKLASH - <0.15°
 REPEATABILITY <0.3°
 IP68 RATED FOR DUST AND WATER INTRUSION
 TEMPERATURE RANGE - (-20)° TO +50° C
 24 VDC POWER INPUT
 ALTERNATE UNITS ARE MILLIMETERS
 CABLE AND CONTROLLER SOLD SEPARATELY
 SEE OPERATING MANUAL FOR INSTALLATION WIRING DIAGRAM
 ALL DIMENSIONS AND PARAMETERS ARE FOR REFERENCE ONLY AND SUBJECT TO CHANGE WITHOUT NOTICE.

CUSTOMER SHEET 1 OF 1

MATERIAL:	PROPRIETARY AND CONFIDENTIAL THE INFORMATION CONTAINED IN THIS DRAWING IS THE SOLE PROPERTY OF THE WILL-BURT COMPANY ANY REPRODUCTION IN PART OR WHOLE WITHOUT THE WRITTEN PERMISSION OF THE WILL-BURT COMPANY IS PROHIBITED.	 AN EMPLOYEE OWNED COMPANY ORRVILLE, OH	
FINISH: BLACK RAL9005	UNLESS OTHERWISE SPECIFIED DIMENSIONS ARE IN INCHES THIRD ANGLE PROJECTION	TITLE: POSITION-IT 35 FT-LB 24V ABP BLK CUSTOMER DRAWING	
DRAWING NOT TO SCALE		P/N: 5467801	DATE: 8/3/2017
ALL DIMENSIONS AND PERFORMANCE PARAMETERS ARE PROVIDED FOR REFERENCE ONLY AND ARE SUBJECT TO CHANGE WITHOUT NOTICE.		APPROXIMATE WEIGHT: 21.0 lbmass	TUBE SET: REV A
			DRAWN BY: RCC