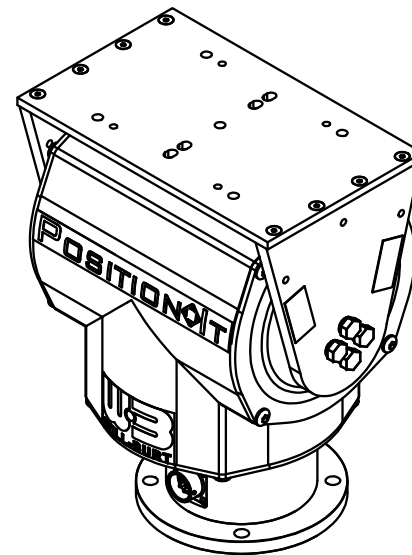
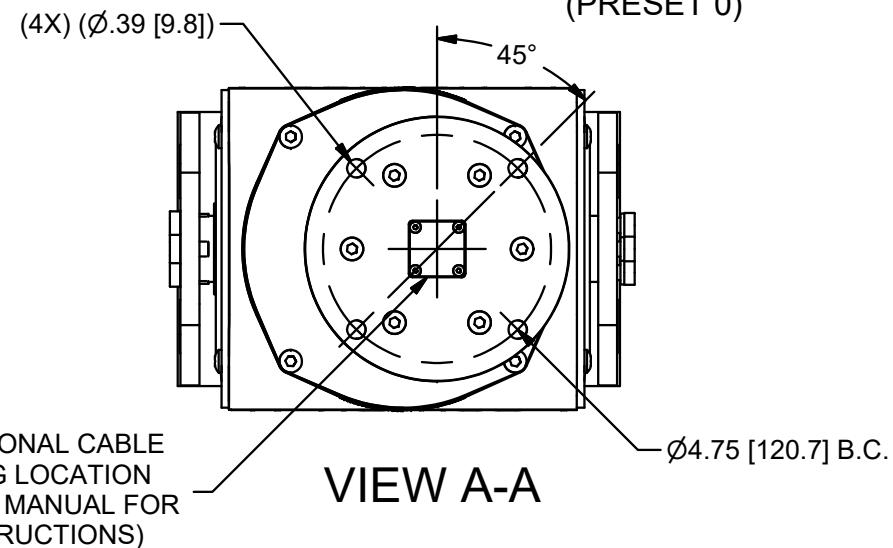
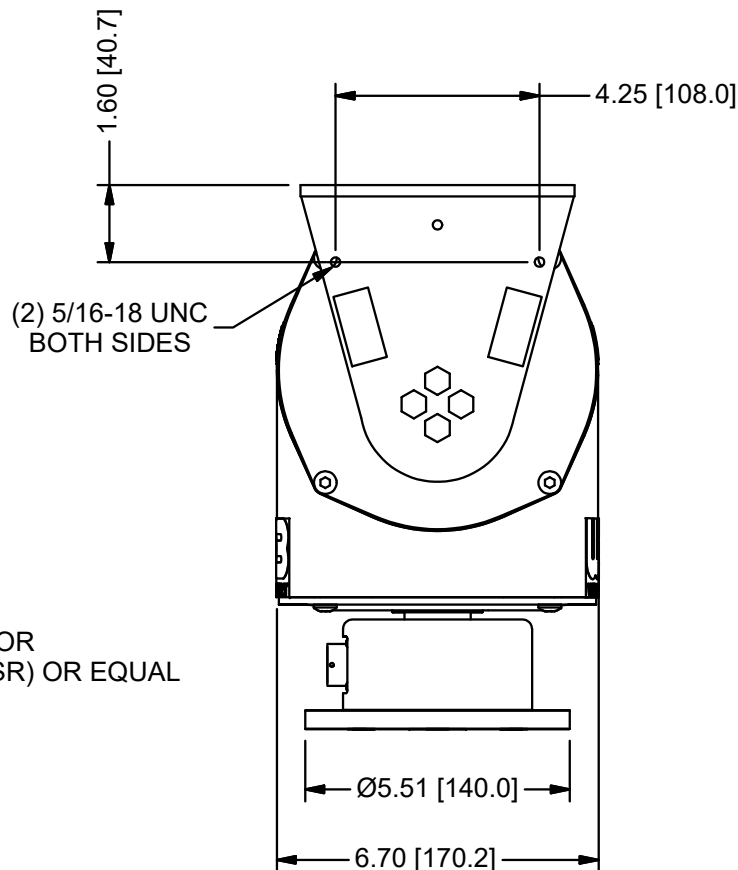
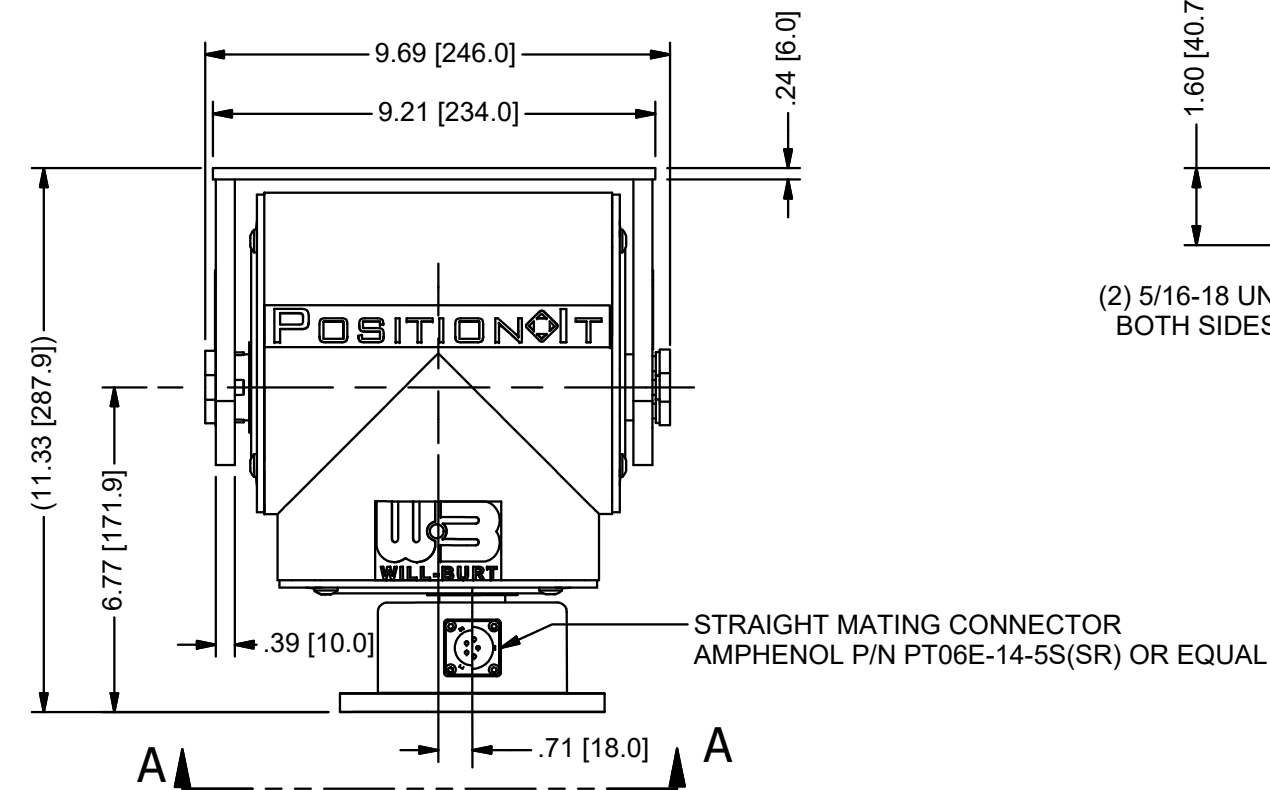


(2) DETAIL C



FACTORY PRESET HOME POSITION (PRESET 0)

OPTIONAL CABLE PLUG LOCATION (SEE MANUAL FOR INSTRUCTIONS)

VIEW A-A

Table	
PART NUMBER	DESCRIPTION
5191201	POSITION-IT 75 FT-LB POSITIONER 24V BLK - SOFTWARE V1.3W
5191202	POSITION-IT 75 FT-LB POSITIONER 24V BLK - SOFTWARE MP1.3

NOTES:
 PAN GEAR BOX SPEED (MAX) - 6.5° PER SECOND
 TILT GEAR BOX SPEED (MAX) - 5.5° PER SECOND
 PAN/TILT OUTPUT TORQUE - 101 Nm (75 ft-lbs)
 PAN DEGREES OF ROTATION - ± 200°
 TILT DEGREES OF ROTATION - ± 90°
 BACKLASH - <0.15°
 REPEATABILITY <0.3°
 IP68 RATED FOR DUST AND WATER INTRUSION
 TEMPERATURE RANGE - (-20)° TO +50° C
 24 VDC POWER INPUT
 ALTERNATE UNITS ARE MILLIMETERS
 CABLE AND CONTROLLER SOLD SEPARATELY
 SEE OPERATING MANUAL FOR INSTALLATION WIRING DIAGRAM
 ALL DIMENSIONS ON SHEET 1 ARE FOR REFERENCE ONLY

CUSTOMER DRAWING SHEET 1 OF 1

MATERIAL	UNLESS OTHERWISE SPECIFIED DIMENSIONS ARE IN INCHES. TOLERANCES ON DECIMALS ANGLES 0 ± 0.030 ± 1/2° 00 ± 0.010 000 ± 0.005 FRACTIONAL ± 1/64"	THE INFORMATION CONTAINED IN THIS DRAWING IS THE SOLE PROPERTY OF THE WILL-BURT COMPANY ANY REPRODUCTION IN PART OR WHOLE WITHOUT THE WRITTEN PERMISSION OF THE WILL-BURT COMPANY IS PROHIBITED.	AN EMPLOYEE OWNED COMPANY ORRVILLE, OH			
FINISH	BLACK RAL9005		TITLE	POSITION-IT 75 FT-LB POSITIONER 24V BLK		
APPROX. WT: 35 lbs	1. ALL INSIDE EDGES TO HAVE .005" TO .035" FILLETS. 2. ALL OUTSIDE EDGES TO HAVE .005" TO .015" CHAMFER OR RADIUS.	APPROVALS	DATE	SIZE	DWG NO	REV
THIRD ANGLE PROJECTION	125° ON ALL MACHINED SURFACES	drajmer	6/10/2014	B	51912	D
		CHECKED		PN:	SEE TABLE	SHEET 1 OF 2