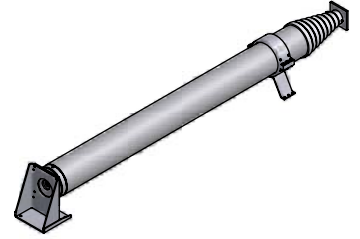
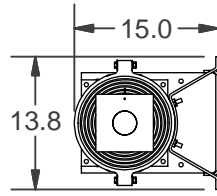


2



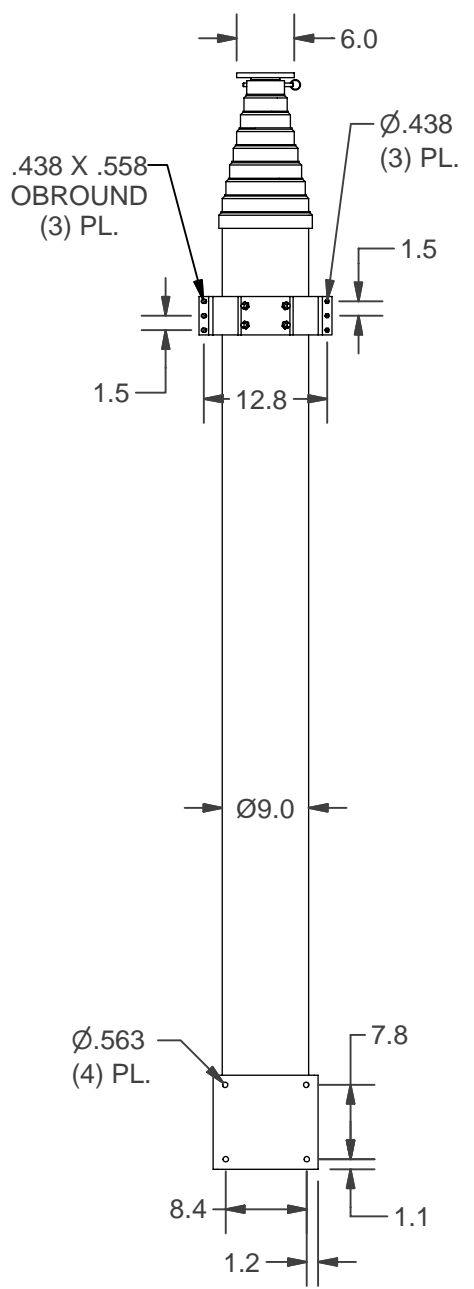
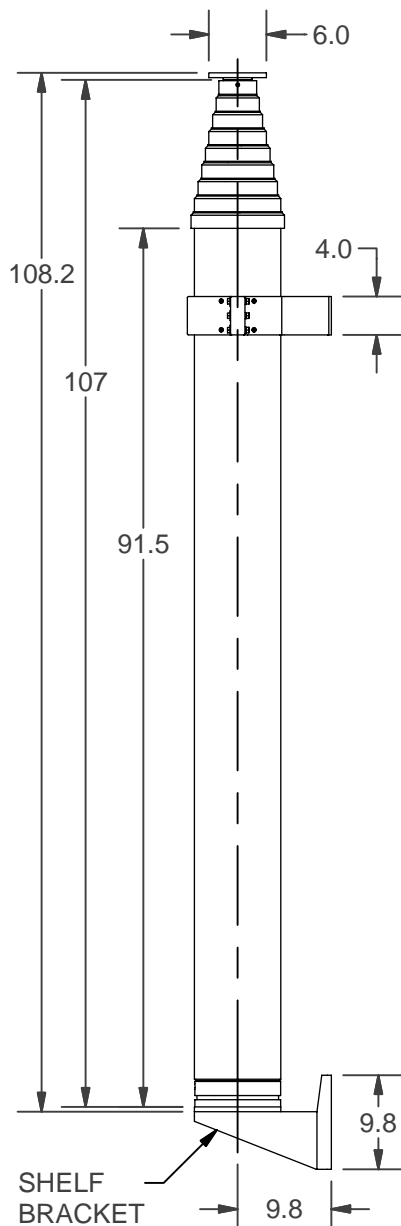
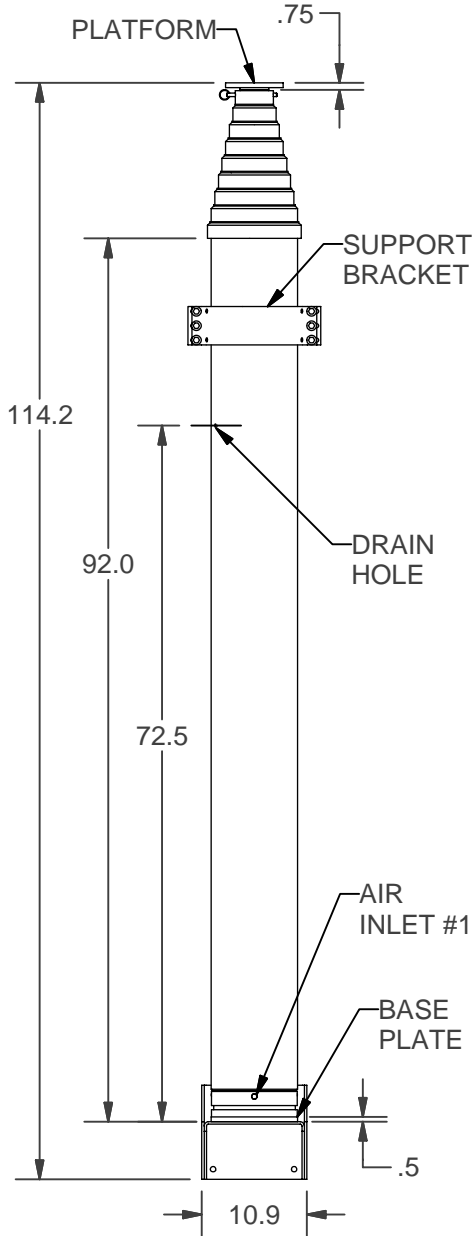
1

PNEUMATIC MAST INSTALLATION DIMENSIONS



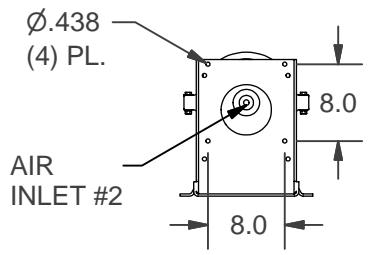
B

B



A

A



PROPRIETARY AND CONFIDENTIAL
 THE INFORMATION CONTAINED IN THIS DRAWING IS THE SOLE PROPERTY OF THE WILL-BURT COMPANY ANY REPRODUCTION IN PART OR WHOLE WITHOUT THE WRITTEN PERMISSION OF THE WILL-BURT COMPANY IS PROHIBITED.

UNLESS OTHERWISE SPECIFIED DIMENSIONS ARE IN INCHES

ALL DIMENSIONS ARE REFERENCE THIRD ANGLE PROJECTION

WILL-BURT AN EMPLOYEE OWNED COMPANY ORRVILLE, OH	MODEL
	9-58-368
DRAWING	WEB126
NOVEMBER 07	

2



1