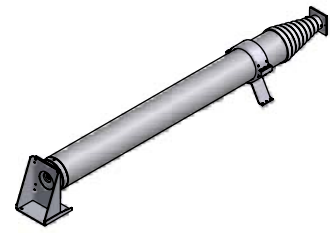
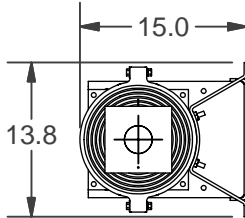


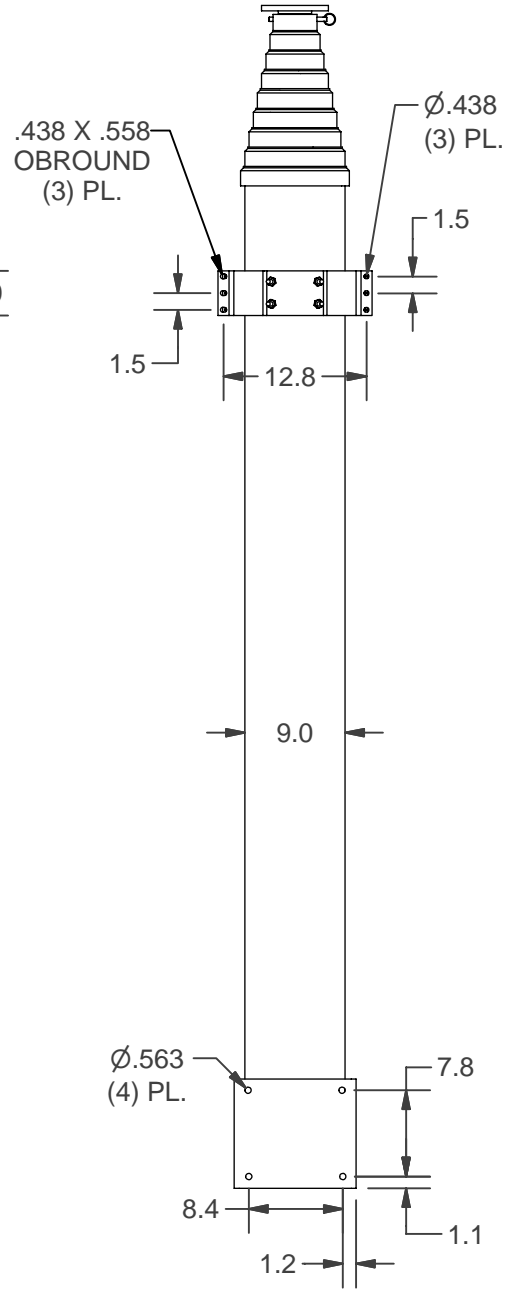
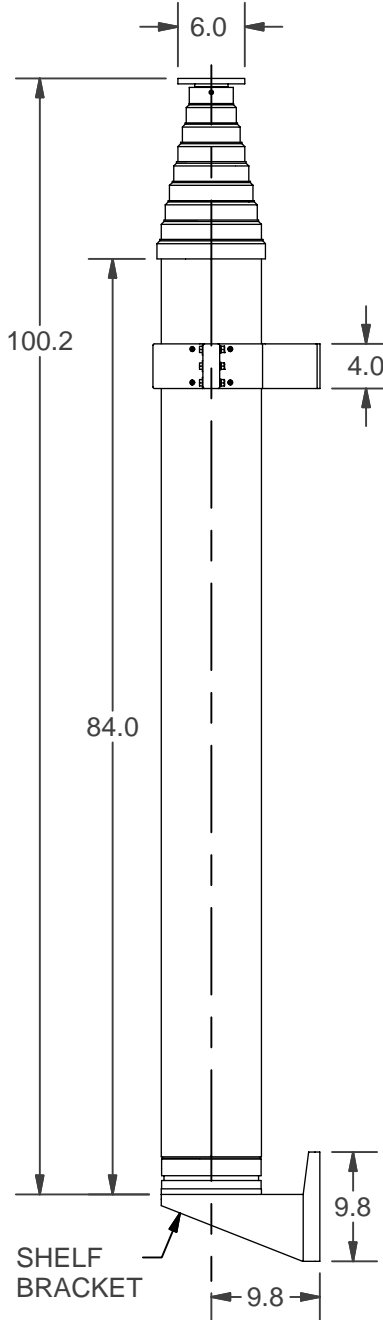
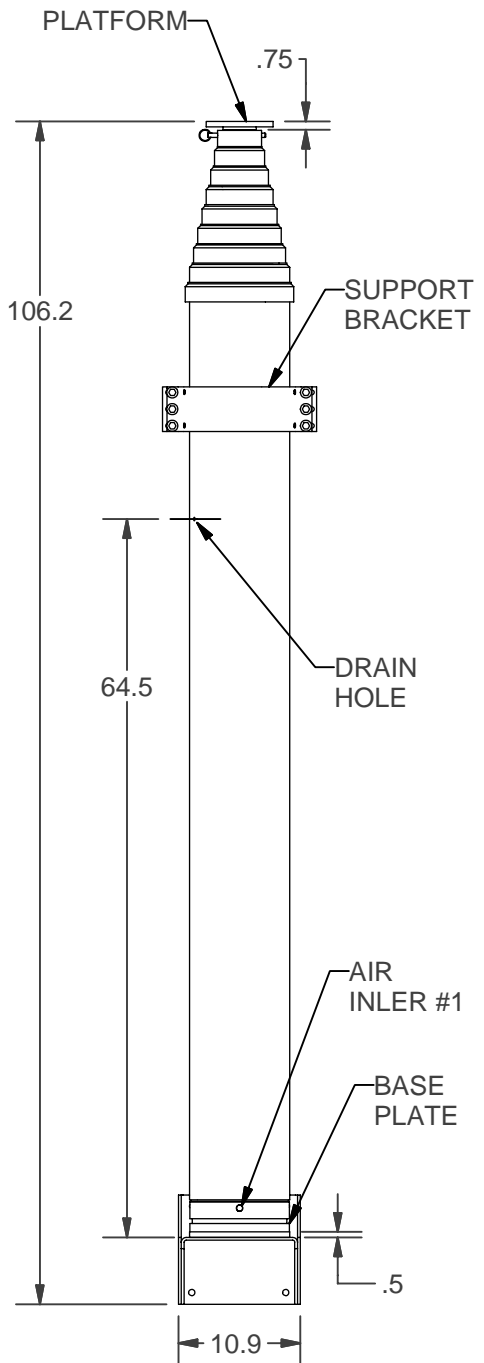
2

1



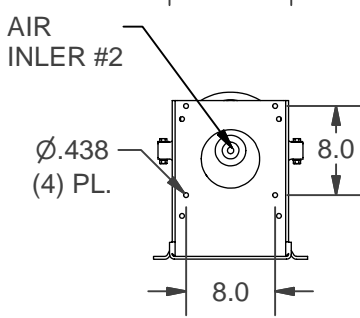
B

B



A

A



PROPRIETARY AND CONFIDENTIAL
 THE INFORMATION CONTAINED IN THIS DRAWING IS THE SOLE PROPERTY OF THE WILL-BURT COMPANY ANY REPRODUCTION IN PART OR WHOLE WITHOUT THE WRITTEN PERMISSION OF THE WILL-BURT COMPANY IS PROHIBITED.

WB AN EMPLOYEE OWNED COMPANY
 WILL-BURT
 ORRVILLE, OH

UNLESS OTHERWISE SPECIFIED DIMENSIONS ARE IN INCHES

TITLE **PNEUMATIC MAST INSTALLATION DIMENSIONS**

ALL DIMENSIONS ARE REFERENCE THIRD ANGLE PROJECTION

MODEL **8.5-52-368**

2

1

JUNE-07