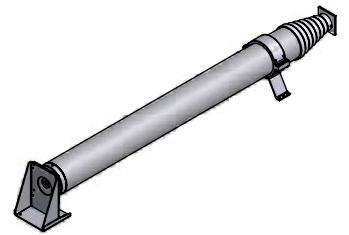
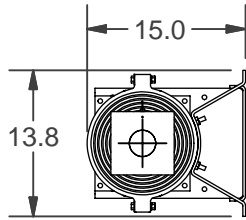


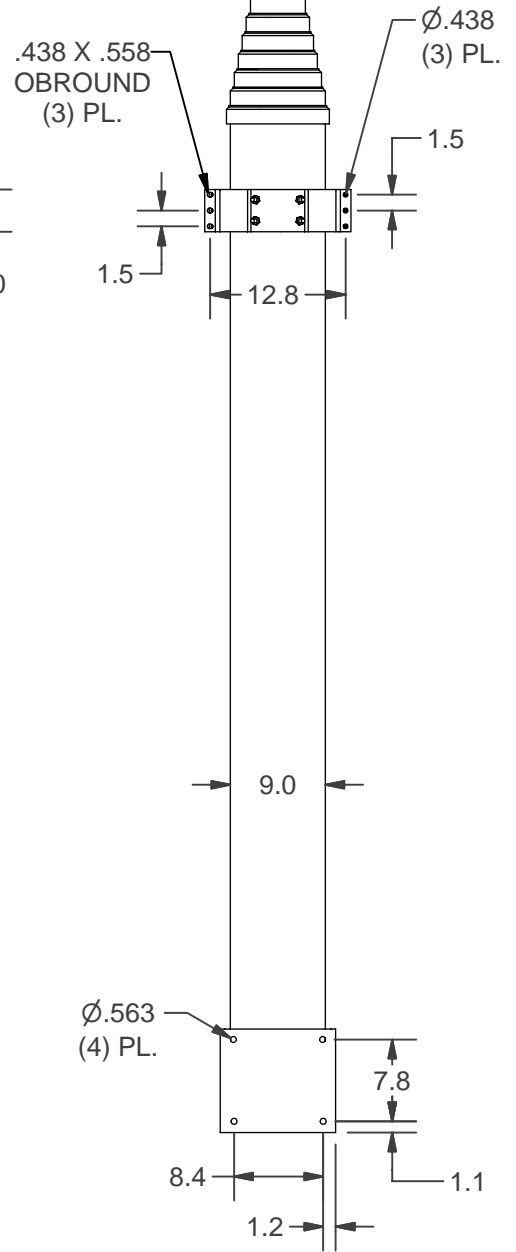
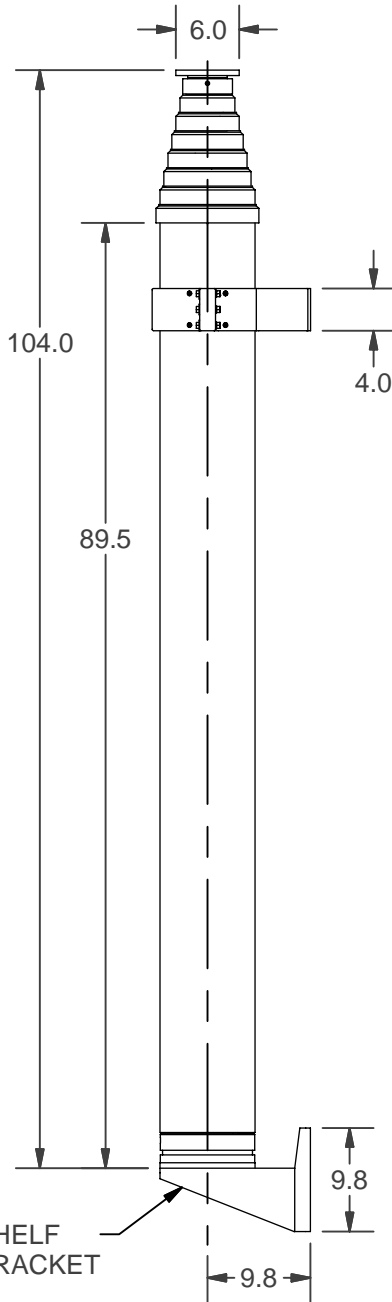
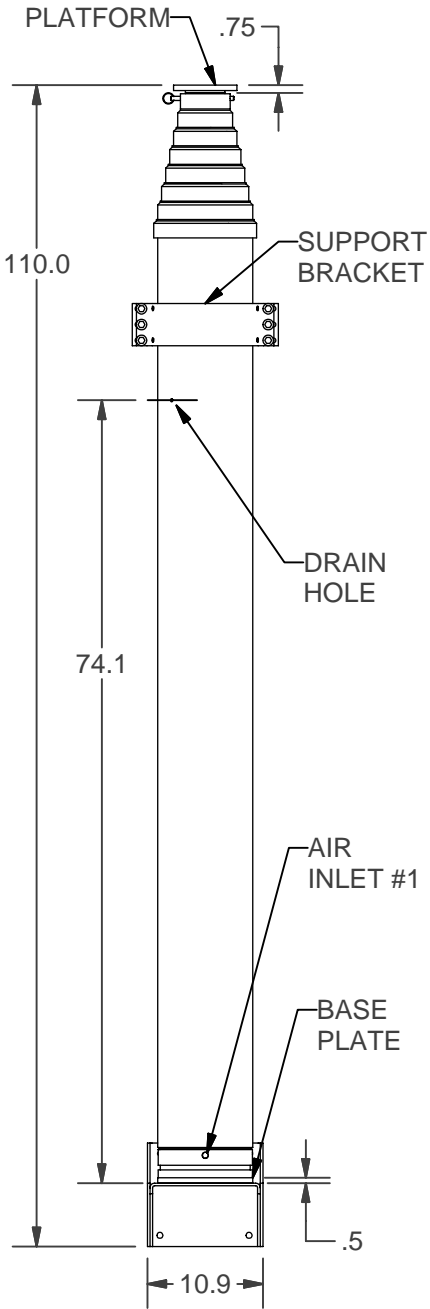
2

1



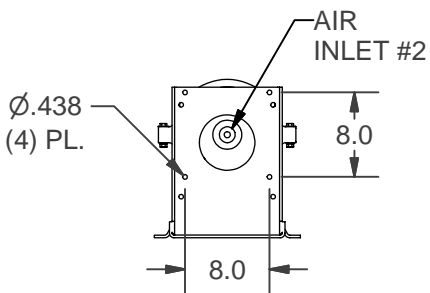
B

B



A

A



**PROPRIETARY AND CONFIDENTIAL**  
 THE INFORMATION CONTAINED IN THIS DRAWING IS THE SOLE PROPERTY OF THE WILL-BURT COMPANY ANY REPRODUCTION IN PART OR WHOLE WITHOUT THE WRITTEN PERMISSION OF THE WILL-BURT COMPANY IS PROHIBITED.



**AN EMPLOYEE OWNED COMPANY**  
 WILL-BURT  
 ORRVILLE, OH

UNLESS OTHERWISE SPECIFIED DIMENSIONS ARE IN INCHES

**TITLE**  
 PNEUMATIC MAST  
 INSTALLATION DIMENSIONS

ALL DIMENSIONS ARE REFERENCE  
 THIRD ANGLE PROJECTION

**MODEL**  
 8.5-48-368

JUNE-07

2

1

