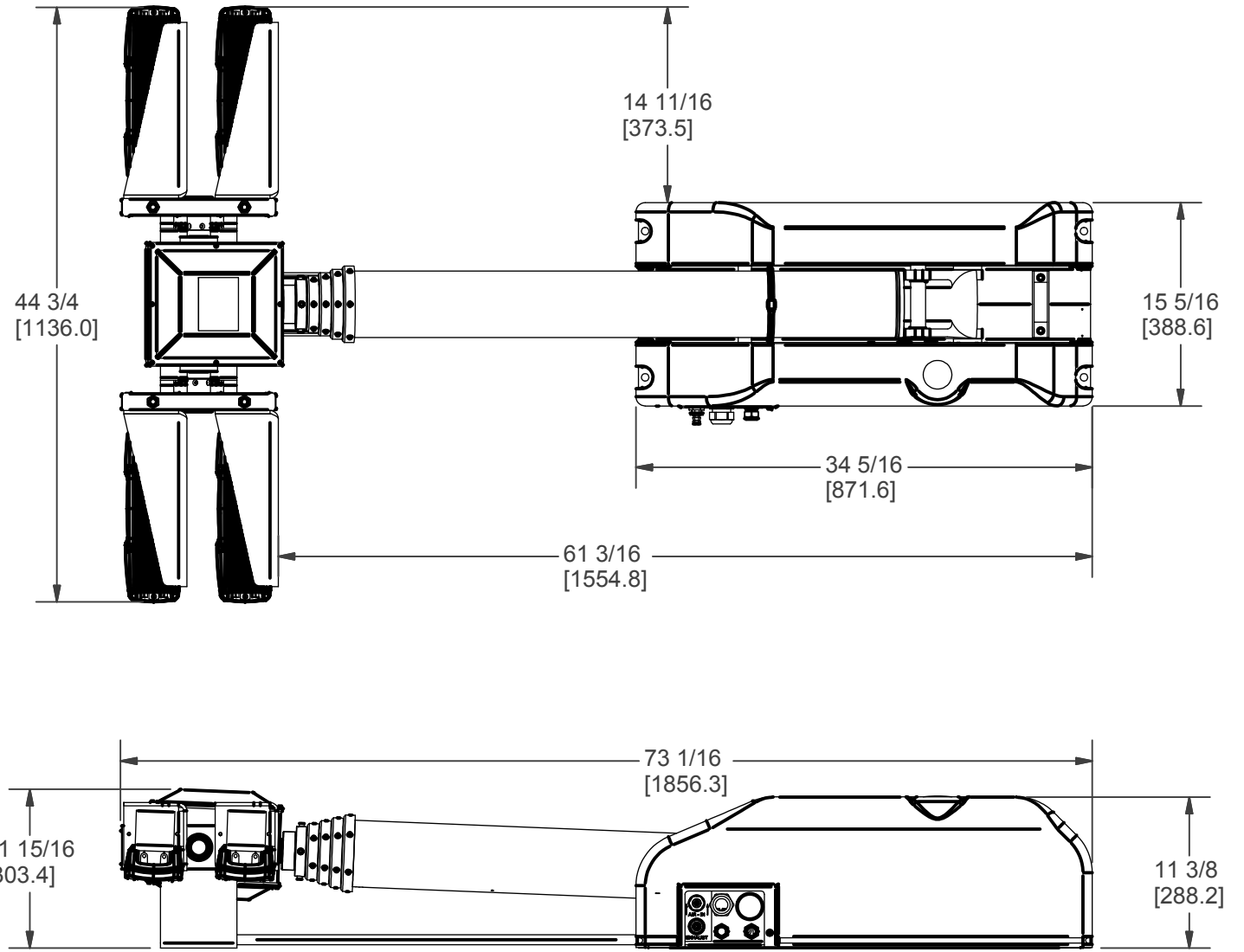
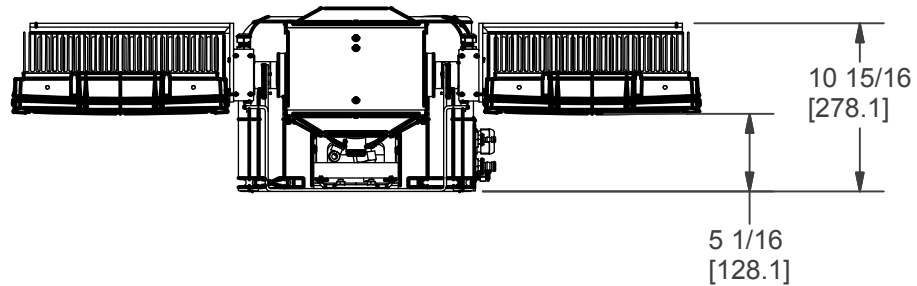


Table		
PART NUMBER	DESCRIPTION	ITEM-3 P/N
721577025	NS 4.5 880 (4X220W) ABSS 240VAC	4921302
721577026	NS 4.5 880 (4X220W) ABSS 120VAC	4921301

REVISION HISTORY				
ECN	REV	DESCRIPTION	DATE	BY/APPR
12812	00	INITIAL RELEASE	7/10/2015	RCC

NOTES:

- 1 APPLY RTV #739 OR EQUAL TO ALL OPEN HOLES
- 2 SEE WIRING DIAGRAM WD-46276 FOR WIRING DETAILS
- 3 SET LIGHT BARS HOME POSITION PARALLEL TO BASE PLATE WHEN STOWED
- 4 APPLY LOCTITE #242 OR EQUAL TO ALL THREADS UNLESS OTHERWISE NOTED
- 5 APPLY A COAT OF SILICONE GREASE TO RCP MOTOR BORES PRIOR TO SHAFTS BEING INSTALLED
- 6 INSTALL GROUND WIRE ASSEMBLY TO BOARD AND RCP HOUSING



NOTES:
SECONDARY DIMENSIONS - MILLIMETERS NOTED IN BRACKETS

BOM			
ITEM	QTY	PART NUMBER	DESCRIPTION
1	1	4627601	BASE ASSEMBLY NSP 15 FT. CLR ADZ
2	1	4742501	RCP ASSEMBLY NSP STD
3	1	SEE TABLE	KIT, LIGHT ABSS 880W (4)X220
4	1	4706703	LABEL KIT-CLEAR CE (NOT SHOWN)
5	1	4807801	KIT, SHIPPING NSP (NOT SHOWN)

APPROX. WT:N/A

THIRD ANGLE PROJECTION

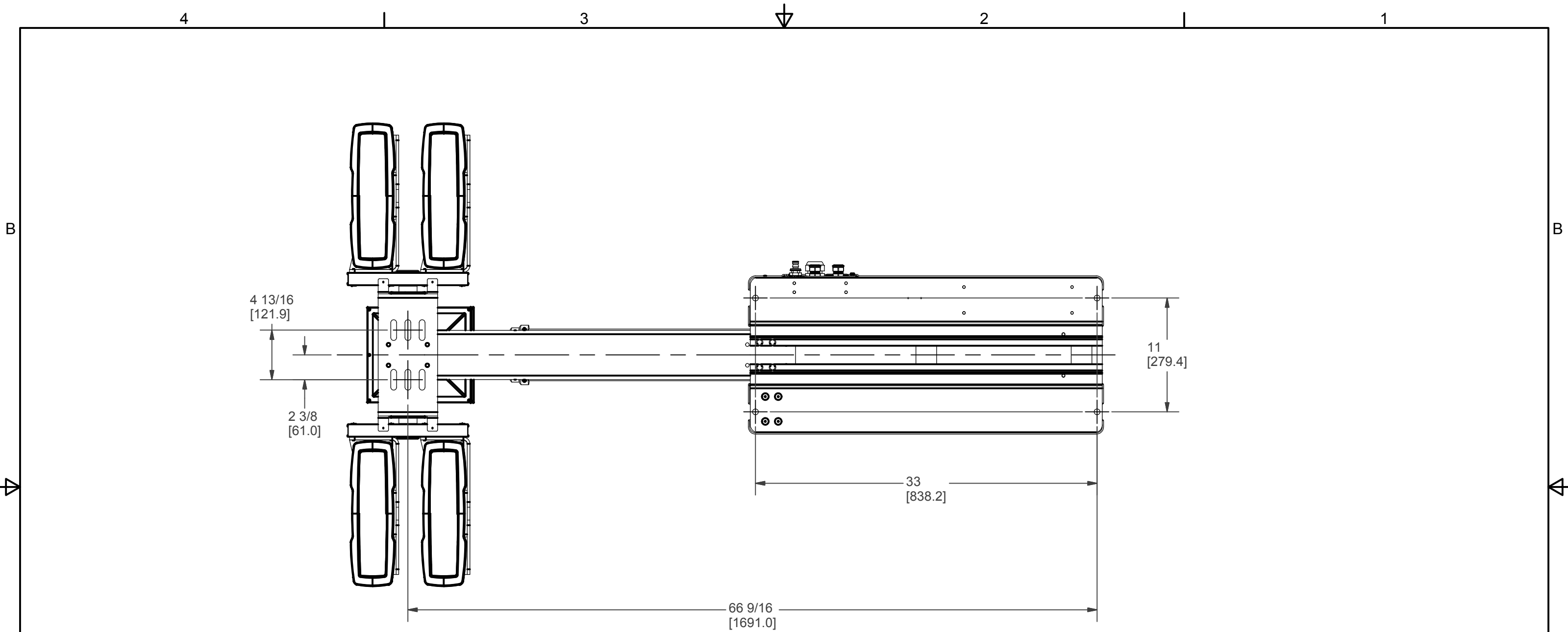


UNLESS OTHERWISE SPECIFIED
DIMENSIONS ARE IN INCHES.
TOLERANCES ON DECIMALS ANGLES
0 = ± 0.030 ± 1/2°
00 = ± 0.015
000 = ± 0.010
FRACTIONAL ± 1/64"
1. ALL INSIDE EDGES TO HAVE
.005" TO .035" FILLETS.
2. ALL OUTSIDE EDGES TO HAVE
.005" TO .015" CHAMFER OR RADIUS.
125√ ON ALL MACHINED SURFACES

PROPRIETARY AND CONFIDENTIAL
THE INFORMATION CONTAINED IN THIS
DRAWING IS THE SOLE PROPERTY OF THE
WILL-BURT COMPANY ANY
REPRODUCTION IN PART OR WHOLE
WITHOUT THE WRITTEN PERMISSION OF
THE WILL-BURT COMPANY IS PROHIBITED.



TITLE			
NS 4.5 880 (4X220W) ABSS			
APPROVALS	DATE	SIZE	DWG NO
DRAWN RCC	7/10/2015	B	721577025
CHECKED		PN:	SEE TABLE
			SHEET 1 OF 2



MOUNTING (BOLT PATTERN)
(BOTTOM VIEW)

APPROX. WT:N/A

THIRD ANGLE PROJECTION



**UNLESS OTHERWISE SPECIFIED
DIMENSIONS ARE IN INCHES.**
TOLERANCES ON DECIMALS ANGLES
0 = ± 0.030 ± 1/2°
.00 = ± 0.015
000 = ± 0.010
FRACTIONAL ± 1/64"
1. ALL INSIDE EDGES TO HAVE
.005" TO .035" FILLETS.
2. ALL OUTSIDE EDGES TO HAVE
.005" TO .015" CHAMFER OR RADIUS.
125√ ON ALL MACHINED SURFACES

PROPRIETARY AND CONFIDENTIAL
THE INFORMATION CONTAINED IN THIS
DRAWING IS THE SOLE PROPERTY OF THE
WILL-BURT COMPANY ANY
REPRODUCTION IN PART OR WHOLE
WITHOUT THE WRITTEN PERMISSION OF
THE WILL-BURT COMPANY IS PROHIBITED.

WB AN EMPLOYEE OWNED COMPANY
WILL-BURT ORRVILLE, OH

TITLE
NS 4.5 880 (4X220W) ABSS

APPROVALS	DATE
DRAWN RCC	7/10/2015
CHECKED	

SIZE	DWG NO	REV
B	721577025	00
PN: SEE TABLE		SHEET 2 OF 2