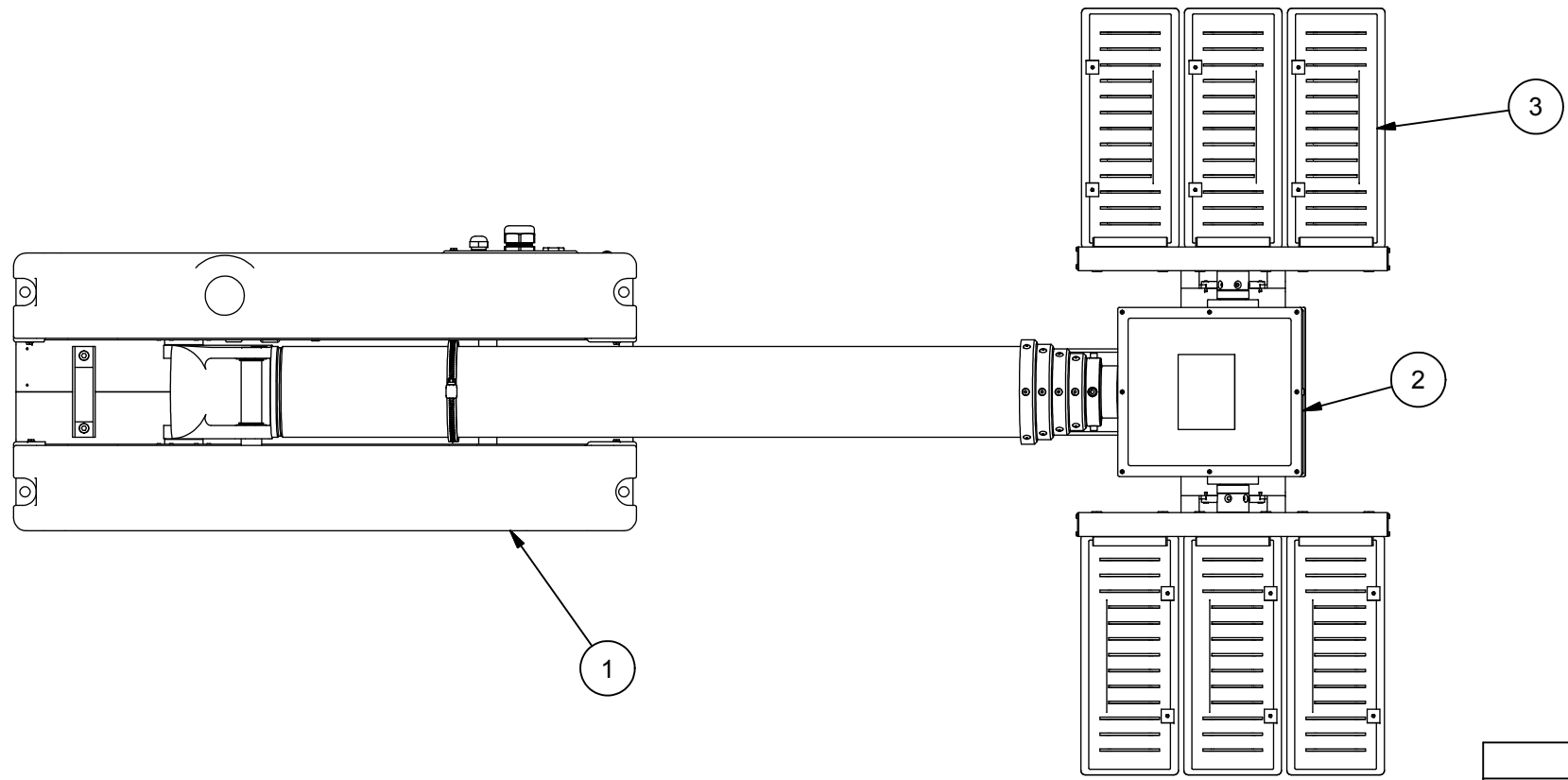


REVISION HISTORY				
ECN	REV	DESCRIPTION	DATE	APPROVED
11073	N	RESTRUCTURED BOM (41472)	6/4/2012	RCC\



- NOTES:
- 1 APPLY RTV #739 OR EQUAL TO ALL OPEN HOLES
 - 2 SET LIGHT BARS HOME POSITION PARALLEL TO BASE PLATE WHEN STOWED
 - 3 APPLY LOCTITE #242 OR EQUAL TO ALL THREADS UNLESS OTHERWISE NOTED

BOM			
ITEM	QTY	PART NUMBER	DESCRIPTION
1	1	4627601	BASE ASSEMBLY NSP
2	1	4742501	RCP ASSEMBLY NSP STD
3	1	4748507	MGN 6 LIGHT KITS
4	1	4706701	NSP LABEL KIT (NOT SHOWN)
5	1	900600	MAST OIL (NOT SHOWN)
6	1	900521	HOSE END BRASS #30182-4-6B
7	20 FT	4431001	AIR HOSE "SUPPLY" .625 OD X .375 ID (NOT SHOWN) SHIP LOOSE
8	20 FT	4431002	AIR HOSE "EXHAUST" .750 OD X .500 ID (NOT SHOWN) SHIP LOOSE
9	1	4446201	BARBED FITTING 1/2 HOSE ID X 1/4 NPT
10	1	TP-4723701	NSP MANUAL CD (NOT SHOWN)
11	1	WD-46276	WIRING DIAGRAM

APPROX. WT:212.6 lbmass

THIRD ANGLE PROJECTION



UNLESS OTHERWISE SPECIFIED DIMENSIONS ARE IN INCHES.
TOLERANCES ON DECIMALS ANGLES
0 = ± 0.030 ± 1/2°
00 = ± 0.010
000 = ± 0.005
FRACTIONAL ± 1/64"
1. ALL INSIDE EDGES TO HAVE .005" TO .035" FILLETS.
2. ALL OUTSIDE EDGES TO HAVE .005" TO .015" CHAMFER OR RADIUS.
125√ ON ALL MACHINED SURFACES

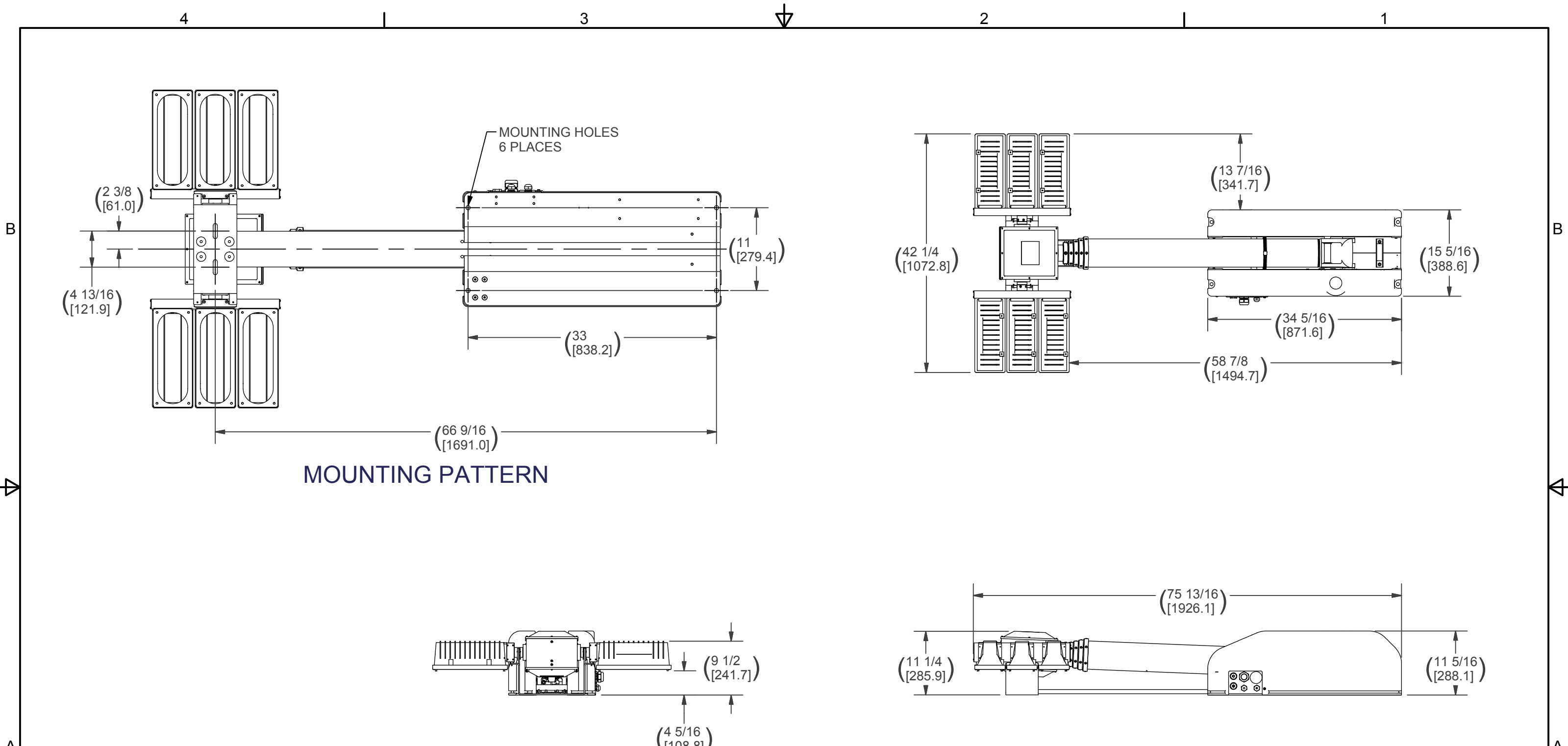
PROPRIETARY AND CONFIDENTIAL
THE INFORMATION CONTAINED IN THIS DRAWING IS THE SOLE PROPERTY OF THE WILL-BURT COMPANY ANY REPRODUCTION IN PART OR WHOLE WITHOUT THE WRITTEN PERMISSION OF THE WILL-BURT COMPANY IS PROHIBITED.

W3 AN EMPLOYEE OWNED COMPANY
WILL-BURT ORRVILLE, OH

TITLE
NS 15-4500-6 MGN-110V

APPROVALS	DATE
DRAWN RCC	6/4/2012
CHECKED	

SIZE	DWG NO	REV
B	721516010	N
PN: 721516010		SHEET 1 OF 2



MOUNTING PATTERN

APPROX. WT:212.6 lbmass

THIRD ANGLE PROJECTION



**UNLESS OTHERWISE SPECIFIED
DIMENSIONS ARE IN INCHES.**
 TOLERANCES ON DECIMALS ANGLES
 0 = ± 0.030 ± 1/2°
 00 = ± 0.010
 000 = ± 0.005
 FRACTIONAL ± 1/64"
 1. ALL INSIDE EDGES TO HAVE
 .005" TO .035" FILLETS.
 2. ALL OUTSIDE EDGES TO HAVE
 .005" TO .015" CHAMFER OR RADIUS.
 125√ ON ALL MACHINED SURFACES

PROPRIETARY AND CONFIDENTIAL
 THE INFORMATION CONTAINED IN THIS
 DRAWING IS THE SOLE PROPERTY OF THE
 WILL-BURT COMPANY ANY
 REPRODUCTION IN PART OR WHOLE
 WITHOUT THE WRITTEN PERMISSION OF
 THE WILL-BURT COMPANY IS PROHIBITED.

WB AN EMPLOYEE OWNED COMPANY
 WILL-BURT ORRVILLE, OH

TITLE
NS 15-4500-6 MGN-110V

APPROVALS	DATE
DRAWN RCC	6/4/2012
CHECKED	

SIZE	DWG NO	REV
B	721516010	N
PN:	721516010	SHEET 2 OF 2