

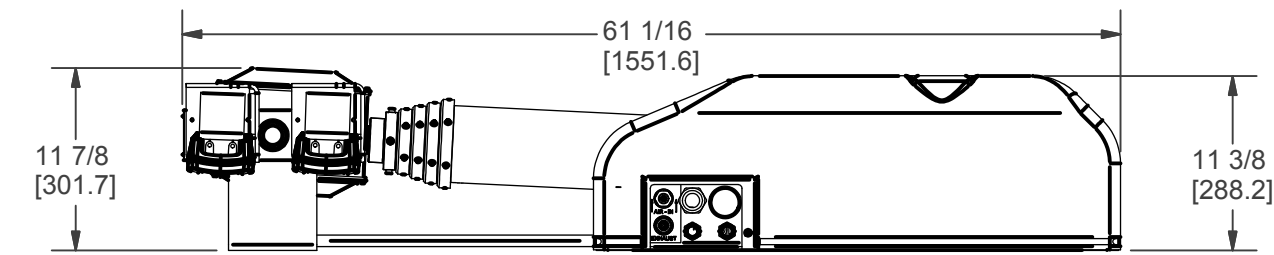
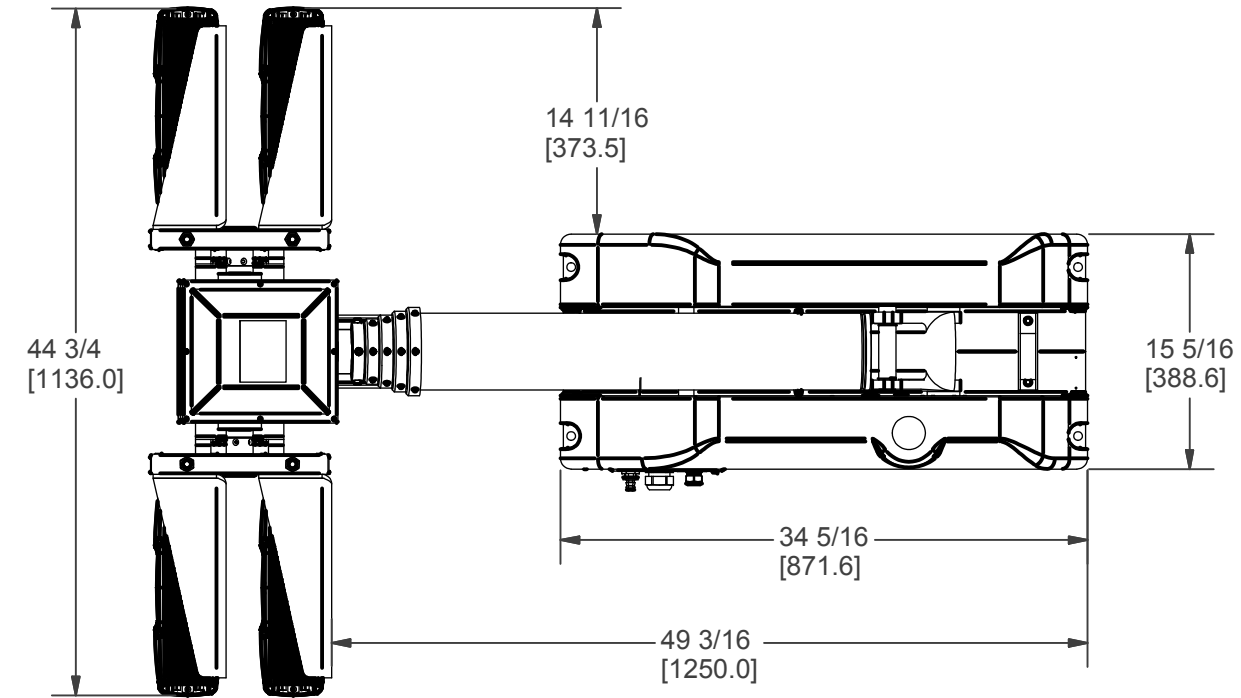
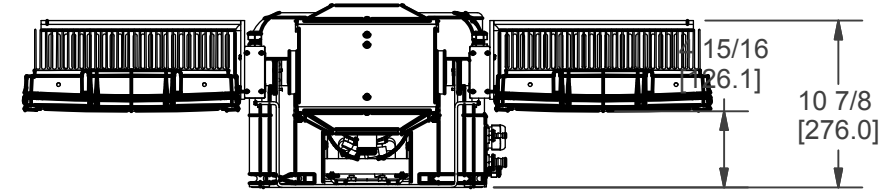
Table		
PART NUMBER	DESCRIPTION	ITEM-3 P/N
721077012	NS 3.0 880 (4X220W) ABSS 240VAC	4921302
721077014	NS 3.0 880 (4X220W) ABSS 120VAC	4921301

REVISION HISTORY				
ECN	REV	DESCRIPTION	DATE	BY/APPR
12384	00	INITIAL RELEASE	9/24/2014	RCC
12751	A	Added New P/N 721077014	6/03/2015	RCC

B
A

NOTES:

- 1 APPLY RTV #739 OR EQUAL TO ALL OPEN HOLES
- 2 SEE WIRING DIAGRAM WD-46276 FOR WIRING DETAILS
- 3 SET LIGHT BARS HOME POSITION PARALLEL TO BASE PLATE WHEN STOWED
- 4 APPLY LOCTITE #242 OR EQUAL TO ALL THREADS UNLESS OTHERWISE NOTED
- 5 APPLY A COAT OF SILICONE GREASE TO RCP MOTOR BORES PRIOR TO SHAFTS BEING INSTALLED
- 6 INSTALL GROUND WIRE ASSEMBLY TO BOARD AND RCP HOUSING



NOTES:
SECONDARY DIMENSIONS - MILLIMETERS NOTED IN BRACKETS

BOM			
ITEM	QTY	PART NUMBER	DESCRIPTION
1	1	4627603	BASE ASSEMBLY POWERLITE 10 FT CLR
2	1	4742501	RCP ASSEMBLY NSP STD
3	1	SEE TABLE	KIT, LIGHT ABSS 880W (4)X220
4	1	4706703	LABEL KIT-CLEAR CE (NOT SHOWN)
5	1	4807801	KIT, SHIPPING NSP (NOT SHOWN)

APPROX. WT:182.0 lbmass



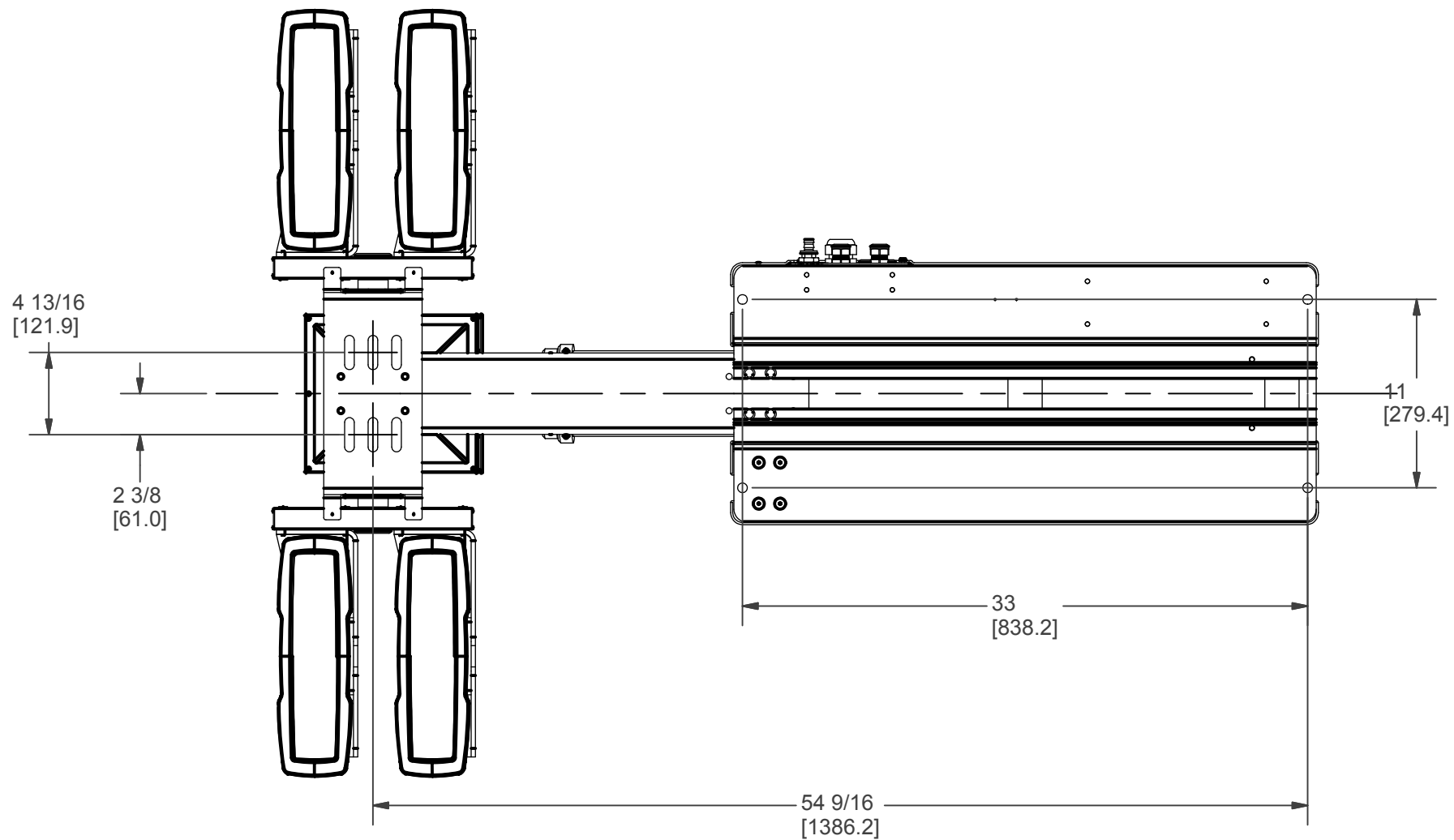
UNLESS OTHERWISE SPECIFIED
DIMENSIONS ARE IN INCHES.
TOLERANCES ON DECIMALS ANGLES
0 = ± 0.030 ± 1/2°
00 = ± 0.015
000 = ± 0.010
FRACTIONAL ± 1/64"
1. ALL INSIDE EDGES TO HAVE
.005" TO .035" FILLETS.
2. ALL OUTSIDE EDGES TO HAVE
.005" TO .015" CHAMFER OR RADIUS.
125 ON ALL MACHINED SURFACES

PROPRIETARY AND CONFIDENTIAL
THE INFORMATION CONTAINED IN THIS DRAWING IS THE SOLE PROPERTY OF THE WILL-BURT COMPANY ANY REPRODUCTION IN PART OR WHOLE WITHOUT THE WRITTEN PERMISSION OF THE WILL-BURT COMPANY IS PROHIBITED.



APPROVALS	DATE
DRAWN RCC	9/24/2014
CHECKED	

TITLE NS 3.0 880 (4X220W) ABSS VAC	
SIZE B	DWG NO 721077012
REV A	
PN: 721077012	SHEET 1 OF 2



MOUNTING (BOLT PATTERN)
(BOTTOM VIEW)

APPROX. WT:182.0 lbmass

THIRD ANGLE PROJECTION



UNLESS OTHERWISE SPECIFIED
DIMENSIONS ARE IN INCHES.

TOLERANCES ON DECIMALS ANGLES
 0 = ± 0.030 ± 1/2°
 00 = ± 0.015
 000 = ± 0.010
 FRACTIONAL ± 1/64"

1. ALL INSIDE EDGES TO HAVE
.005" TO .035" FILLETS.
 2. ALL OUTSIDE EDGES TO HAVE
.005" TO .015" CHAMFER OR RADIUS.

$\sqrt{125}$ ON ALL MACHINED SURFACES

PROPRIETARY AND CONFIDENTIAL

THE INFORMATION CONTAINED IN THIS DRAWING IS THE SOLE PROPERTY OF THE WILL-BURT COMPANY ANY REPRODUCTION IN PART OR WHOLE WITHOUT THE WRITTEN PERMISSION OF THE WILL-BURT COMPANY IS PROHIBITED.

WB AN EMPLOYEE OWNED COMPANY
WILL-BURT ORRVILLE, OH

TITLE
**NS 3.0 880 (4X220W)
ABSS VAC**

APPROVALS	DATE	SIZE	DWG NO	REV
DRAWN RCC	9/24/2014	B	721077012	A
CHECKED		PN:	721077012	SHEET 2 OF 2