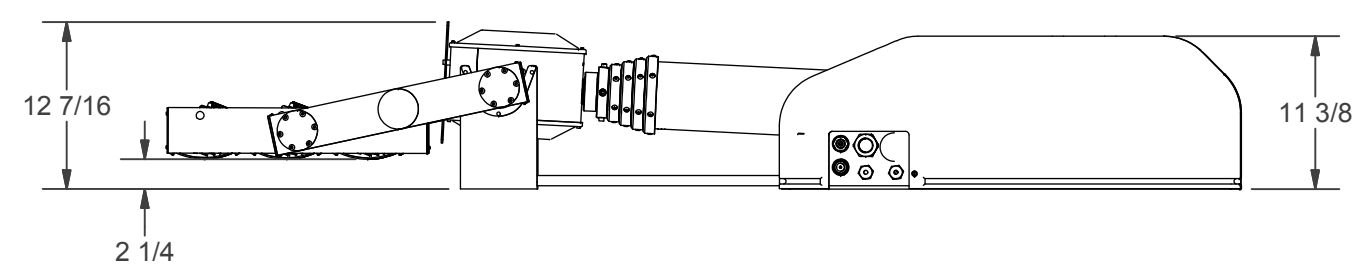
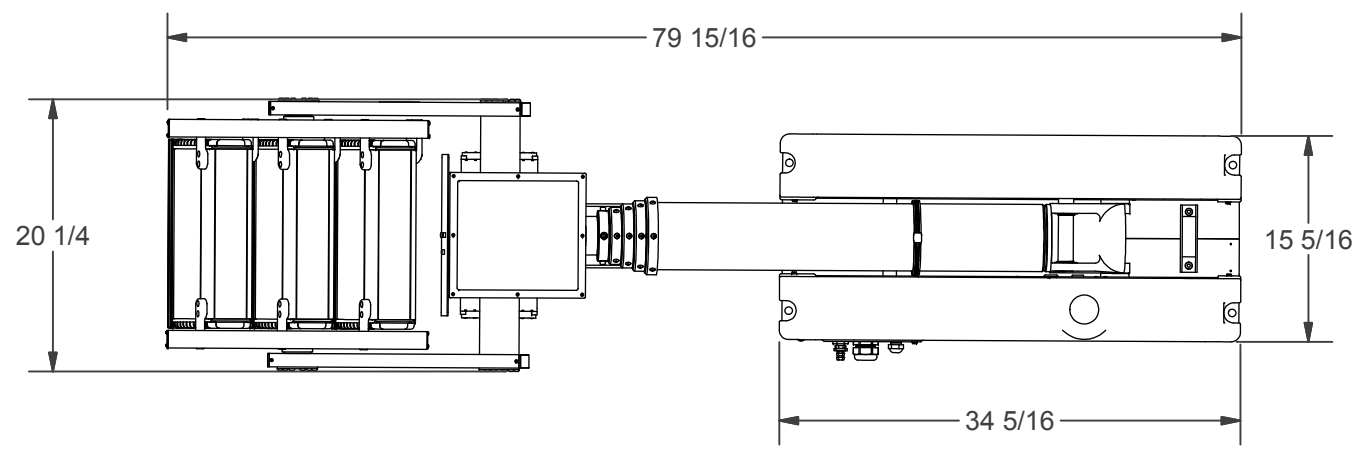


REVISION HISTORY				
ECN	REV	DESCRIPTION	DATE	APPROVED
11091	N	RESTRUCTURED BOM	6/18/2012	RCC\



BOM			
ITEM	QTY	PART NUMBER	DESCRIPTION
1	1	4811701	PROFILER 3000W OPTIMUM
2	1	4822603	BASE ASM POWERLITE PROFILER10 FT CLR
3	1	4706701	NSP LABEL KIT (NOT SHOWN)
4	1	900600	MAST OIL (NOT SHOWN)
5	1	911184	SHIPPING CARTON (NOT SHOWN)
6	1	TP-4723701	NSP MANUAL CD (NOT SHOWN)
7	1	WD-46276	WIRING DIAGRAM

UNLESS OTHERWISE SPECIFIED DIMENSIONS ARE IN INCHES.
 TOLERANCES ON DECIMALS ANGLES
 0 = ± 0.030 ± 1/2°
 00 = ± 0.010
 000 = ± 0.005
 FRACTIONAL ± 1/64"
 1. ALL INSIDE EDGES TO HAVE .005" TO .035" FILLETS.
 2. ALL OUTSIDE EDGES TO HAVE .005" TO .015" CHAMFER OR RADIUS.
 125√ ON ALL MACHINED SURFACES

APPROX. WT:150.0 lbmass
 THIRD ANGLE PROJECTION

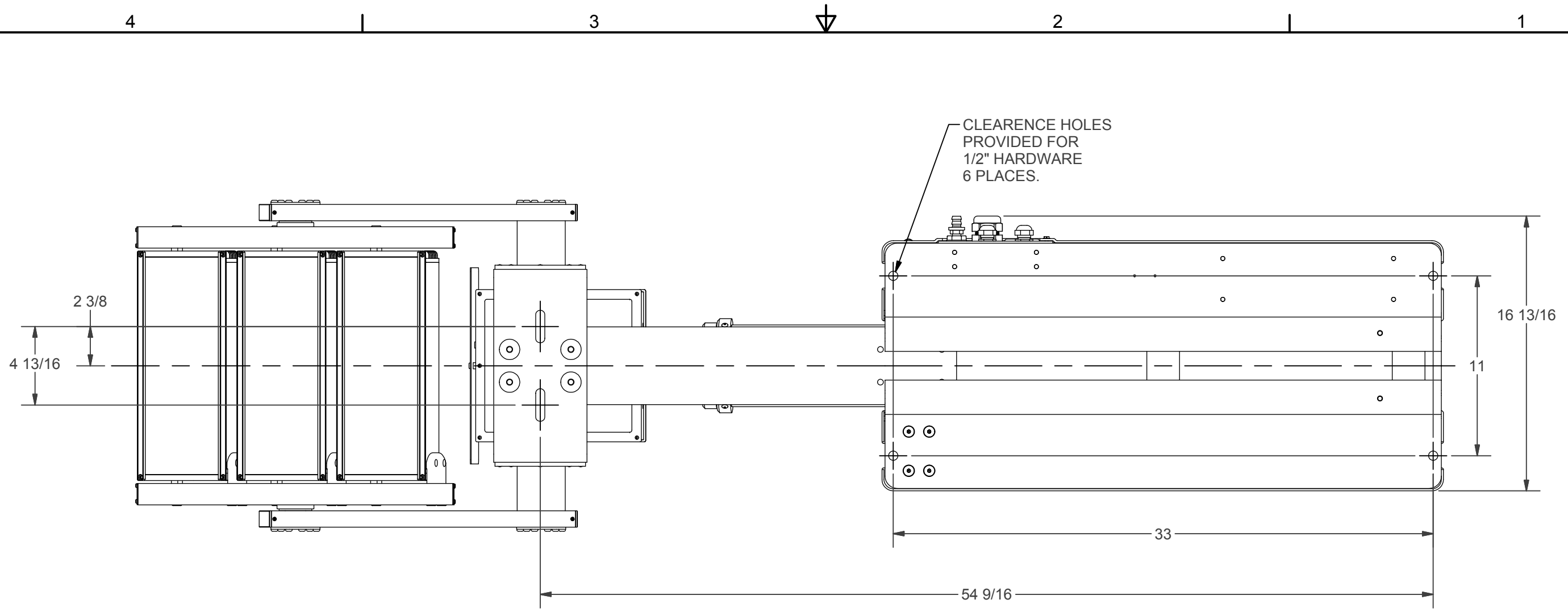
PROPRIETARY AND CONFIDENTIAL
 THE INFORMATION CONTAINED IN THIS DRAWING IS THE SOLE PROPERTY OF THE WILL-BURT COMPANY ANY REPRODUCTION IN PART OR WHOLE WITHOUT THE WRITTEN PERMISSION OF THE WILL-BURT COMPANY IS PROHIBITED.

APPROVALS	DATE
DRAWN RCC	6/18/2012
CHECKED	

WILL-BURT AN EMPLOYEE OWNED COMPANY ORRVILLE, OH

TITLE
NS 3.0-3000 OPTIMUM PROFILER 220V

SIZE B	DWG NO 721076010	REV N
PN: 721076010	SHEET 1 OF 2	



BOTTOM VIEW
MOUNTING BOLT PATTERN

APPROX. WT:150.0 lbmass

THIRD ANGLE PROJECTION



**UNLESS OTHERWISE SPECIFIED
DIMENSIONS ARE IN INCHES.**
TOLERANCES ON DECIMALS ANGLES
0 = ± 0.030 ± 1/2°
.00 = ± 0.010
.000 = ± 0.005
FRACTIONAL ± 1/64"
1. ALL INSIDE EDGES TO HAVE
.005" TO .035" FILLETS.
2. ALL OUTSIDE EDGES TO HAVE
.005" TO .015" CHAMFER OR RADIUS.
125√ ON ALL MACHINED SURFACES

PROPRIETARY AND CONFIDENTIAL
THE INFORMATION CONTAINED IN THIS
DRAWING IS THE SOLE PROPERTY OF THE
WILL-BURT COMPANY ANY
REPRODUCTION IN PART OR WHOLE
WITHOUT THE WRITTEN PERMISSION OF
THE WILL-BURT COMPANY IS PROHIBITED.

WB AN EMPLOYEE OWNED COMPANY
WILL-BURT ORRVILLE, OH

TITLE
**NS 3.0-3000 OPTIMUM
PROFILER 220V**

APPROVALS	DATE
DRAWN RCC	6/18/2012
CHECKED	

SIZE	DWG NO	REV
B	721076010	N
PN: 721076010		SHEET 2 OF 2