

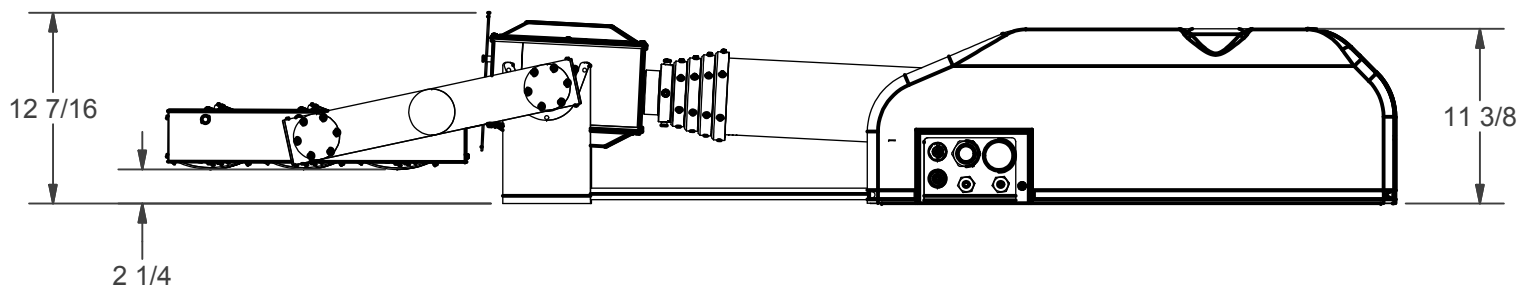
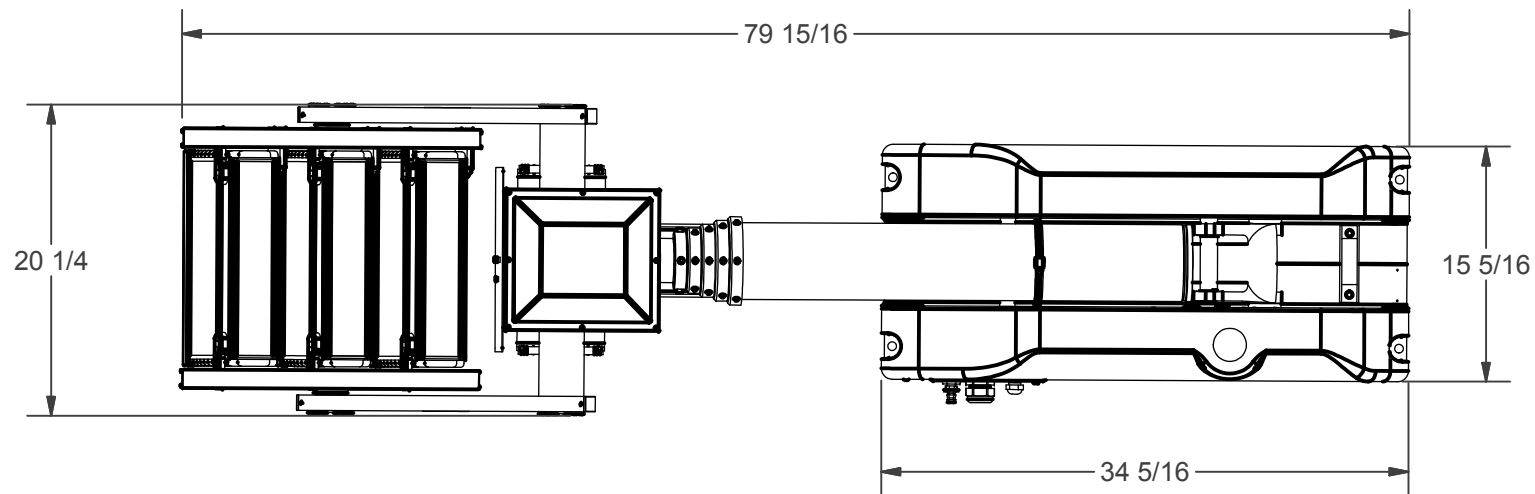
4

3

2

1

REVISION HISTORY				
ECN	REV	DESCRIPTION	DATE	APPROVED
11794	00	INITIAL RELEASE	9/20/2013	RCC



BOM			
ITEM	QTY	PART NUMBER	DESCRIPTION
1	1	4822603	BASE ASM POWERLITE PROFILER10 FT CLR
2	1	4979601	OPTIMUM PROFILER 3000W 120VAC
3	1	4706703	LABEL KIT-CLEAR CE (NOT SHOWN)
4	1	4807801	KIT, SHIPPING NSP (NOT SHOWN)
5	1	911184	SHIPPING CARTON (NOT SHOWN)
6	1	TP-4723701	NSP MANUAL CD (NOT SHOWN)
7	1	WD-46276	WIRING DIAGRAM

**UNLESS OTHERWISE SPECIFIED DIMENSIONS ARE IN INCHES.**  
 TOLERANCES ON DECIMALS ANGLES  
 0 = ± 0.030 ± 1/2°  
 00 = ± 0.010  
 000 = ± 0.005  
 FRACTIONAL ± 1/64"  
 1. ALL INSIDE EDGES TO HAVE  
 .005" TO .035" FILLETS.  
 2. ALL OUTSIDE EDGES TO HAVE  
 .005" TO .015" CHAMFER OR RADIUS.  
 125√ ON ALL MACHINED SURFACES

**PROPRIETARY AND CONFIDENTIAL**  
 THE INFORMATION CONTAINED IN THIS DRAWING IS THE SOLE PROPERTY OF THE WILL-BURT COMPANY ANY REPRODUCTION IN PART OR WHOLE WITHOUT THE WRITTEN PERMISSION OF THE WILL-BURT COMPANY IS PROHIBITED.

**WILL-BURT AN EMPLOYEE OWNED COMPANY**  
 ORRVILLE, OH

**TITLE**  
 NS 3.0-3000 3X1000W OPT PRFLR 120V

APPROX. WT:149.5 lbmass

THIRD ANGLE PROJECTION



APPROVALS	DATE
DRAWN RCC	9/20/2013
CHECKED	

SIZE	DWG NO	REV
B	721076009	00

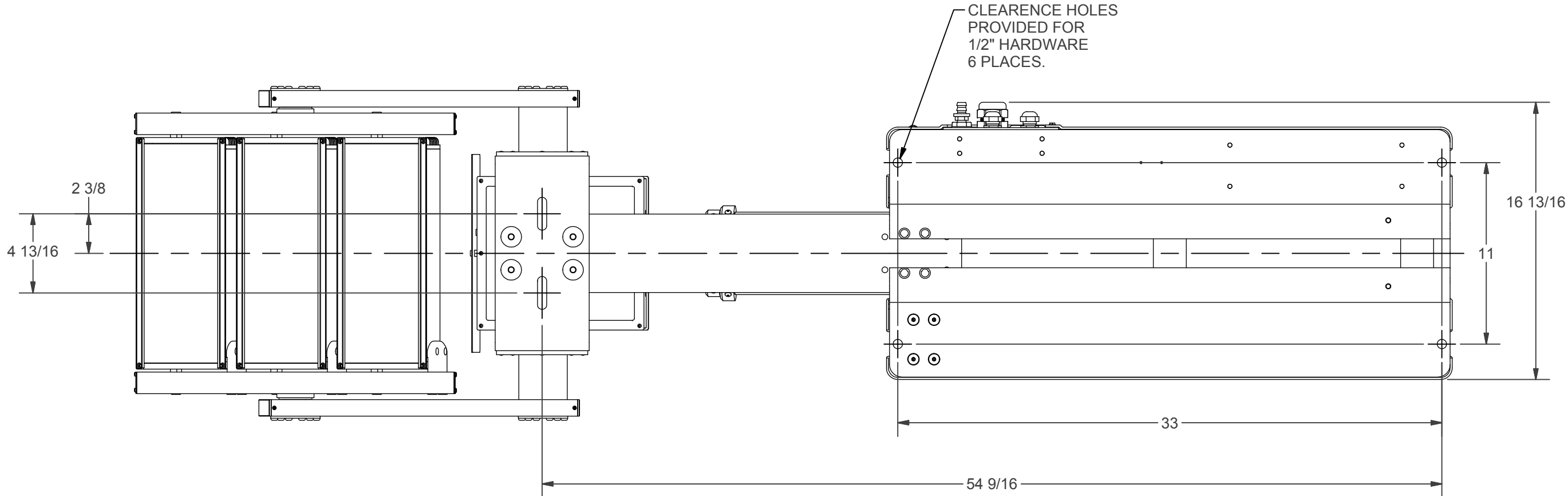
PN: 721076009 SHEET 1 OF 2

4

3

2

1



BOTTOM VIEW  
MOUNTING BOLT PATTERN

APPROX. WT:149.5 lbmass

THIRD ANGLE PROJECTION



**UNLESS OTHERWISE SPECIFIED  
DIMENSIONS ARE IN INCHES.**  
TOLERANCES ON DECIMALS ANGLES  
0 = ± 0.030 ± 1/2°  
.00 = ± 0.010  
000 = ± 0.005  
FRACTIONAL ± 1/64"  
1. ALL INSIDE EDGES TO HAVE  
.005" TO .035" FILLETS.  
2. ALL OUTSIDE EDGES TO HAVE  
.005" TO .015" CHAMFER OR RADIUS.  
125√ ON ALL MACHINED SURFACES

**PROPRIETARY AND CONFIDENTIAL**  
THE INFORMATION CONTAINED IN THIS  
DRAWING IS THE SOLE PROPERTY OF THE  
WILL-BURT COMPANY ANY  
REPRODUCTION IN PART OR WHOLE  
WITHOUT THE WRITTEN PERMISSION OF  
THE WILL-BURT COMPANY IS PROHIBITED.

**WB** AN EMPLOYEE OWNED COMPANY  
WILL-BURT ORRVILLE, OH

TITLE  
**NS 3.0-3000 3X1000W OPT  
PRFLR 120V**

APPROVALS	DATE
DRAWN RCC	9/20/2013
CHECKED	

SIZE	DWG NO	REV
B	721076009	00
PN: 721076009		SHEET 2 OF 2