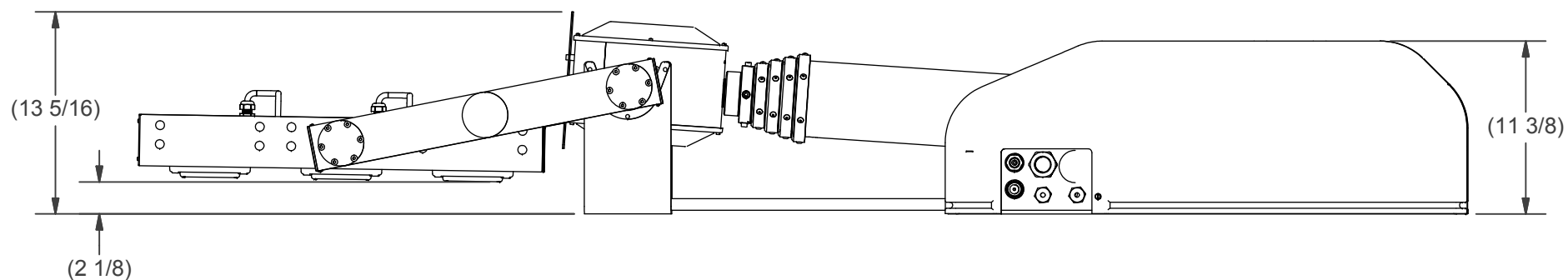
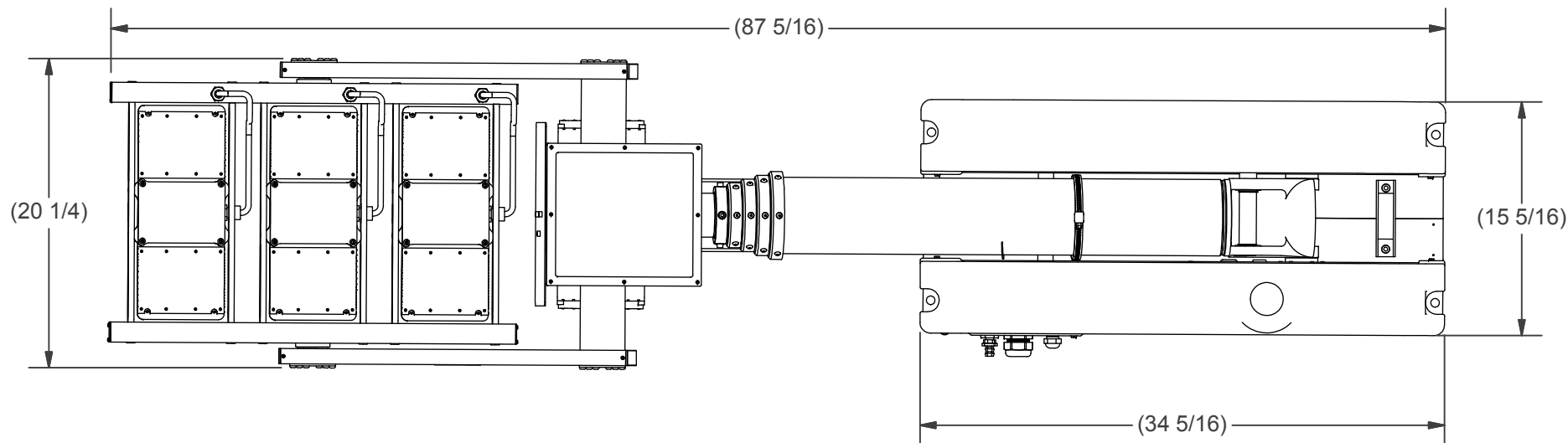


REVISION HISTORY				
ECN	REV	DESCRIPTION	DATE	APPROVED
12281	00	INITIAL RELEASE	7/8/2014	RCC



BOM			
ITEM	QTY	PART NUMBER	DESCRIPTION
1	1	4822603	BASE ASM POWERLITE PROFILER10 FT CLR
2	1	5078401	PROFILER 1010W SPC MAX LED 120V
3	1	4706703	LABEL KIT-CLEAR CE (NOT SHOWN)
4	1	911184	SHIPPING CARTON (NOT SHOWN)
5	1	TP-4723701	NSP MANUAL CD (NOT SHOWN)
6	1	WD-721020	WIRING DIAGRAM

**UNLESS OTHERWISE SPECIFIED DIMENSIONS ARE IN INCHES.**  
TOLERANCES ON DECIMALS ANGLES  
0 = ± 0.030 ± 1/2°  
00 = ± 0.010  
000 = ± 0.005  
FRACTIONAL ± 1/64"  
1. ALL INSIDE EDGES TO HAVE .005" TO .035" FILLETS.  
2. ALL OUTSIDE EDGES TO HAVE .005" TO .015" CHAMFER OR RADIUS.  
125√ ON ALL MACHINED SURFACES

APPROX. WT:171.3 lbmass

THIRD ANGLE PROJECTION

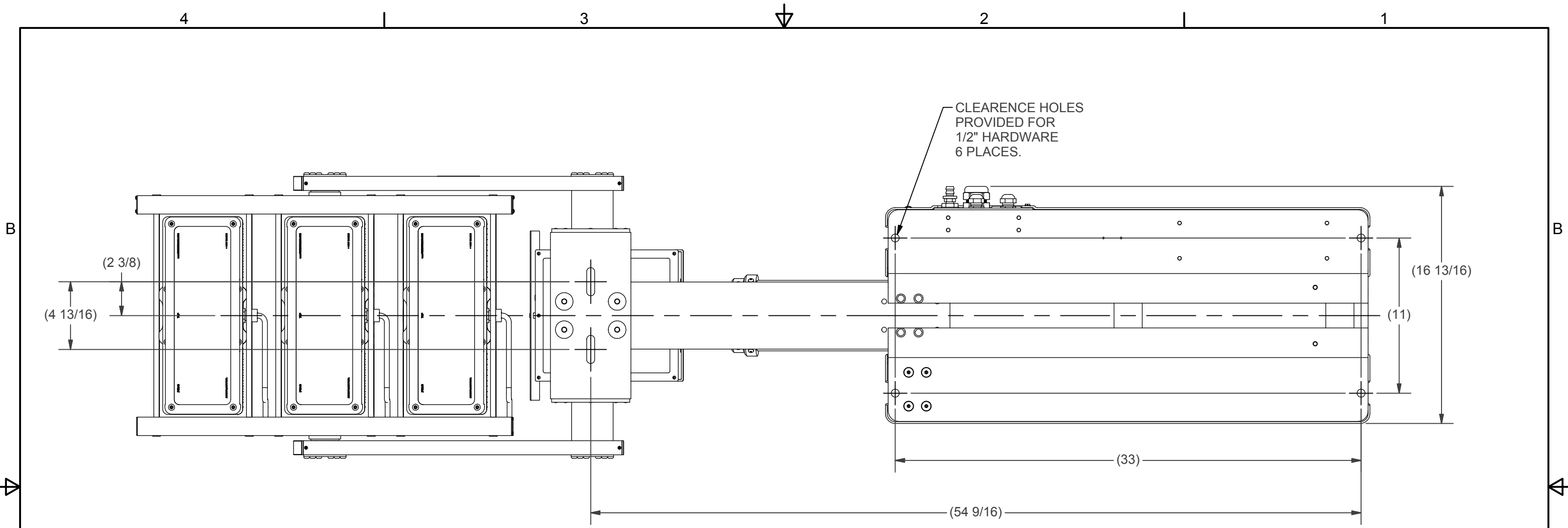


**PROPRIETARY AND CONFIDENTIAL**  
THE INFORMATION CONTAINED IN THIS DRAWING IS THE SOLE PROPERTY OF THE WILL-BURT COMPANY ANY REPRODUCTION IN PART OR WHOLE WITHOUT THE WRITTEN PERMISSION OF THE WILL-BURT COMPANY IS PROHIBITED.

**WB** AN EMPLOYEE OWNED COMPANY  
WILL-BURT ORRVILLE, OH

TITLE  
**NS 3.0 1010 SPCTR MAX PRFLR 120V WHT**

APPROVALS	DATE	SIZE	DWG NO	REV
DRAWN RCC	7/8/2014	B	721075013	00
CHECKED		PN:	721075013	SHEET 1 OF 2



BOTTOM VIEW  
MOUNTING BOLT PATTERN

APPROX. WT:171.3 lbmass

THIRD ANGLE PROJECTION



**UNLESS OTHERWISE SPECIFIED  
DIMENSIONS ARE IN INCHES.**  
 TOLERANCES ON DECIMALS ANGLES  
 0 = ± 0.030 ± 1/2°  
 00 = ± 0.010  
 000 = ± 0.005  
 FRACTIONAL ± 1/64"  
 1. ALL INSIDE EDGES TO HAVE  
 .005" TO .035" FILLETS.  
 2. ALL OUTSIDE EDGES TO HAVE  
 .005" TO .015" CHAMFER OR RADIUS.  
 125° ON ALL MACHINED SURFACES

**PROPRIETARY AND CONFIDENTIAL**  
 THE INFORMATION CONTAINED IN THIS  
 DRAWING IS THE SOLE PROPERTY OF THE  
 WILL-BURT COMPANY ANY  
 REPRODUCTION IN PART OR WHOLE  
 WITHOUT THE WRITTEN PERMISSION OF  
 THE WILL-BURT COMPANY IS PROHIBITED.

**WB** AN EMPLOYEE OWNED COMPANY  
 WILL-BURT ORRVILLE, OH

TITLE  
**NS 3.0 1010 SPCTR MAX  
 PRFLR 120V WHT**

APPROVALS	DATE
DRAWN RCC	7/8/2014
CHECKED	

SIZE	DWG NO	REV
B	721075013	00
PN: 721075013		SHEET 2 OF 2