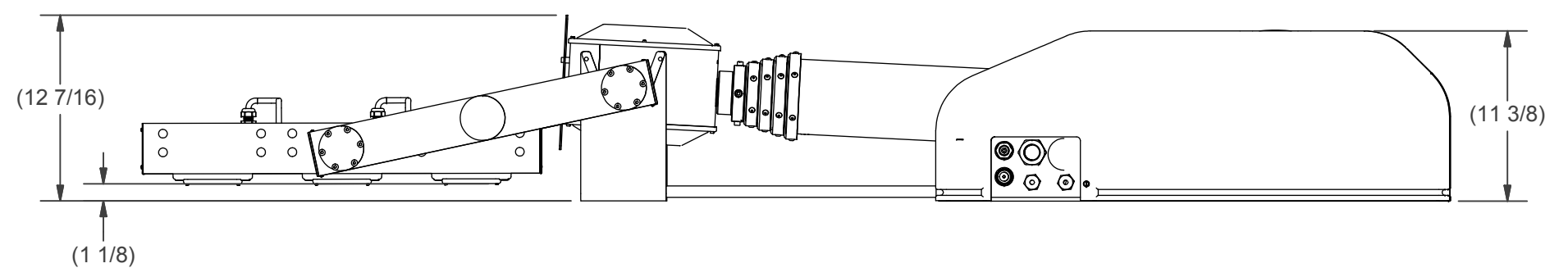
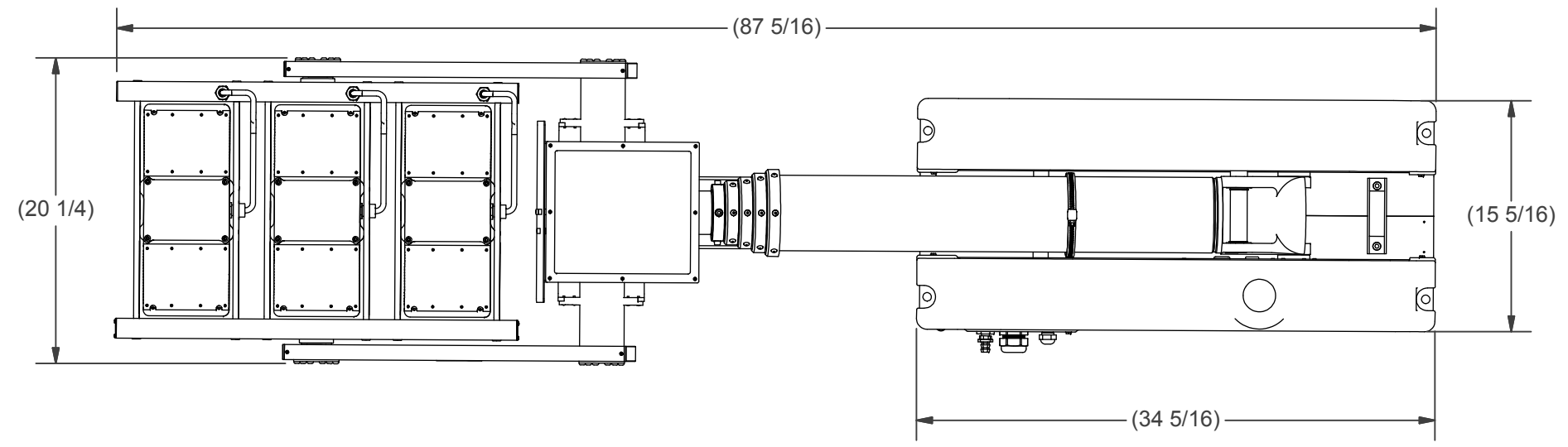


REVISION HISTORY				
ECN	REV	DESCRIPTION	DATE	APPROVED
11182	00	RESTRUCTURED BOM	8/7/2012	RCC\
11235	A	REPLACED 4706701 WITH 4706703	8/30/2012	CJY



BOM			
ITEM	QTY	PART NUMBER	DESCRIPTION
1	1	4822603	BASE ASM POWERLITE PROFILER10 FT CLR
2	1	4834001	PROFILER 690W SPC LED 120V
3	1	4706703	LABEL KIT-CLEAR CE (NOT SHOWN)
4	1	900600	MAST OIL (NOT SHOWN)
5	1	911184	SHIPPING CARTON (NOT SHOWN)
6	1	TP-4723701	NSP MANUAL CD (NOT SHOWN)
7	1	WD-721020	WIRING DIAGRAM

APPROX. WT:171.3 lbmass  
 THIRD ANGLE PROJECTION

**UNLESS OTHERWISE SPECIFIED DIMENSIONS ARE IN INCHES.**  
 TOLERANCES ON DECIMALS ANGLES  
 0 = ± 0.030 ± 1/2°  
 00 = ± 0.010  
 000 = ± 0.005  
 FRACTIONAL ± 1/64"  
 1. ALL INSIDE EDGES TO HAVE .005" TO .035" FILLETS.  
 2. ALL OUTSIDE EDGES TO HAVE .005" TO .015" CHAMFER OR RADIUS.  
 125√ ON ALL MACHINED SURFACES

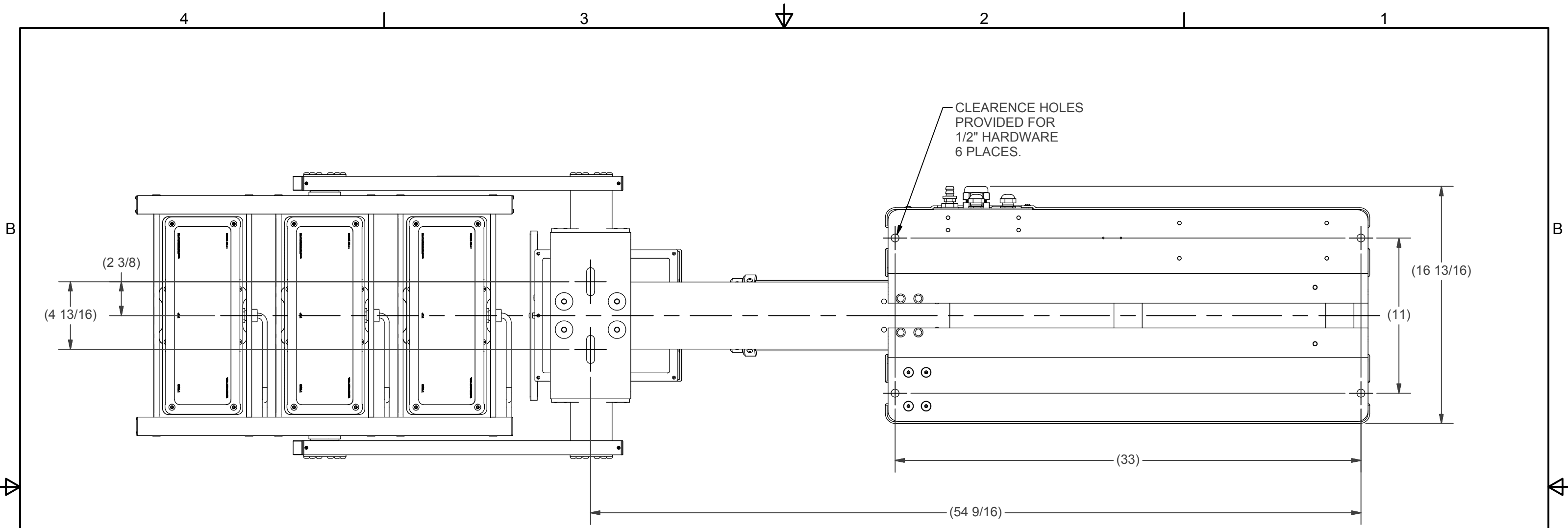
**PROPRIETARY AND CONFIDENTIAL**  
 THE INFORMATION CONTAINED IN THIS DRAWING IS THE SOLE PROPERTY OF THE WILL-BURT COMPANY ANY REPRODUCTION IN PART OR WHOLE WITHOUT THE WRITTEN PERMISSION OF THE WILL-BURT COMPANY IS PROHIBITED.

APPROVALS	DATE
DRAWN RCC	8/7/2012
CHECKED	

**WILL-BURT** AN EMPLOYEE OWNED COMPANY  
 ORRVILLE, OH

TITLE  
**NS 3.0-690 SPECTRA PROFILER 115V**

SIZE B	DWG NO 721075011	REV A
PN: 721075011	SHEET 1 OF 2	



BOTTOM VIEW  
MOUNTING BOLT PATTERN

APPROX. WT:171.3 lbmass  
THIRD ANGLE PROJECTION

UNLESS OTHERWISE SPECIFIED  
DIMENSIONS ARE IN INCHES.  
TOLERANCES ON DECIMALS ANGLES  
0 = ± 0.030 ± 1/2°  
00 = ± 0.010  
000 = ± 0.005  
FRACTIONAL ± 1/64"  
1. ALL INSIDE EDGES TO HAVE  
.005" TO .035" FILLETS.  
2. ALL OUTSIDE EDGES TO HAVE  
.005" TO .015" CHAMFER OR RADIUS.  
125√ ON ALL MACHINED SURFACES

PROPRIETARY AND CONFIDENTIAL  
THE INFORMATION CONTAINED IN THIS  
DRAWING IS THE SOLE PROPERTY OF THE  
WILL-BURT COMPANY ANY  
REPRODUCTION IN PART OR WHOLE  
WITHOUT THE WRITTEN PERMISSION OF  
THE WILL-BURT COMPANY IS PROHIBITED.

APPROVALS	DATE
DRAWN RCC	8/7/2012
CHECKED	

**WB** WILL-BURT AN EMPLOYEE OWNED COMPANY  
ORRVILLE, OH

TITLE  
**NS 3.0-690 SPECTRA  
PROFILER 115V**

SIZE B	DWG NO 721075011	REV A
PN: 721075011	SHEET 2 OF 2	