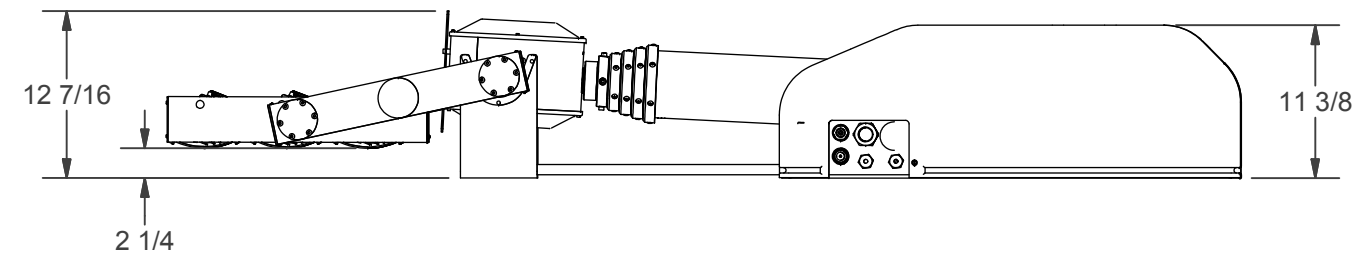
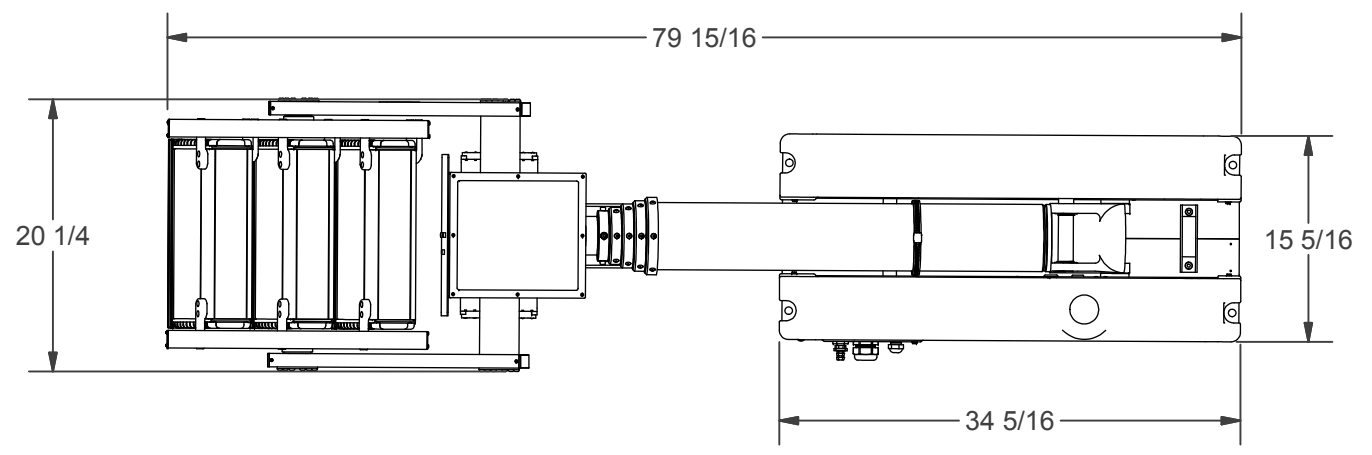


| REVISION HISTORY |     |                  |           |          |
|------------------|-----|------------------|-----------|----------|
| ECN              | REV | DESCRIPTION      | DATE      | APPROVED |
| 11090            | N   | RESTRUCTURED BOM | 6/18/2012 | RCC\     |



| BOM  |     |             |                                      |
|------|-----|-------------|--------------------------------------|
| ITEM | QTY | PART NUMBER | DESCRIPTION                          |
| 1    | 1   | 4811601     | PROFILER 4500W OPTIMUM               |
| 2    | 1   | 4822603     | BASE ASM POWERLITE PROFILER10 FT CLR |
| 3    | 1   | 4706701     | NSP LABEL KIT (NOT SHOWN)            |
| 4    | 1   | 900600      | MAST OIL (NOT SHOWN)                 |
| 5    | 1   | 911184      | SHIPPING CARTON (NOT SHOWN)          |
| 6    | 1   | TP-4723701  | NSP MANUAL CD (NOT SHOWN)            |
| 7    | 1   | WD-46276    | WIRING DIAGRAM                       |

**UNLESS OTHERWISE SPECIFIED DIMENSIONS ARE IN INCHES.**  
TOLERANCES ON DECIMALS ANGLES  
0 = ± 0.030 ± 1/2°  
00 = ± 0.010  
000 = ± 0.005  
FRACTIONAL ± 1/64"  
1. ALL INSIDE EDGES TO HAVE .005" TO .035" FILLETS.  
2. ALL OUTSIDE EDGES TO HAVE .005" TO .015" CHAMFER OR RADIUS.  
125√ ON ALL MACHINED SURFACES

APPROX. WT:N/A  
**THIRD ANGLE PROJECTION**

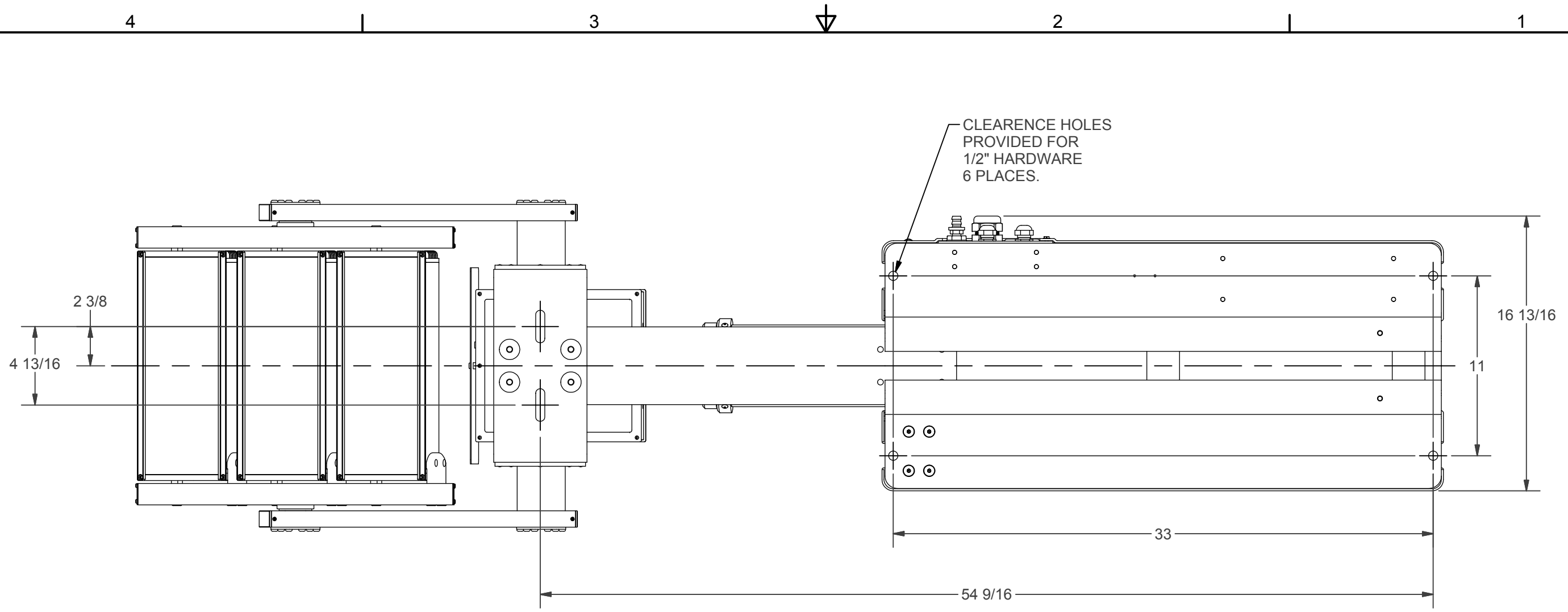
**PROPRIETARY AND CONFIDENTIAL**  
THE INFORMATION CONTAINED IN THIS DRAWING IS THE SOLE PROPERTY OF THE WILL-BURT COMPANY ANY REPRODUCTION IN PART OR WHOLE WITHOUT THE WRITTEN PERMISSION OF THE WILL-BURT COMPANY IS PROHIBITED.

**W3** AN EMPLOYEE OWNED COMPANY  
WILL-BURT ORRVILLE, OH

TITLE  
**NS 3.0-4500 OPTIMUM PROFILER 220V**

|              |           |
|--------------|-----------|
| APPROVALS    | DATE      |
| DRAWN<br>RCC | 6/18/2012 |
| CHECKED      |           |

|                  |                     |          |
|------------------|---------------------|----------|
| SIZE<br>B        | DWG NO<br>721075010 | REV<br>N |
| PN:<br>721075010 | SHEET 1 OF 2        |          |




BOTTOM VIEW  
MOUNTING BOLT PATTERN

APPROX. WT:N/A

THIRD ANGLE PROJECTION



|   |  |   |  |  |  |
|---|--|---|--|--|--|
| <b>UNLESS OTHERWISE SPECIFIED DIMENSIONS ARE IN INCHES.</b><br>TOLERANCES ON DECIMALS    ANGLES<br>0 = ± 0.030                      ± 1/2°<br>00 = ± 0.010<br>000 = ± 0.005<br>FRACTIONAL ± 1/64" |  | <b>PROPRIETARY AND CONFIDENTIAL</b><br>THE INFORMATION CONTAINED IN THIS DRAWING IS THE SOLE PROPERTY OF THE WILL-BURT COMPANY ANY REPRODUCTION IN PART OR WHOLE WITHOUT THE WRITTEN PERMISSION OF THE WILL-BURT COMPANY IS PROHIBITED. |  |  <b>AN EMPLOYEE OWNED COMPANY</b><br>ORRVILLE, OH |  |
|   |  | <b>TITLE</b><br>NS 3.0-4500 OPTIMUM<br>PROFILER 220V  |  |  |  |
| <b>APPROVALS</b><br>DRAWN                      RCC<br>CHECKED   |  | <b>DATE</b><br>6/18/2012  |  | <b>SIZE</b><br>B   |  |
|   |  | <b>DWG NO</b><br>721075010  |  | <b>REV</b><br>N  |  |
|   |  | <b>PN:</b> 721075010  |  | SHEET 2 OF 2   |  |