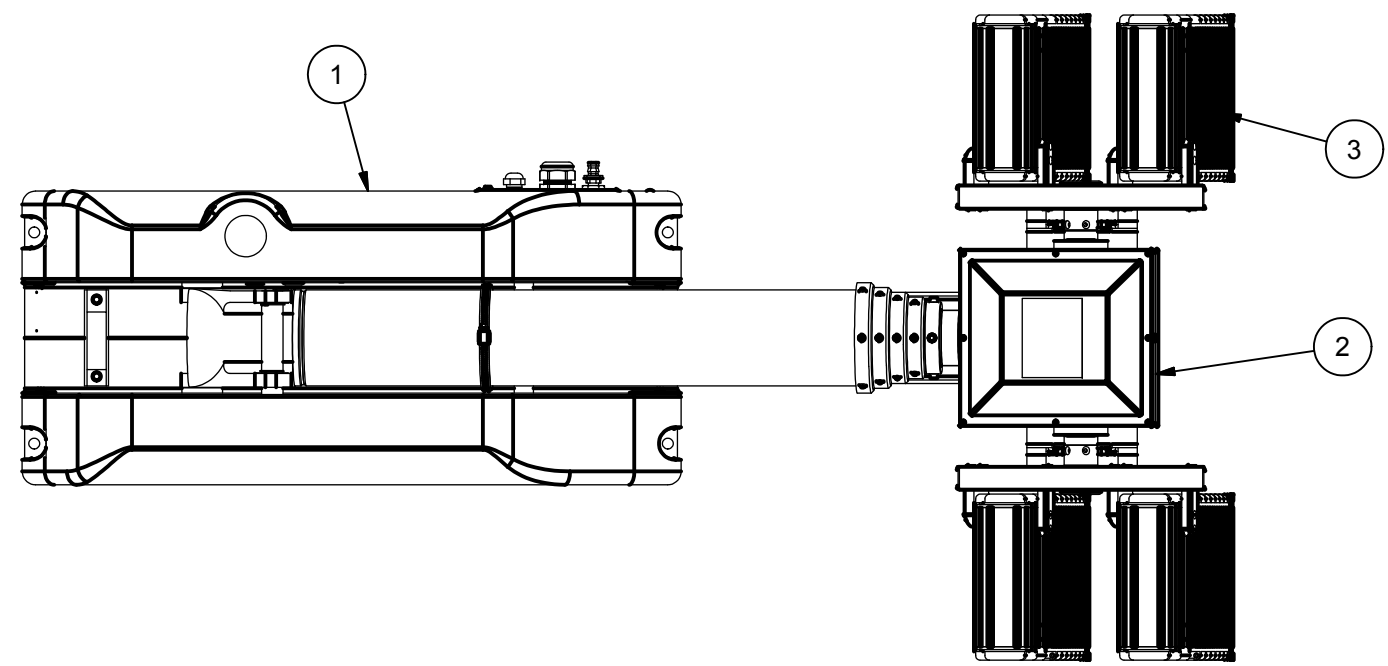


REVISION HISTORY				
ECN	REV	DESCRIPTION	DATE	BY/APPR
11076	N	RESTRUCTURED BOM (41472)	6/8/2012	RCC\



BOM			
ITEM	QTY	PART NUMBER	DESCRIPTION
1	1	4627603	BASE ASSEMBLY NSP
2	1	4742501	RCP ASSEMBLY NSP STD
3	1	4574609	OPT 4 LIGHT, 3000W (4-750W 220VAC) WHT
4	1	4706701	NSP LABEL KIT (NOT SHOWN)
5	1	TP-4723701	NSP MANUAL CD (NOT SHOWN)
6	1	900600	MAST OIL (NOT SHOWN)
7	1	4446201	BARBED FITTING 1/2 HOSE ID X 1/4 NPT
8	20 FT	4431002	AIR HOSE "EXHAUST" .750 OD X .500 ID (NOT SHOWN) SHIP LOOSE
9	20 FT	4431001	AIR HOSE "SUPPLY" .625 OD X .375 ID (NOT SHOWN) SHIP LOOSE

NOTES:

- 1 APPLY RTV #739 OR EQUAL TO ALL OPEN HOLES
- 2 SEE WIRING DIAGRAM WD-46276 FOR WIRING DETAILS
- 3 SET LIGHT BARS HOME POSITION PARALLEL TO BASE PLATE WHEN STOWED
- 4 APPLY LOCTITE #242 OR EQUAL TO ALL THREADS UNLESS OTHERWISE NOTED
- 5 APPLY A COAT OF SILICONE GREASE TO RCP MOTOR BORES PRIOR TO SHAFTS BEING INSTALLED
- 6 INSTALL GROUND WIRE ASSEMBLY TO BOARD AND RCP HOUSING

APPROX. WT:148.3 lbmass

THIRD ANGLE PROJECTION



UNLESS OTHERWISE SPECIFIED  
 DIMENSIONS ARE IN INCHES.  
 TOLERANCES ON DECIMALS ANGLES  
 0 = ± 0.030 ± 1/2°  
 00 = ± 0.010  
 000 = ± 0.005  
 FRACTIONAL ± 1/64"  
 1. ALL INSIDE EDGES TO HAVE .005" TO .035" FILLETS.  
 2. ALL OUTSIDE EDGES TO HAVE .005" TO .015" CHAMFER OR RADIUS.  
 125° ON ALL MACHINED SURFACES

**PROPRIETARY AND CONFIDENTIAL**  
 THE INFORMATION CONTAINED IN THIS DRAWING IS THE SOLE PROPERTY OF THE WILL-BURT COMPANY ANY REPRODUCTION IN PART OR WHOLE WITHOUT THE WRITTEN PERMISSION OF THE WILL-BURT COMPANY IS PROHIBITED.

**WILL-BURT** AN EMPLOYEE OWNED COMPANY  
 ORRVILLE, OH

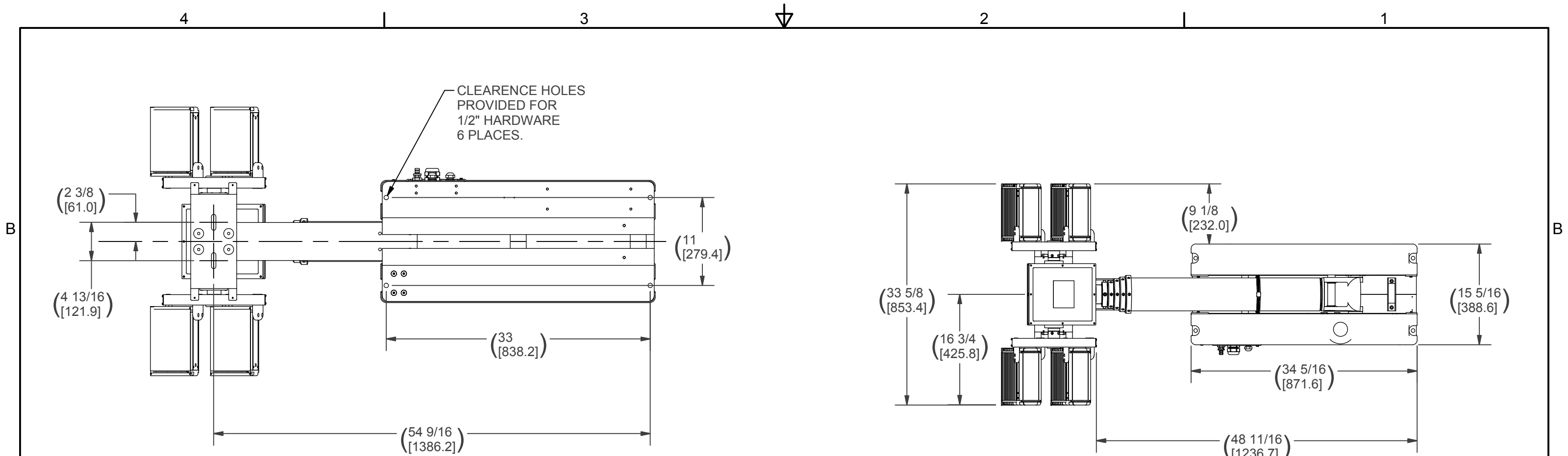
TITLE  
**NS 3.0-3000-4 OPT-220 VAC**

APPROVALS DATE  
 DRAWN RCC 6/8/2012

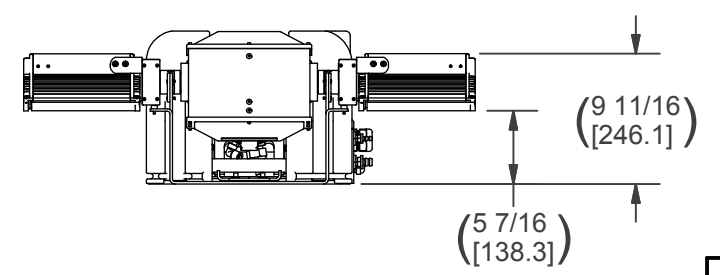
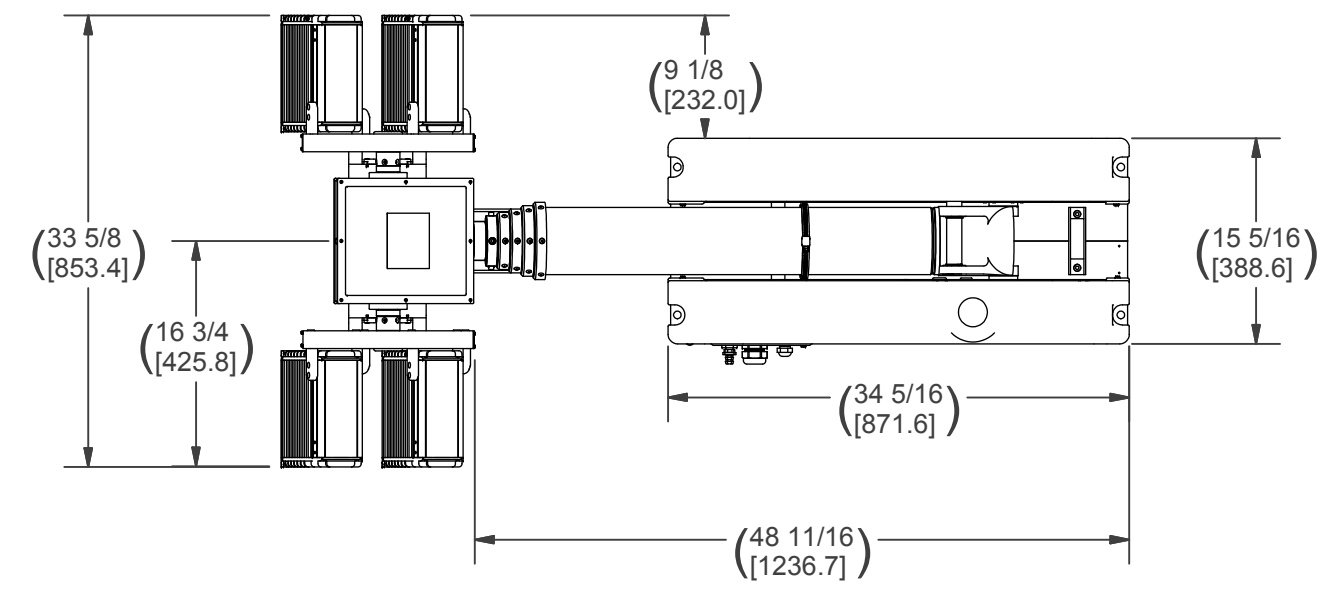
SIZE DWG NO REV  
 B 721064010 N

CHECKED

PN: 721064010 SHEET 1 OF 2



**BOTTOM VIEW  
MOUNTING BOLT PATTERN**



NOTES:  
SECONDARY DIMENSIONS - MILLIMETERS NOTED IN BRACKETS

APPROX. WT:148.3 lbmass

THIRD ANGLE PROJECTION



UNLESS OTHERWISE SPECIFIED  
DIMENSIONS ARE IN INCHES.  
TOLERANCES ON DECIMALS ANGLES  
0 = ± 0.030 ± 1/2°  
00 = ± 0.010  
000 = ± 0.005  
FRACTIONAL ± 1/64"  
1. ALL INSIDE EDGES TO HAVE .005" TO .035" FILLETS.  
2. ALL OUTSIDE EDGES TO HAVE .005" TO .015" CHAMFER OR RADIUS.  
125° ON ALL MACHINED SURFACES

**PROPRIETARY AND CONFIDENTIAL**  
THE INFORMATION CONTAINED IN THIS DRAWING IS THE SOLE PROPERTY OF THE WILL-BURT COMPANY ANY REPRODUCTION IN PART OR WHOLE WITHOUT THE WRITTEN PERMISSION OF THE WILL-BURT COMPANY IS PROHIBITED.

**W3** AN EMPLOYEE OWNED COMPANY  
WILL-BURT ORRVILLE, OH

TITLE  
**NS 3.0-3000-4 OPT-220 VAC**

APPROVALS	DATE
DRAWN RCC	6/8/2012
CHECKED	

SIZE	DWG NO	REV
B	721064010	N
PN: 721064010	SHEET 2 OF 2	