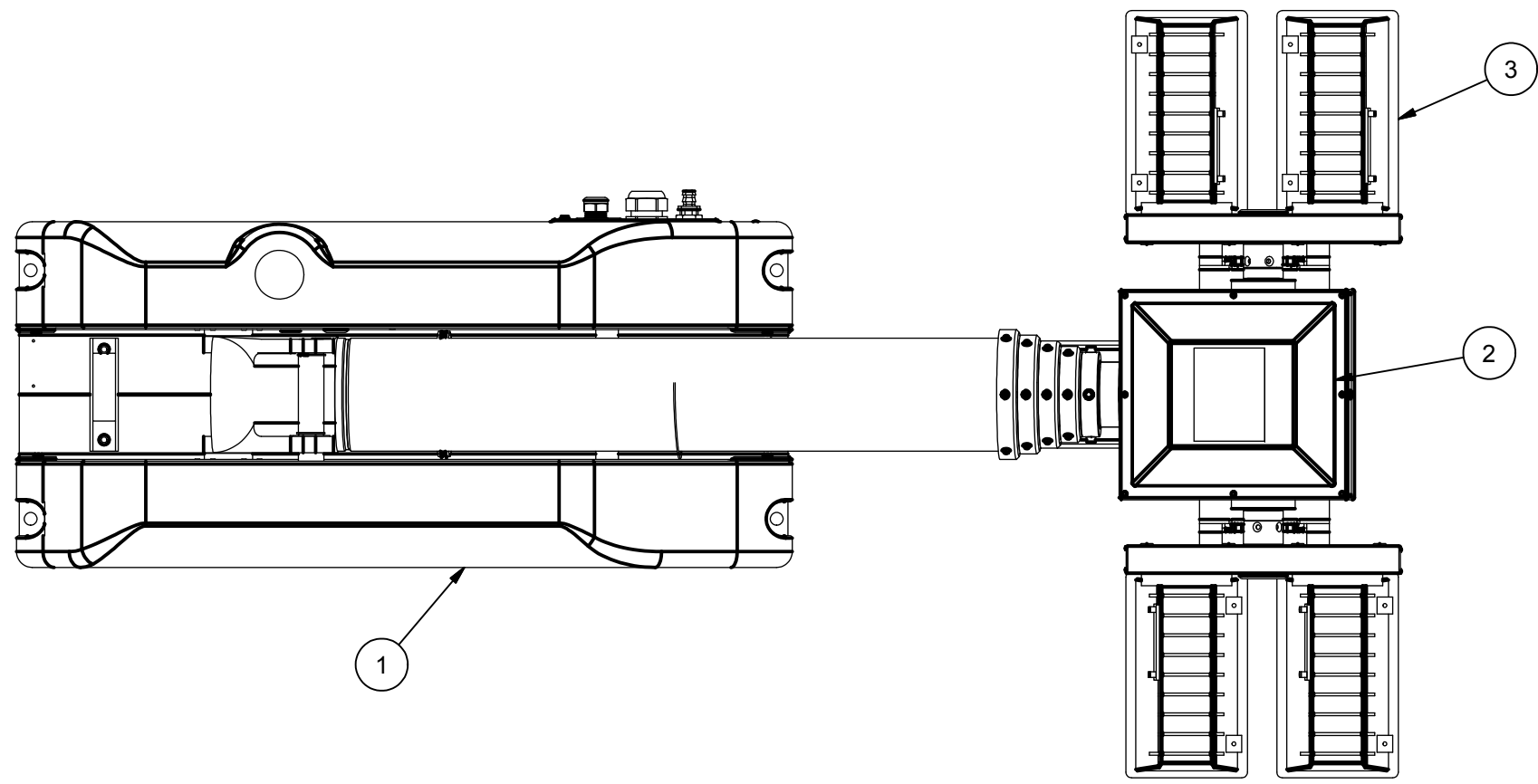


REVISION HISTORY				
ECN	REV	DESCRIPTION	DATE	BY/APPR
10781	00	INITIAL RELEASE	11/07/2011	RCC\
11638	A	RESTRUCTURED BOM	5/29/2013	RCC\



BOM				
ITEM	QTY	PART NUMBER	DESCRIPTION	
1	1	4627603	BASE ASSEMBLY POWERLITE 10 FT CLR	
2	1	4742501	RCP ASSEMBLY NSP STD	
3	1	4590905	MGN 4 LIGHT, 3000W (4-750W 220VAC) WHT	
4	1	4706703	NSP LABEL KIT CE (NOT SHOWN)	
5	1	4807801	KIT, SHIPPING NSP (NOT SHOWN)	

- NOTES:
- 1 APPLY RTV #739 OR EQUAL TO ALL OPEN HOLES
 - 2 SEE WIRING DIAGRAM WD-46276 FOR WIRING DETAILS
 - 3 SET LIGHT BARS HOME POSITION PARALLEL TO BASE PLATE WHEN STOWED
 - 4 APPLY LOCTITE #242 OR EQUAL TO ALL THREADS UNLESS OTHERWISE NOTED
 - 5 APPLY A COAT OF SILICONE GREASE TO RCP MOTOR BORES PRIOR TO SHAFTS BEING INSTALLED
 - 6 INSTALL GROUND WIRE ASSEMBLY TO BOARD AND RCP HOUSING

APPROX. WT:142.1 lbmass
 THIRD ANGLE PROJECTION

UNLESS OTHERWISE SPECIFIED DIMENSIONS ARE IN INCHES.
 TOLERANCES ON DECIMALS ANGLES
 0 = ± 0.030 ± 1/2°
 00 = ± 0.010
 000 = ± 0.005
 FRACTIONAL ± 1/64"
 1. ALL INSIDE EDGES TO HAVE .005" TO .035" FILLETS.
 2. ALL OUTSIDE EDGES TO HAVE .005" TO .015" CHAMFER OR RADIUS.
 125° ON ALL MACHINED SURFACES

PROPRIETARY AND CONFIDENTIAL
 THE INFORMATION CONTAINED IN THIS DRAWING IS THE SOLE PROPERTY OF THE WILL-BURT COMPANY ANY REPRODUCTION IN PART OR WHOLE WITHOUT THE WRITTEN PERMISSION OF THE WILL-BURT COMPANY IS PROHIBITED.

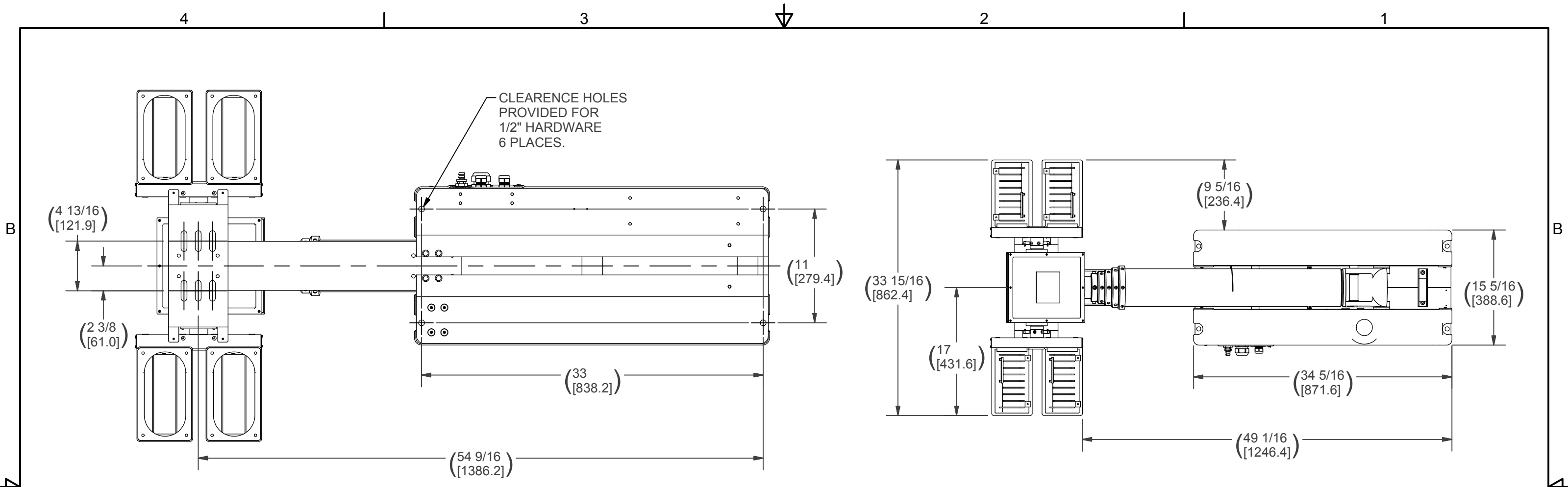
APPROVALS	DATE
DRAWN RCC	11/7/2011
CHECKED	

WILL-BURT AN EMPLOYEE OWNED COMPANY
 ORRVILLE, OH

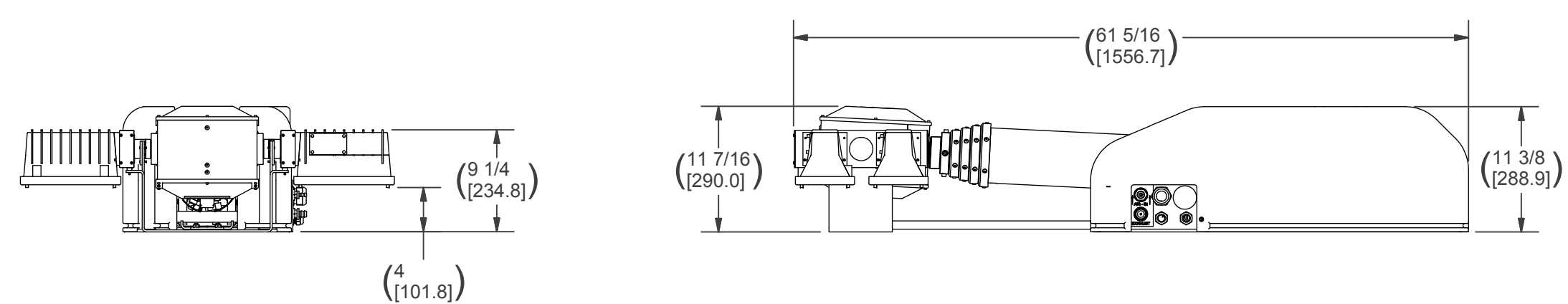
TITLE
NS 3.0 3000 4-MAG 220 VAC

SIZE	DWG NO	REV
B	721015011	A

PN: 721015011 SHEET 1 OF 2



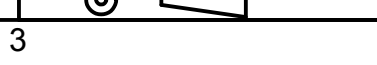
**BOTTOM VIEW
MOUNTING BOLT PATTERN**



NOTES:
SECONDARY DIMENSIONS - MILLIMETERS NOTED IN BRACKETS

APPROX. WT:142.1 lbmass

THIRD ANGLE PROJECTION



UNLESS OTHERWISE SPECIFIED
DIMENSIONS ARE IN INCHES.

TOLERANCES ON DECIMALS ANGLES
0 = ± 0.030 ± 1/2°
00 = ± 0.010
000 = ± 0.005

FRACTIONAL ± 1/64"

1. ALL INSIDE EDGES TO HAVE
.005" TO .035" FILLETS.
2. ALL OUTSIDE EDGES TO HAVE
.005" TO .015" CHAMFER OR RADIUS.
125° ON ALL MACHINED SURFACES

PROPRIETARY AND CONFIDENTIAL

THE INFORMATION CONTAINED IN THIS
DRAWING IS THE SOLE PROPERTY OF THE
WILL-BURT COMPANY ANY REPRODUCTION
IN PART OR WHOLE WITHOUT THE WRITTEN
PERMISSION OF THE WILL-BURT COMPANY IS
PROHIBITED.

APPROVALS	DATE
DRAWN RCC	11/7/2011
CHECKED	

WB WILL-BURT		AN EMPLOYEE OWNED COMPANY ORRVILLE, OH	
TITLE NS 3.0 3000 4-MAG 220 VAC			
SIZE B	DWG NO 721015011	REV A	
PN: 721015011		SHEET 2 OF 2	