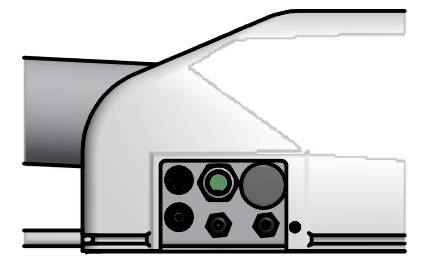
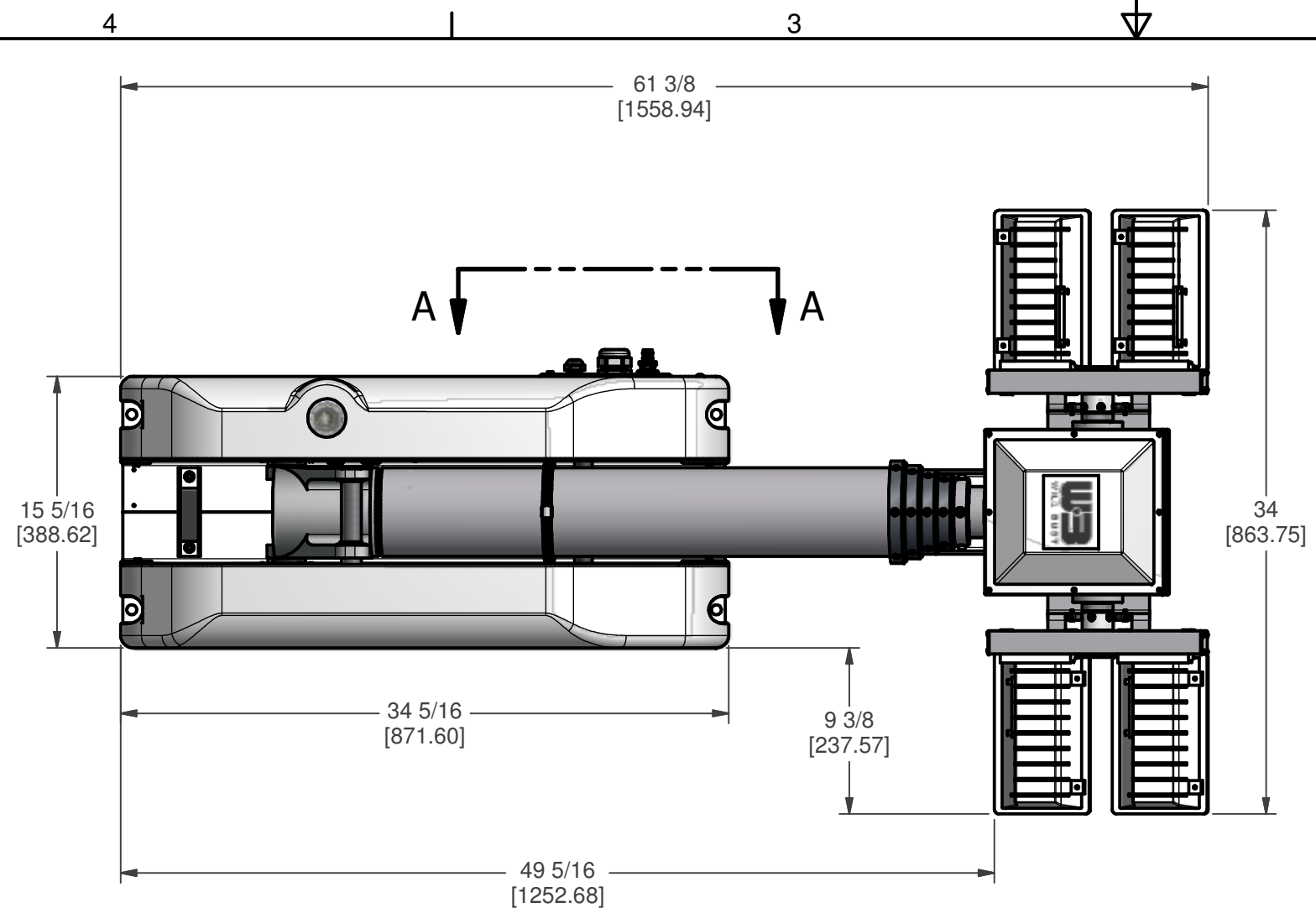
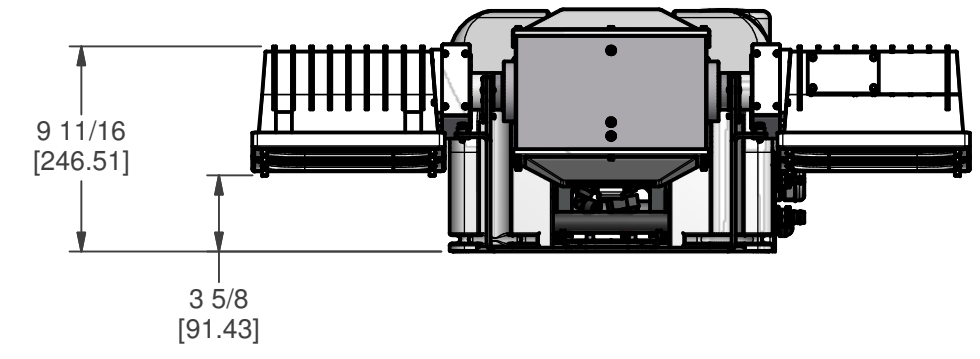
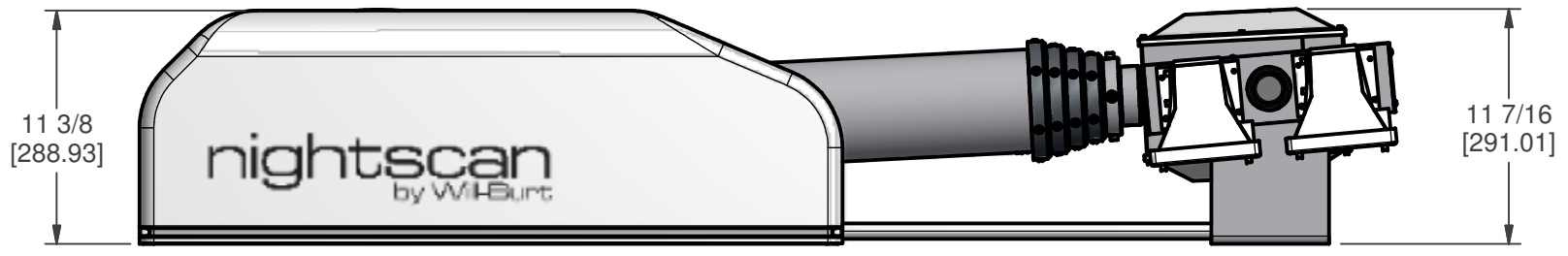
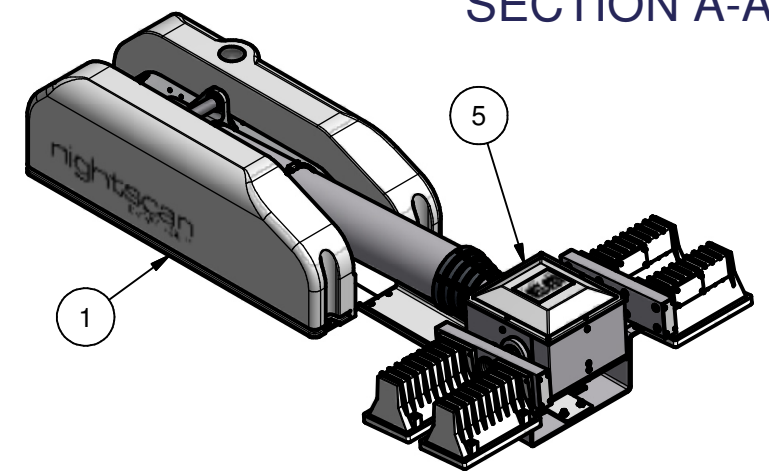


REVISION HISTORY				
ECN	REV	DESCRIPTION	DATE	APPROVED
11123	N	INITIAL DRAWING	7/19/2012	DAS



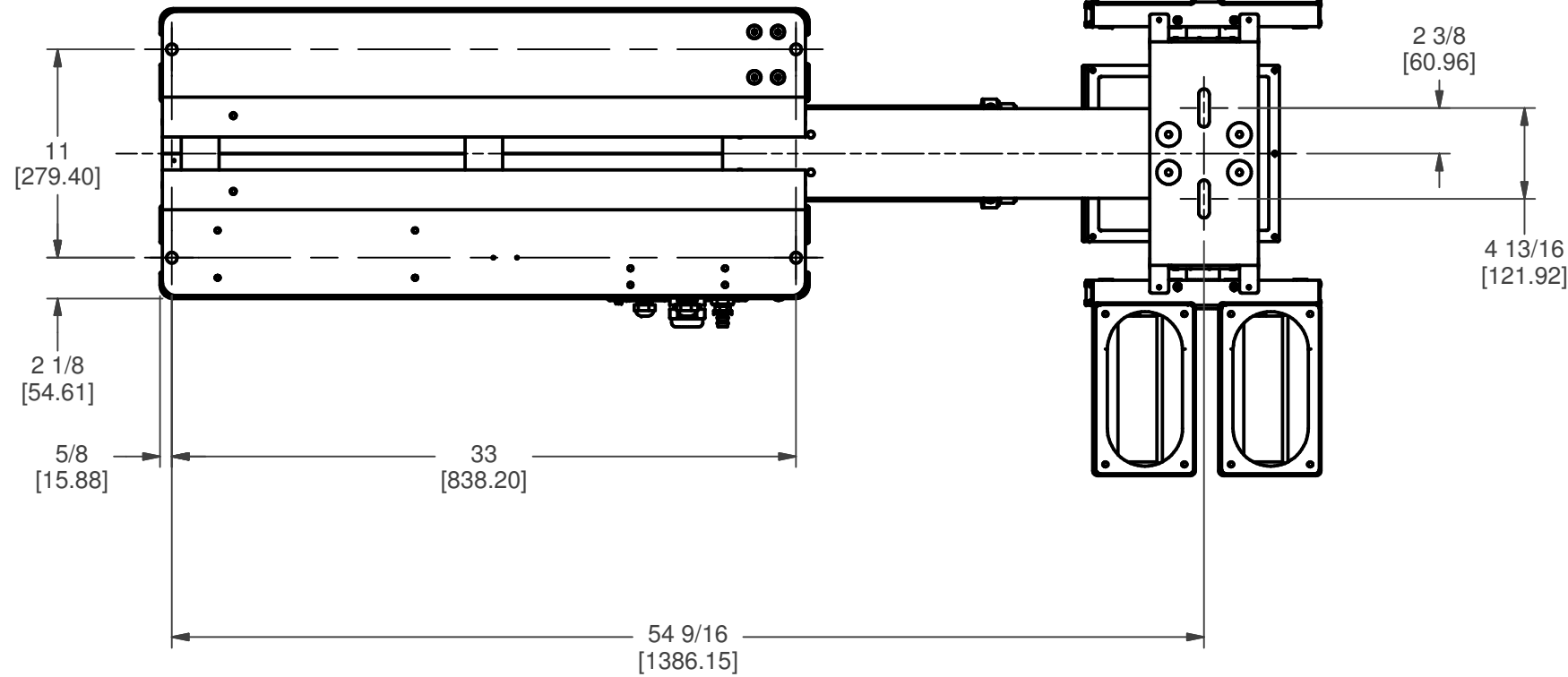
SECTION A-A



NOTE:
SECONDARY DIMENSIONS - MILLIMETERS NOTED IN BRACKETS

MATERIAL	UNLESS OTHERWISE SPECIFIED DIMENSIONS ARE IN INCHES. TOLERANCES ON: DIMENSIONS ±0.005 ANGLES ±1° 1. ALL ANGLES 90° 2. ALL INSIDE EDGES TO HAVE .005" TO .035" FILLETS. 3. ALL OUTSIDE EDGES TO HAVE .005" TO .015" CHAMFER OR RADIUS. 125 ON ALL MACHINED SURFACES	PROPRIETARY AND CONFIDENTIAL THE INFORMATION CONTAINED IN THIS DRAWING IS THE SOLE PROPERTY OF THE WILL-BURT COMPANY ANY REPRODUCTION IN PART OR WHOLE WITHOUT THE WRITTEN PERMISSION OF THE WILL-BURT COMPANY IS PROHIBITED.		WILL-BURT AN EMPLOYEE OWNED COMPANY ORRVILLE, OH	
FINISH				TITLE NS 3.0-3000 MAGNAFIRE 110 VAC	
APPROX. WT:141.9 lbmass				APPROVALS DRAWN: dasmith CHECKED:	DATE 7/19/2012
THIRD ANGLE PROJECTION			PN: 721015010	SHEET 1 OF 2	

**BOTTOM VIEW
MOUNTING BOLT PATTERN**



NOTE:

- 1 APPLY RTV #739 OR EQUAL TO ALL OPEN HOLES
- 2 SEE WIRING DIAGRAM WD-46276 FOR WIRING DETAILS
- 3 SET LIGHT BARS HOME POSITION PARALLEL TO BASE PLATE WHEN STOWED
- 4 APPLY LOCTITE #242 OR EQUAL TO ALL THREADS UNLESS OTHERWISE NOTED
- 5 APPLY A COAT OF SILICONE GREASE TO RCP MOTOR BORES PRIOR TO SHAFTS BEING INSTALLED

BOM			
ITEM	QTY	PART NUMBER	DESCRIPTION
1	1	4627603	BASE ASSEMBLY NSP
2	1	4807801	KIT, SHIPPING NSP (NOT SHOWN)
3	1	4590903	MGN 4 LIGHT, 3000W (4-750W 110VAC) WHT
4	1	4706701	NSP LABEL KIT (NOT SHOWN)
5	1	4742501	RCP ASSEMBLY NSP STD

MATERIAL	UNLESS OTHERWISE SPECIFIED DIMENSIONS ARE IN INCHES. TOLERANCES ON: DIMENSIONS ±0.005 ANGLES ±1° 1. ALL ANGLES 90° 2. ALL INSIDE EDGES TO HAVE .005" TO .035" FILLETS. 3. ALL OUTSIDE EDGES TO HAVE .005" TO .015" CHAMFER OR RADIUS. 125 [√] ON ALL MACHINED SURFACES	PROPRIETARY AND CONFIDENTIAL THE INFORMATION CONTAINED IN THIS DRAWING IS THE SOLE PROPERTY OF THE WILL-BURT COMPANY ANY REPRODUCTION IN PART OR WHOLE WITHOUT THE WRITTEN PERMISSION OF THE WILL-BURT COMPANY IS PROHIBITED.		AN EMPLOYEE OWNED COMPANY ORRVILLE, OH	
FINISH		APPROVALS DRAWN: dasmith CHECKED:	DATE 7/19/2012	SIZE B	DWG NO 721015010
APPROX. WT:141.9 lbmass	THIRD ANGLE PROJECTION	PN: 721015010		SHEET 2 OF 2	