

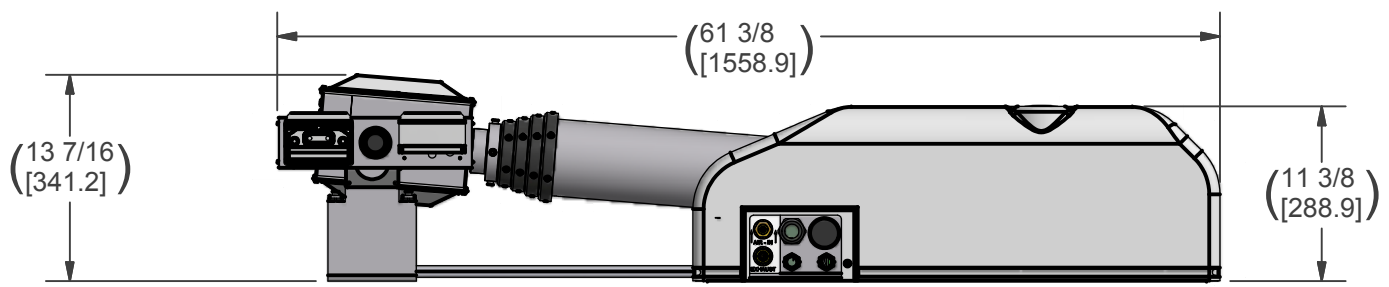
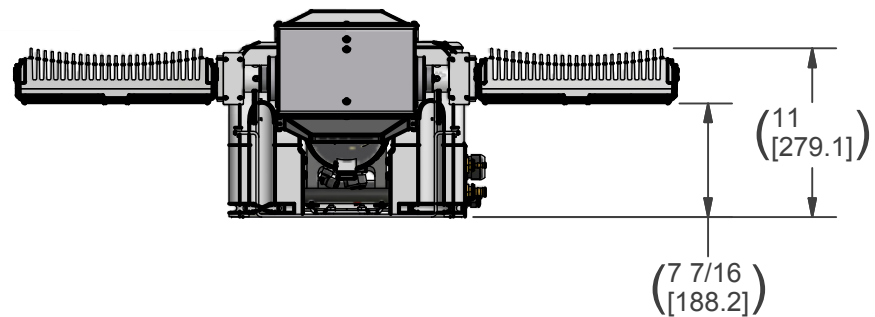
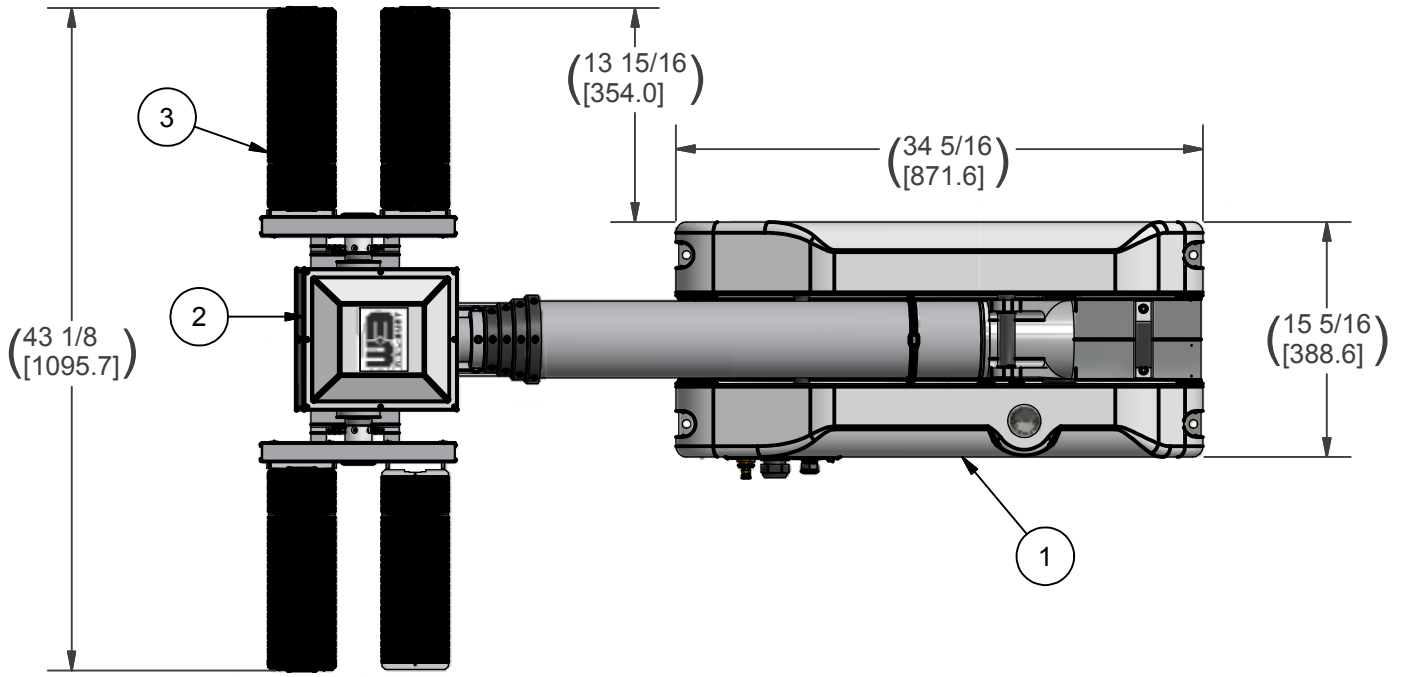
REVISION HISTORY				
ECN	REV	DESCRIPTION	DATE	BY/APPR
12152	00	INITIAL RELEASE	5/05/2014	RCC

NOTES:

- 1 APPLY RTV #739 OR EQUAL TO ALL OPEN HOLES
- 2 SEE WIRING DIAGRAM WD-47397 FOR WIRING DETAILS
- 3 SET LIGHT BARS HOME POSITION PARALLEL TO BASE PLATE WHEN STOWED
- 4 APPLY LOCTITE #242 OR EQUAL TO ALL THREADS UNLESS OTHERWISE NOTED
- 5 APPLY A COAT OF SILICONE GREASE TO RCP MOTOR BORES PRIOR TO SHAFTS BEING INSTALLED
- 6 INSTALL GROUND WIRE ASSEMBLY TO BOARD AND RCP HOUSING

NOTES:

SECONDARY DIMENSIONS - MILLIMETERS NOTED IN BRACKETS



BOM			
ITEM	QTY	PART NUMBER	DESCRIPTION
1	1	4627603	BASE ASSEMBLY POWERLITE 10 FT CLR
2	1	4742501	RCP ASSEMBLY NSP STD
3	1	5048201	KIT, LIGHT NS XL LED 500W 4X125 12/24VDC
4	1	4706703	NSP LABEL KIT CE (NOT SHOWN)
5	1	4807801	KIT, SHIPPING NSP (NOT SHOWN)

APPROX. WT:162.2 lbmass

THIRD ANGLE PROJECTION



UNLESS OTHERWISE SPECIFIED
DIMENSIONS ARE IN INCHES.
TOLERANCES ON DECIMALS ANGLES
0 = ± 0.030 ± 1/2°
00 = ± 0.015
000 = ± 0.010
FRACTIONAL ± 1/64"
1. ALL INSIDE EDGES TO HAVE
.005" TO .035" FILLETS.
2. ALL OUTSIDE EDGES TO HAVE
.005" TO .015" CHAMFER OR RADIUS.
125√ ON ALL MACHINED SURFACES

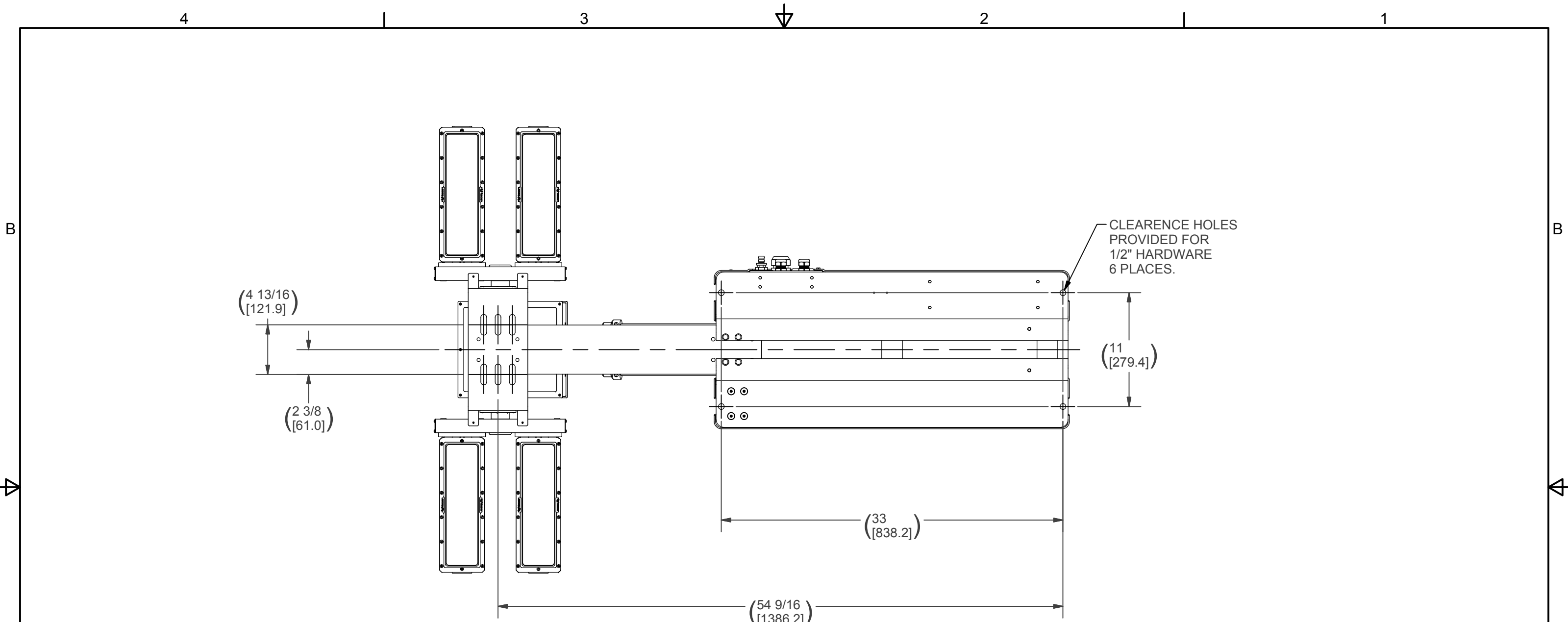
PROPRIETARY AND CONFIDENTIAL
THE INFORMATION CONTAINED IN THIS
DRAWING IS THE SOLE PROPERTY OF THE
WILL-BURT COMPANY ANY
REPRODUCTION IN PART OR WHOLE
WITHOUT THE WRITTEN PERMISSION OF
THE WILL-BURT COMPANY IS PROHIBITED.



TITLE
**NS 3.0 500 4X125W NS-XL
24VDC ONLY WHT**

APPROVALS	DATE
DRAWN RCC	5/5/2014
CHECKED	

SIZE	DWG NO	REV
B	721000125	00
PN: 721000125		SHEET 1 OF 2



**MOUNTING (BOLT PATTERN)
(BOTTOM VIEW)**

APPROX. WT:162.2 lbmass

THIRD ANGLE PROJECTION



**UNLESS OTHERWISE SPECIFIED
DIMENSIONS ARE IN INCHES.**
TOLERANCES ON DECIMALS ANGLES
0 = ± 0.030 ± 1/2°
.00 = ± 0.015
000 = ± 0.010
FRACTIONAL ± 1/64"
1. ALL INSIDE EDGES TO HAVE
.005" TO .035" FILLETS.
2. ALL OUTSIDE EDGES TO HAVE
.005" TO .015" CHAMFER OR RADIUS.
125
ON ALL MACHINED SURFACES

PROPRIETARY AND CONFIDENTIAL
THE INFORMATION CONTAINED IN THIS
DRAWING IS THE SOLE PROPERTY OF THE
WILL-BURT COMPANY ANY
REPRODUCTION IN PART OR WHOLE
WITHOUT THE WRITTEN PERMISSION OF
THE WILL-BURT COMPANY IS PROHIBITED.

WB AN EMPLOYEE OWNED COMPANY
WILL-BURT ORRVILLE, OH

TITLE
**NS 3.0 500 4X125W NS-XL
24VDC ONLY WHT**

APPROVALS	DATE
DRAWN RCC	5/5/2014
CHECKED	

SIZE	DWG NO	REV
B	721000125	00
PN: 721000125		SHEET 2 OF 2