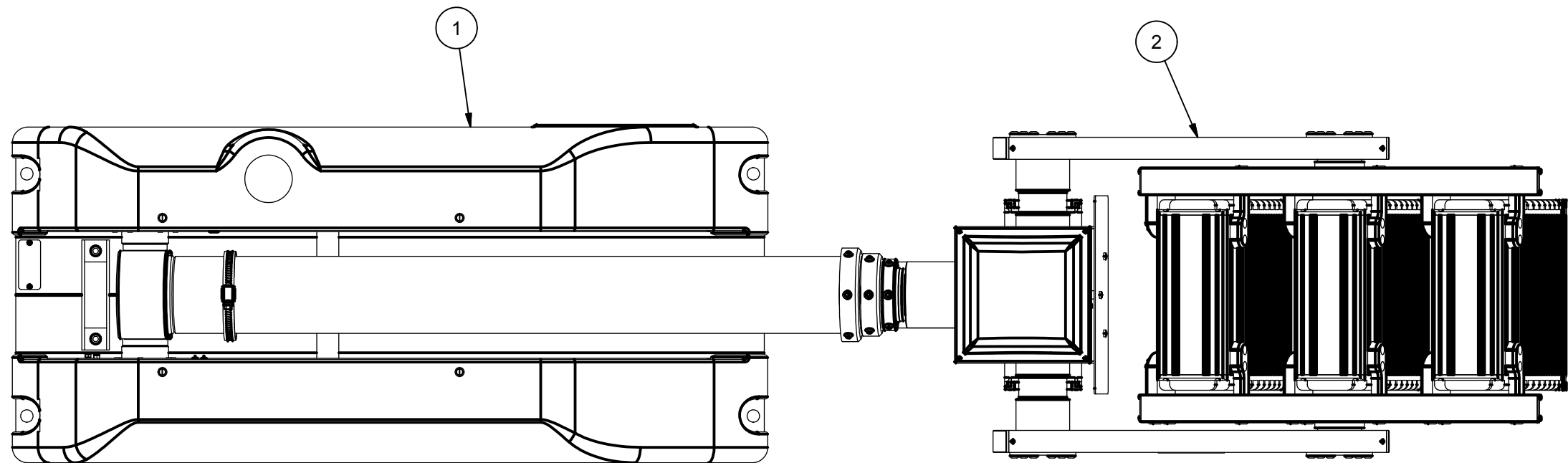


| REVISION HISTORY | | | | |
|------------------|-----|-----------------|----------|----------|
| ECN | REV | DESCRIPTION | DATE | APPROVED |
| 13075 | 00 | INITIAL RELEASE | 2/1/2016 | RCC |



NOTE:
MUST USE 914206 SHIPPING CREATE TO SHIP.

| BOM | | | |
|------|-----|-------------|--|
| ITEM | QTY | PART NUMBER | DESCRIPTION |
| 1 | 1 | 4823101 | BASE ASM NSC 2.3 PROFILER, CLR |
| 2 | 1 | 5340601 | PROFILER, 2250WATT 120VAC OPT |
| 3 | 1 | 4558901 | NSC LABEL KIT (NOT SHOWN) |
| 4 | 1 | TP-4602001 | MANUAL, NS 1.8/2.3, CE, CD VERSION (NOT SHOWN) |

**UNLESS OTHERWISE SPECIFIED
DIMENSIONS ARE IN INCHES.**
TOLERANCES ON DECIMALS ANGLES
0 = ± 0.030 ± 1/2°
00 = ± 0.010
000 = ± 0.005
FRACTIONAL ± 1/64"
1. ALL INSIDE EDGES TO HAVE
.005" TO .035" FILLETS.
2. ALL OUTSIDE EDGES TO HAVE
.005" TO .015" CHAMFER OR RADIUS.
125√ ON ALL MACHINED SURFACES

PROPRIETARY AND CONFIDENTIAL
THE INFORMATION CONTAINED IN THIS
DRAWING IS THE SOLE PROPERTY OF THE
WILL-BURT COMPANY ANY
REPRODUCTION IN PART OR WHOLE
WITHOUT THE WRITTEN PERMISSION OF
THE WILL-BURT COMPANY IS PROHIBITED.

W3 AN EMPLOYEE OWNED COMPANY
WILL-BURT ORRVILLE, OH

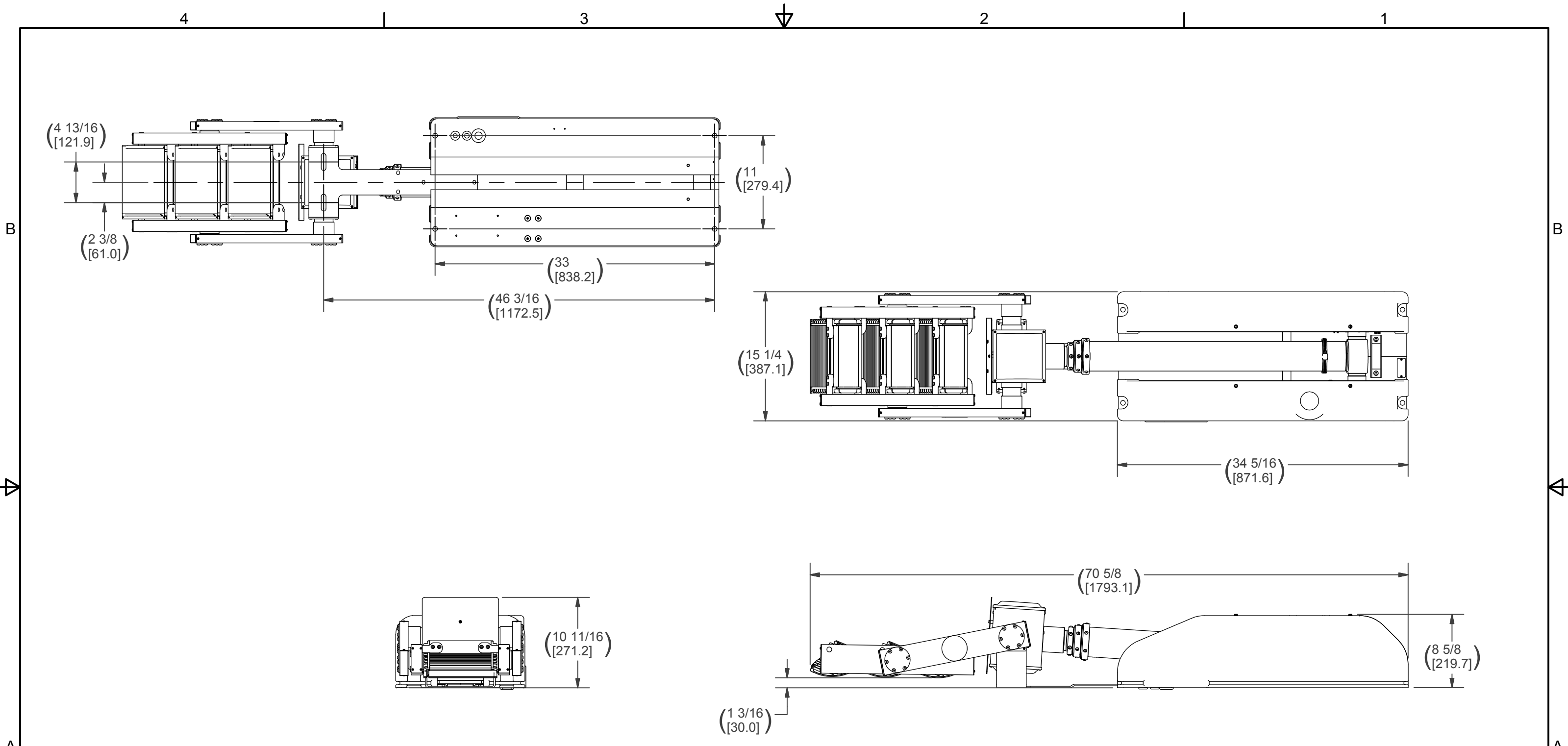
TITLE
**NS 2.3 2250W 3X750W OPT
PROFILER 120VAC**

| | | | | |
|--------------|----------|------|-----------|--------------|
| APPROVALS | DATE | SIZE | DWG NO | REV |
| DRAWN RCC | 2/1/2016 | B | 720799025 | 00 |
| CHECKED | | PN: | 720799025 | SHEET 1 OF 2 |

APPROX. WT:105.1 lbmass

THIRD ANGLE PROJECTION





**UNLESS OTHERWISE SPECIFIED
DIMENSIONS ARE IN INCHES.**

| | |
|------------------------|--------|
| TOLERANCES ON DECIMALS | ANGLES |
| 0 = ± 0.030 | ± 1/2° |
| 00 = ± 0.010 | |
| 000 = ± 0.005 | |
| FRACTIONAL ± 1/64" | |

1. ALL INSIDE EDGES TO HAVE
.005" TO .035" FILLETS.

2. ALL OUTSIDE EDGES TO HAVE
.005" TO .015" CHAMFER OR RADIUS.

125° ON ALL MACHINED SURFACES

PROPRIETARY AND CONFIDENTIAL

THE INFORMATION CONTAINED IN THIS DRAWING IS THE SOLE PROPERTY OF THE WILL-BURT COMPANY ANY REPRODUCTION IN PART OR WHOLE WITHOUT THE WRITTEN PERMISSION OF THE WILL-BURT COMPANY IS PROHIBITED.

| | |
|--------------|----------|
| APPROVALS | DATE |
| DRAWN RCC | 2/1/2016 |
| CHECKED | |

WILL-BURT AN EMPLOYEE OWNED COMPANY
ORRVILLE, OH

TITLE
**NS 2.3 2250W 3X750W OPT
PROFILER 120VAC**

| | | |
|------------------|---------------------|-----------|
| SIZE B | DWG NO 720799025 | REV 00 |
| PN: 720799025 | SHEET 2 OF 2 | |

APPROX. WT:105.1 lbmass

THIRD ANGLE PROJECTION