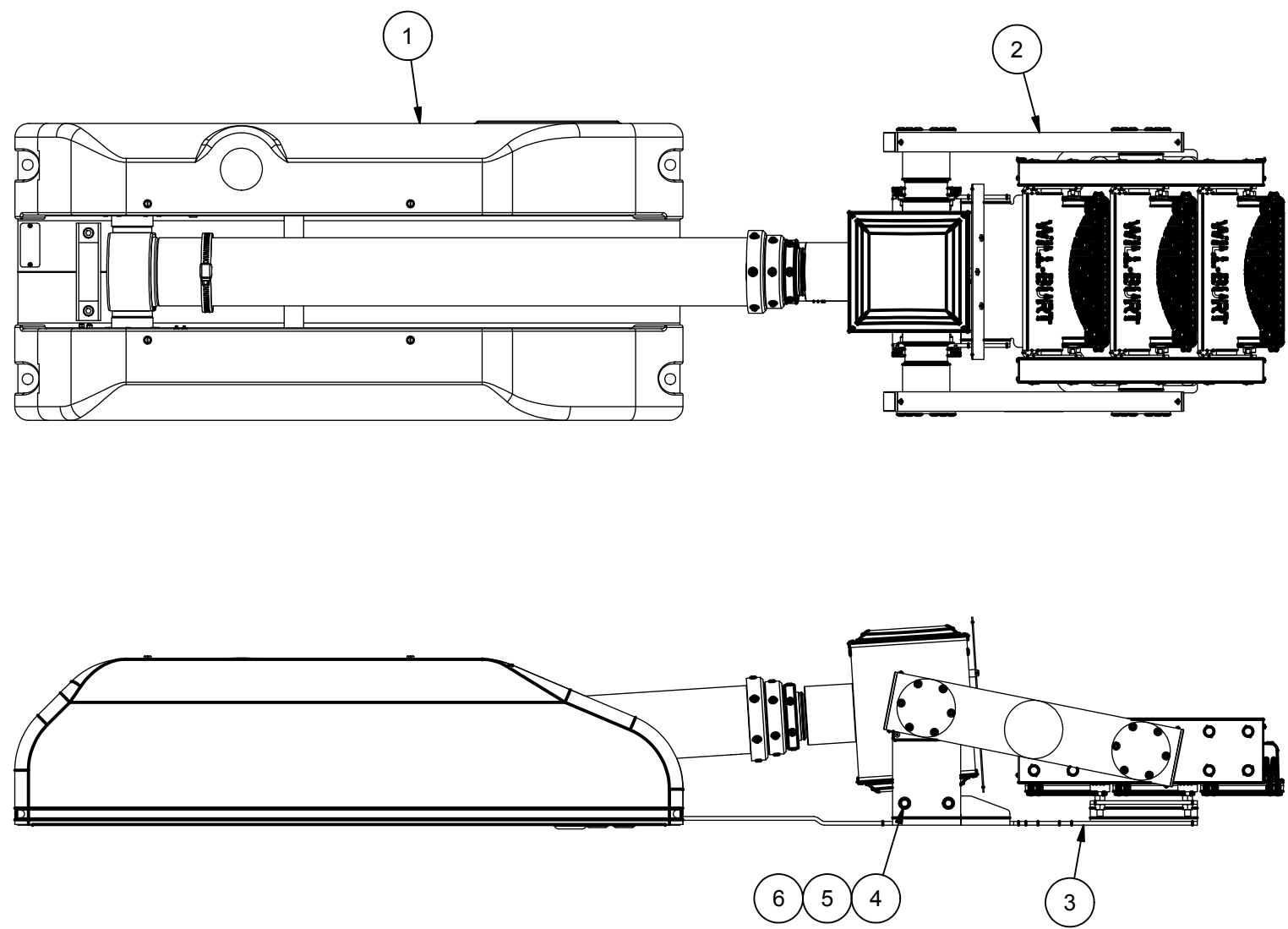


REVISION HISTORY				
ECN	REV	DESCRIPTION	DATE	APPROVED
13887	00	INITIAL RELEASE	2/12/2018	RCC



NOTES:
 1 REFERENCE DRAWING WD-46276 FOR WIRING DIAGRAM.
 2 MUST LEVEL BUMPERS UNDER PROFILER LIGHT BAR.

BOM			
ITEM	QTY	PART NUMBER	DESCRIPTION
1	1	4823101	BASE ASM NSC 2.3 PROFILER, CLR
2	1	5519401	PROFILER, WHL 235W PCH1 SPT/FLD 12VDC WHT
3	1	5450701	PROFILER SUPPORT NSC-3LT WHL
4	8	0800	WSHR FLT 1/4X0.625X0.070 300 SSTL MIL
5	4	1930	NUT NYLOCK 1/4-20 HX 18-8 SSTL
6	4	1005	SCR CAP HX 1/4-20X1.000 316 SSTL
7	1	4558902	NSC LABEL KIT (NOT SHOWN)
8	1	WD-46276	WIRING DIAGRAM (NOT SHOWN)
9	1	TP-4602001	MANUAL, (NOT SHOWN)

UNLESS OTHERWISE SPECIFIED
 DIMENSIONS ARE IN INCHES.
 TOLERANCES ON DECIMALS ANGLES
 0 = ± 0.030 ± 1/2°
 00 = ± 0.010
 000 = ± 0.005
 FRACTIONAL ± 1/64"
 1. ALL INSIDE EDGES TO HAVE
 .005" TO .035" FILLETS.
 2. ALL OUTSIDE EDGES TO HAVE
 .005" TO .015" CHAMFER OR RADIUS.
 125° ON ALL MACHINED SURFACES

APPROX. WT:110.5 lbmass

THIRD ANGLE PROJECTION

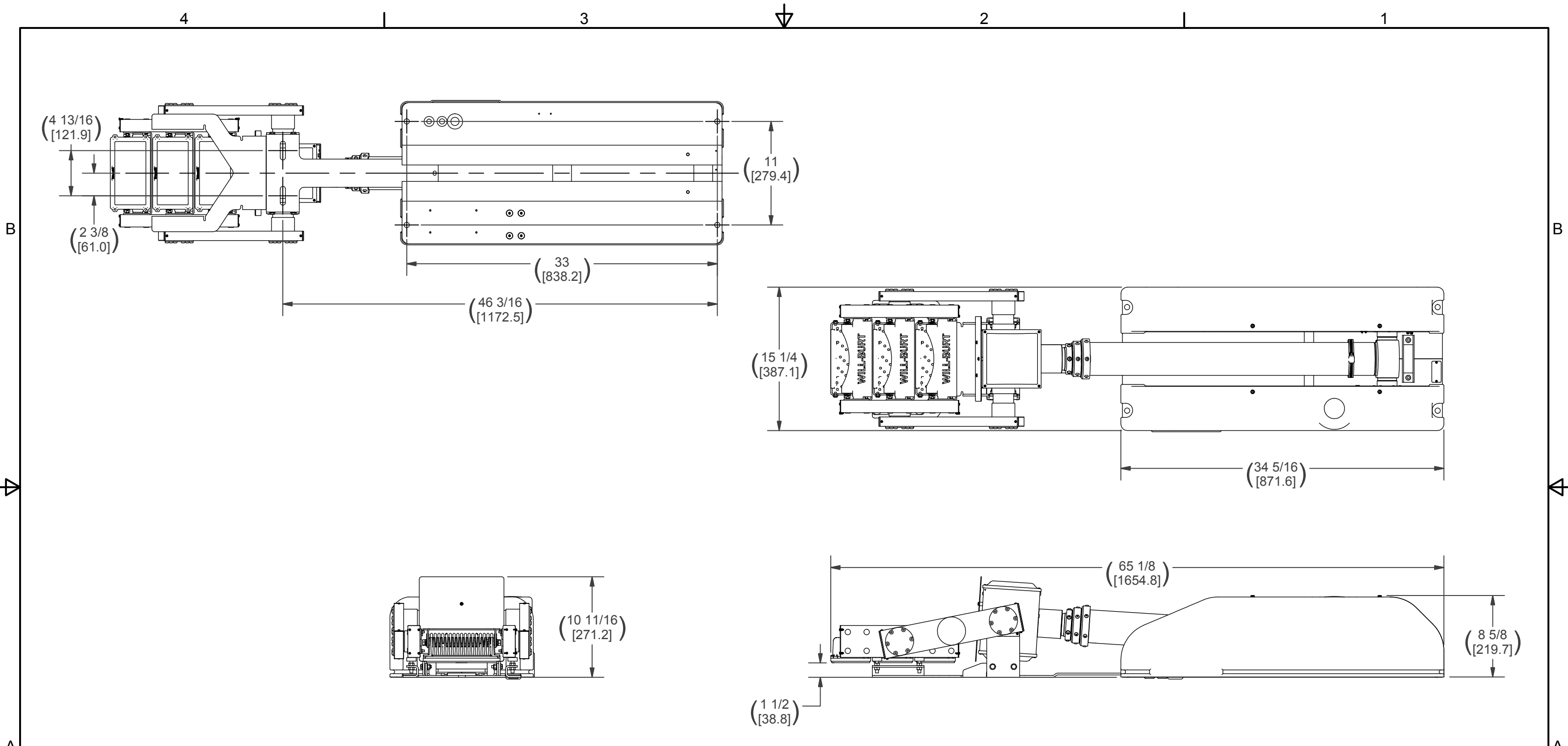


PROPRIETARY AND CONFIDENTIAL
 THE INFORMATION CONTAINED IN THIS
 DRAWING IS THE SOLE PROPERTY OF THE
 WILL-BURT COMPANY ANY
 REPRODUCTION IN PART OR WHOLE
 WITHOUT THE WRITTEN PERMISSION OF
 THE WILL-BURT COMPANY IS PROHIBITED.

W3 AN EMPLOYEE OWNED COMPANY
 WILL-BURT ORRVILLE, OH

TITLE
**NS 2.3 235W WHLN SPT/FLD
 PCH1 PRFLR 12VDC**

APPROVALS	DATE	SIZE	DWG NO	REV
DRAWN RCC	2/12/2018	B	720799014	00
CHECKED		PN:	720799014	SHEET 1 OF 2



APPROX. WT:110.5 lbmass

THIRD ANGLE PROJECTION



UNLESS OTHERWISE SPECIFIED DIMENSIONS ARE IN INCHES.
 TOLERANCES ON DECIMALS ANGLES
 0 = ± 0.030 ± 1/2°
 00 = ± 0.010
 000 = ± 0.005
 FRACTIONAL ± 1/64"
 1. ALL INSIDE EDGES TO HAVE .005" TO .035" FILLETS.
 2. ALL OUTSIDE EDGES TO HAVE .005" TO .015" CHAMFER OR RADIUS.
 125√ ON ALL MACHINED SURFACES

PROPRIETARY AND CONFIDENTIAL
 THE INFORMATION CONTAINED IN THIS DRAWING IS THE SOLE PROPERTY OF THE WILL-BURT COMPANY ANY REPRODUCTION IN PART OR WHOLE WITHOUT THE WRITTEN PERMISSION OF THE WILL-BURT COMPANY IS PROHIBITED.

WILL-BURT AN EMPLOYEE OWNED COMPANY
 ORRVILLE, OH

TITLE
NS 2.3 235W WHLN SPT/FLD PCH1 PRFLR 12VDC

APPROVALS	DATE
DRAWN RCC	2/12/2018
CHECKED	

SIZE	DWG NO	REV
B	720799014	00
PN:	720799014	SHEET 2 OF 2