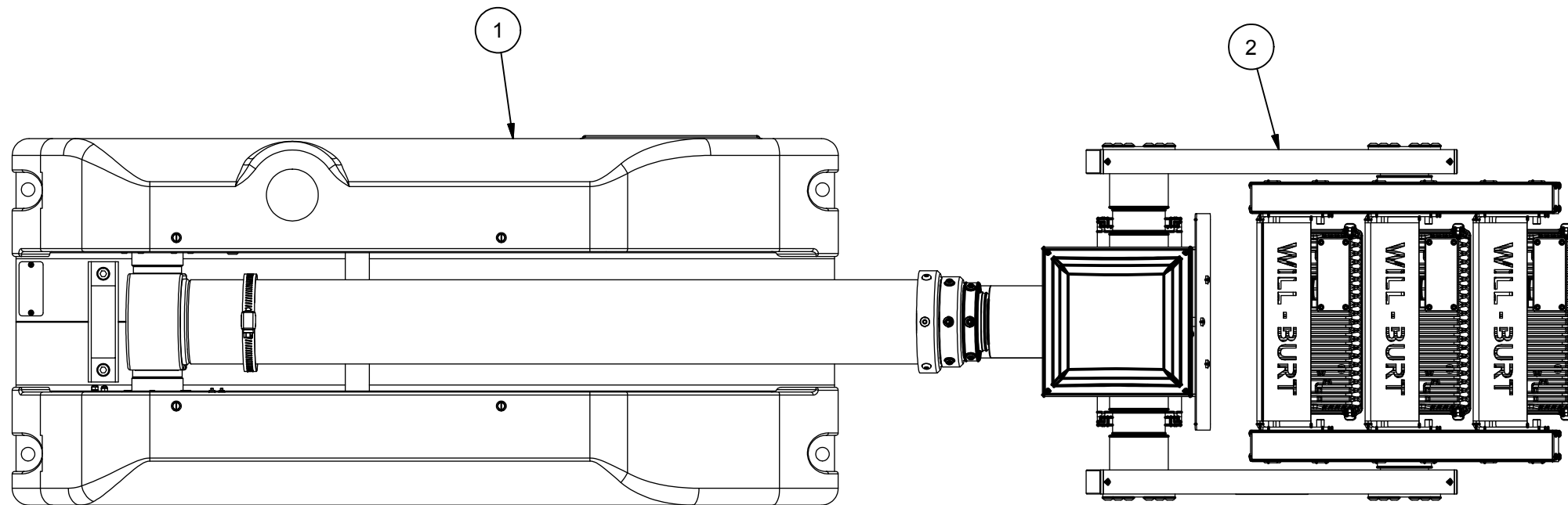


REVISION HISTORY				
ECN	REV	DESCRIPTION	DATE	APPROVED
11545	00	INITIAL RELEASE	3/27/2013	RCC\



BOM			
ITEM	QTY	PART NUMBER	DESCRIPTION
1	1	4823101	BASE ASM NSC 2.3 PROFILER, CLR
2	1	4825001	PROFILER, 225WATT LED 12VDC WHLN
3	1	4558901	NSC LABEL KIT (NOT SHOWN)
4	1	900600	MAST OIL (SHIP LOOSE) (NOT SHOWN)
5	1	TP-4602001	MANUAL, (NOT SHOWN)
6	1	4749201	CARTON WITH SKID-POWERLITE (NOT SHOWN)

**UNLESS OTHERWISE SPECIFIED
DIMENSIONS ARE IN INCHES.**
TOLERANCES ON DECIMALS ANGLES
0 = ± 0.030 ± 1/2°
00 = ± 0.010
000 = ± 0.005
FRACTIONAL ± 1/64"
1. ALL INSIDE EDGES TO HAVE
.005" TO .035" FILLETS.
2. ALL OUTSIDE EDGES TO HAVE
.005" TO .015" CHAMFER OR RADIUS.
 $\sqrt[125]{}$ ON ALL MACHINED SURFACES

APPROX. WT:97.9 lbmass

THIRD ANGLE PROJECTION



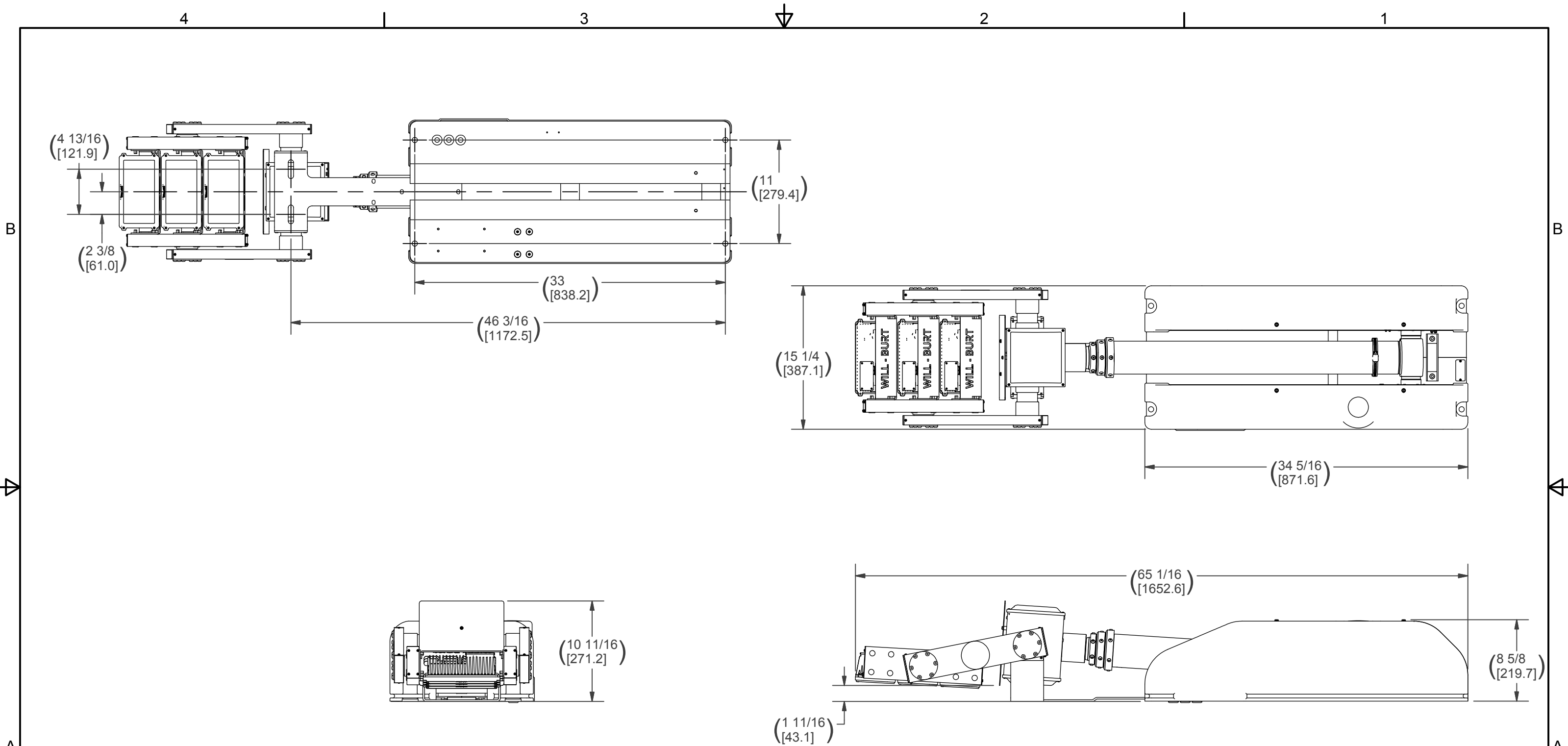
PROPRIETARY AND CONFIDENTIAL
THE INFORMATION CONTAINED IN THIS
DRAWING IS THE SOLE PROPERTY OF THE
WILL-BURT COMPANY ANY
REPRODUCTION IN PART OR WHOLE
WITHOUT THE WRITTEN PERMISSION OF
THE WILL-BURT COMPANY IS PROHIBITED.

WILL-BURT AN EMPLOYEE OWNED COMPANY
ORRVILLE, OH

TITLE
**NS 2.3 225W WHELEN
PROFILER 12VDC**

APPROVALS	DATE
DRAWN RCC	3/27/2013
CHECKED	

SIZE	DWG NO	REV
B	720799011	00
PN: 720799011		SHEET 1 OF 2



APPROX. WT:97.9 lbmass

THIRD ANGLE PROJECTION



**UNLESS OTHERWISE SPECIFIED
DIMENSIONS ARE IN INCHES.**
 TOLERANCES ON DECIMALS ANGLES
 0 = ± 0.030 ± 1/2°
 00 = ± 0.010
 000 = ± 0.005
 FRACTIONAL ± 1/64"
 1. ALL INSIDE EDGES TO HAVE
 .005" TO .035" FILLETS.
 2. ALL OUTSIDE EDGES TO HAVE
 .005" TO .015" CHAMFER OR RADIUS.
 125√ ON ALL MACHINED SURFACES

PROPRIETARY AND CONFIDENTIAL
 THE INFORMATION CONTAINED IN THIS
 DRAWING IS THE SOLE PROPERTY OF THE
 WILL-BURT COMPANY ANY
 REPRODUCTION IN PART OR WHOLE
 WITHOUT THE WRITTEN PERMISSION OF
 THE WILL-BURT COMPANY IS PROHIBITED.

WB AN EMPLOYEE OWNED COMPANY
 WILL-BURT ORRVILLE, OH

TITLE
**NS 2.3 225W WHELEN
 PROFILER 12VDC**

APPROVALS	DATE
DRAWN RCC	3/27/2013
CHECKED	

SIZE	DWG NO	REV
B	720799011	00
PN:	720799011	SHEET 2 OF 2