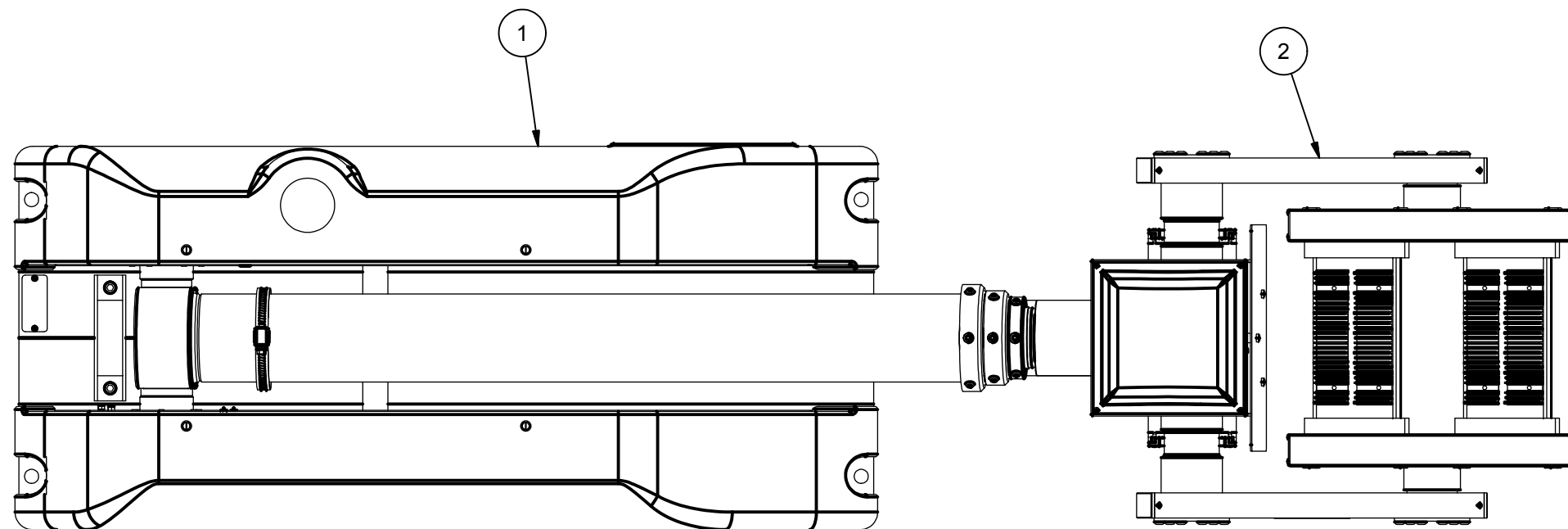


REVISION HISTORY				
ECN	REV	DESCRIPTION	DATE	APPROVED
11506	00	INITIAL RELEASE	3/6/2013	RCC\
11575	A	P/N 4929001 was 4863001	4/17/2013	RCC



NOTE:
MUST USE 4749201 CARTON WITH SKID POWERLITE TO SHIP.

BOM			
ITEM	QTY	PART NUMBER	DESCRIPTION
1	1	4823101	BASE ASM NSC 2.3 PROFILER, CLR
2	1	4929001	PROFILER NSC, EVO LED 180W 12V/24V
3	1	4558901	NSC LABEL KIT (NOT SHOWN)
4	1	900600	MAST OIL (SHIP LOOSE) (NOT SHOWN)
5	1	TP-4602001	MANUAL, NS 1.8/2.3, CE, CD VERSION (NOT SHOWN)
6	1	4749201	CARTON WITH SKID POWERLITE

**UNLESS OTHERWISE SPECIFIED
DIMENSIONS ARE IN INCHES.**
TOLERANCES ON DECIMALS ANGLES
0 = ± 0.030 ± 1/2°
00 = ± 0.010
000 = ± 0.005
FRACTIONAL ± 1/64"
1. ALL INSIDE EDGES TO HAVE
.005" TO .035" FILLETS.
2. ALL OUTSIDE EDGES TO HAVE
.005" TO .015" CHAMFER OR RADIUS.
125√ ON ALL MACHINED SURFACES

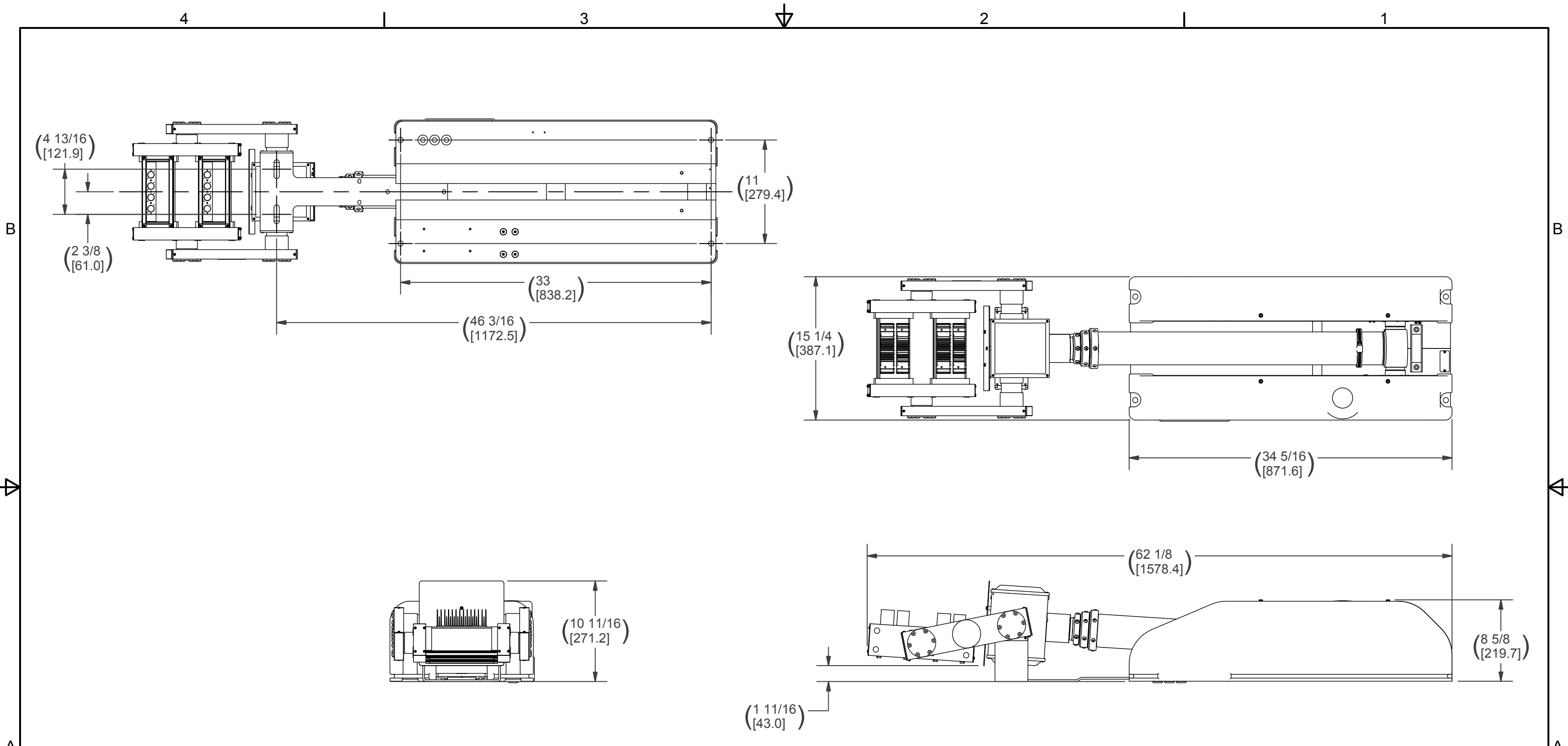
PROPRIETARY AND CONFIDENTIAL
THE INFORMATION CONTAINED IN THIS
DRAWING IS THE SOLE PROPERTY OF THE
WILL-BURT COMPANY ANY
REPRODUCTION IN PART OR WHOLE
WITHOUT THE WRITTEN PERMISSION OF
THE WILL-BURT COMPANY IS PROHIBITED.

W3 AN EMPLOYEE OWNED COMPANY
WILL-BURT ORRVILLE, OH

TITLE
**NS 2.3 180W EVO LED
PROFILER 12/24VDC**

APPROVALS	DATE	SIZE	DWG NO	REV
DRAWN RCC	3/6/2013	B	720799002	A
CHECKED		PN:	720799002	SHEET 1 OF 2

APPROX. WT:94.5 lbmass
THIRD ANGLE PROJECTION



APPROX. WT:94.5 lbmass

THIRD ANGLE PROJECTION



UNLESS OTHERWISE SPECIFIED DIMENSIONS ARE IN INCHES.
 TOLERANCES ON DECIMALS ANGLES
 0 = ± 0.030 ± 1/2°
 00 = ± 0.010
 000 = ± 0.005
 FRACTIONAL ± 1/64"
 1. ALL INSIDE EDGES TO HAVE .005" TO .035" FILLETS.
 2. ALL OUTSIDE EDGES TO HAVE .005" TO .015" CHAMFER OR RADIUS.
 125° ON ALL MACHINED SURFACES

PROPRIETARY AND CONFIDENTIAL
 THE INFORMATION CONTAINED IN THIS DRAWING IS THE SOLE PROPERTY OF THE WILL-BURT COMPANY ANY REPRODUCTION IN PART OR WHOLE WITHOUT THE WRITTEN PERMISSION OF THE WILL-BURT COMPANY IS PROHIBITED.

W3 AN EMPLOYEE OWNED COMPANY
 WILL-BURT ORRVILLE, OH

TITLE
NS 2.3 180W EVO LED PROFILER 12/24VDC

APPROVALS	DATE
DRAWN RCC	3/6/2013
CHECKED	

SIZE	DWG NO	REV
B	720799002	A
PN:	720799002	SHEET 2 OF 2