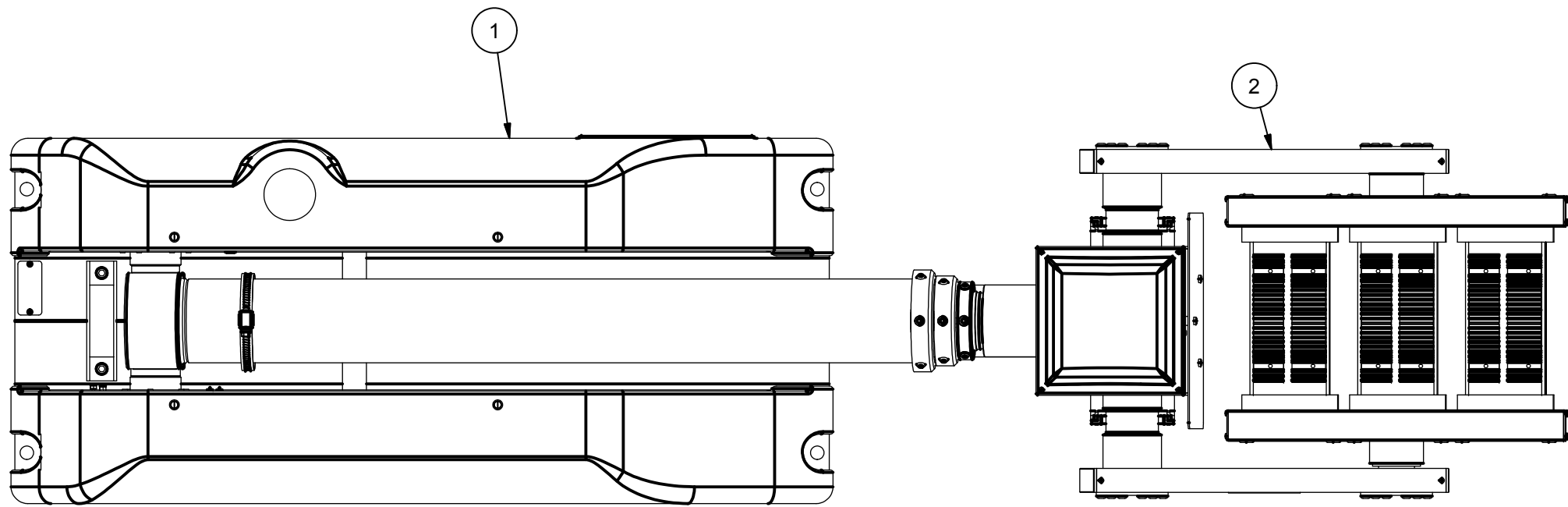


REVISION HISTORY				
ECN	REV	DESCRIPTION	DATE	APPROVED
10944	00	INITIAL RELEASE	9/26/2011	RCC\
11146	A	4823101 was 4522001 (New BOM)	6/20/2012	RCC\



NOTE:
MUST USE 914206 SHIPPING CREATE TO SHIP.

BOM			
ITEM	QTY	PART NUMBER	DESCRIPTION
1	1	4823101	BASE ASM NSC 2.3 PROFILER, CLR
2	1	4788801	PROFILER, 270WATT EVO LED 12/24VDC
3	1	4558901	NSC LABEL KIT (NOT SHOWN)
4	1	900600	MAST OIL (SHIP LOOSE) (NOT SHOWN)
5	1	TP-4602001	MANUAL, NS 1.8/2.3, CE, CD VERSION (NOT SHOWN)

**UNLESS OTHERWISE SPECIFIED
DIMENSIONS ARE IN INCHES.**
 TOLERANCES ON DECIMALS ANGLES
 0 = ± 0.030 ± 1/2°
 00 = ± 0.010
 000 = ± 0.005
 FRACTIONAL ± 1/64"
 1. ALL INSIDE EDGES TO HAVE
 .005" TO .035" FILLETS.
 2. ALL OUTSIDE EDGES TO HAVE
 .005" TO .015" CHAMFER OR RADIUS.
¹²⁵√ ON ALL MACHINED SURFACES

PROPRIETARY AND CONFIDENTIAL
 THE INFORMATION CONTAINED IN THIS
 DRAWING IS THE SOLE PROPERTY OF THE
 WILL-BURT COMPANY ANY
 REPRODUCTION IN PART OR WHOLE
 WITHOUT THE WRITTEN PERMISSION OF
 THE WILL-BURT COMPANY IS PROHIBITED.

W3 AN EMPLOYEE OWNED COMPANY
 WILL-BURT ORRVILLE, OH

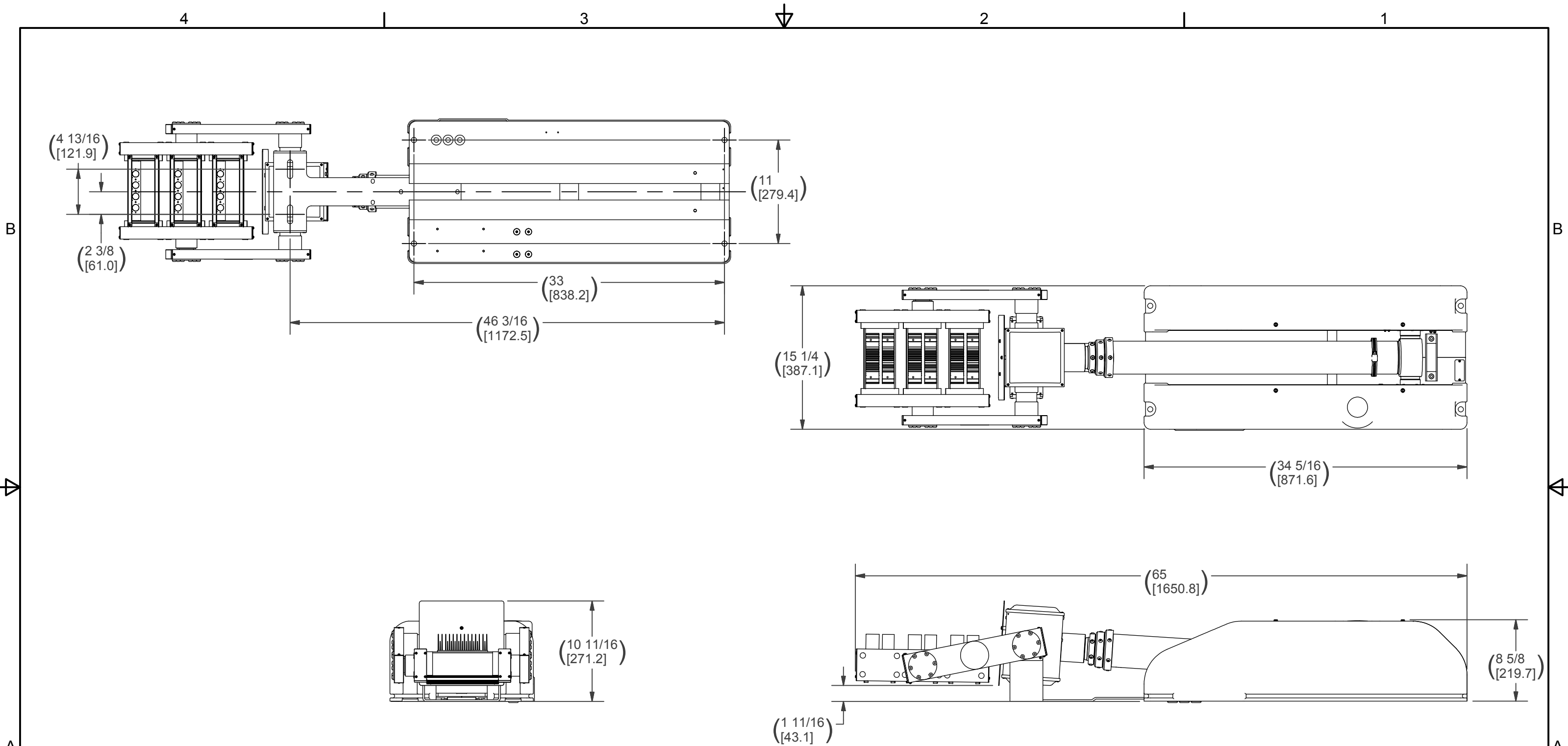
TITLE
**NS 2.3 270W EVO LED
 PROFILER 12/24VDC**

APPROVALS	DATE	SIZE	DWG NO	REV
DRAWN RCC	2/22/2012	B	720799001	A
CHECKED		PN:	720799001	SHEET 1 OF 2

APPROX. WT:97.8 lbmass

THIRD ANGLE PROJECTION





APPROX. WT:97.8 lbmass

THIRD ANGLE PROJECTION



**UNLESS OTHERWISE SPECIFIED
DIMENSIONS ARE IN INCHES.**
 TOLERANCES ON DECIMALS ANGLES
 0 = ± 0.030 ± 1/2°
 00 = ± 0.010
 000 = ± 0.005
 FRACTIONAL ± 1/64"
 1. ALL INSIDE EDGES TO HAVE
 .005" TO .035" FILLETS.
 2. ALL OUTSIDE EDGES TO HAVE
 .005" TO .015" CHAMFER OR RADIUS.
 125√ ON ALL MACHINED SURFACES

PROPRIETARY AND CONFIDENTIAL
 THE INFORMATION CONTAINED IN THIS
 DRAWING IS THE SOLE PROPERTY OF THE
 WILL-BURT COMPANY ANY
 REPRODUCTION IN PART OR WHOLE
 WITHOUT THE WRITTEN PERMISSION OF
 THE WILL-BURT COMPANY IS PROHIBITED.

WB AN EMPLOYEE OWNED COMPANY
 WILL-BURT ORRVILLE, OH

TITLE
**NS 2.3 270W EVO LED
 PROFILER 12/24VDC**

APPROVALS	DATE
DRAWN RCC	2/22/2012
CHECKED	

SIZE	DWG NO	REV
B	720799001	A
PN:	720799001	SHEET 2 OF 2