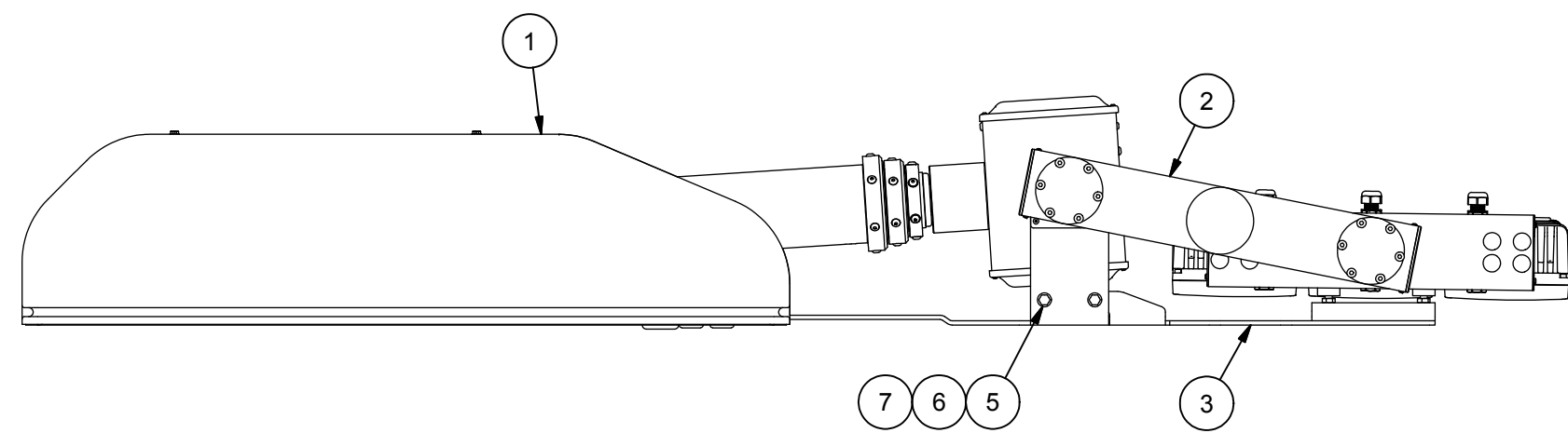
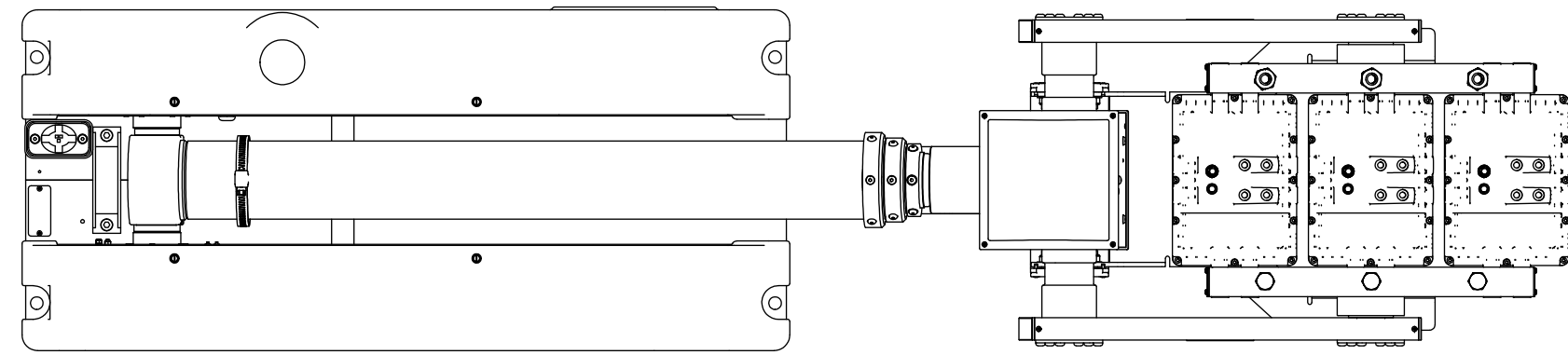


REVISION HISTORY				
ECN	REV	DESCRIPTION	DATE	APPROVED
14311	00	NEW RELEASE	3/13/2019	RCC



NOTES:

- 1 APPLY RTV #739 OR EQUAL TO ALL OPEN HOLES.
- 2 SEE WIRING DIAGRAM WD-46276 FOR ALL UNITS.
- 3 SET LIGHT BARS HOME POSITION PARALLEL TO BASE PLATE WHEN STOWED.
- 4 4965101 TO BE INSTALLED INTO BASE ASSEMBLY

BOM			
ITEM	QTY	PART NUMBER	DESCRIPTION
1	1	4823101	BASE ASM NSC 2.3 PROFILER, CLR
2	1	5591001	PROFILER, 375WATT 12-32VDC X-200
3	1	5591501	PROFILER SUPPORT NSC-3LT X-200
4	1	4558901	NSC LABEL KIT (NOT SHOWN)
5	8	0800	WSHR FLT 1/4X0.625X0.070 300 SSSL MIL
6	4	1930	NUT NYLOCK 1/4-20 HX 18-8 SSSL
7	4	1005	SCR CAP HX 1/4-20X1.000 316 SSSL
8	1	TP-4602001	MANUAL CD VERSION (NOT SHOWN)
9	1	WD-46276	WIRING DIAGRAM (NOT SHOWN)

UNLESS OTHERWISE SPECIFIED
DIMENSIONS ARE IN INCHES.

TOLERANCES ON DECIMALS ANGLES
0 = ± 0.030 ± 1/2°
00 = ± 0.010
000 = ± 0.005

FRACTIONAL ± 1/64"

1. ALL INSIDE EDGES TO HAVE
.005" TO .035" FILLETS.
2. ALL OUTSIDE EDGES TO HAVE
.005" TO .015" CHAMFER OR RADIUS.

125° ON ALL MACHINED SURFACES

APPROX. WT:116.9 lbmass

THIRD ANGLE PROJECTION



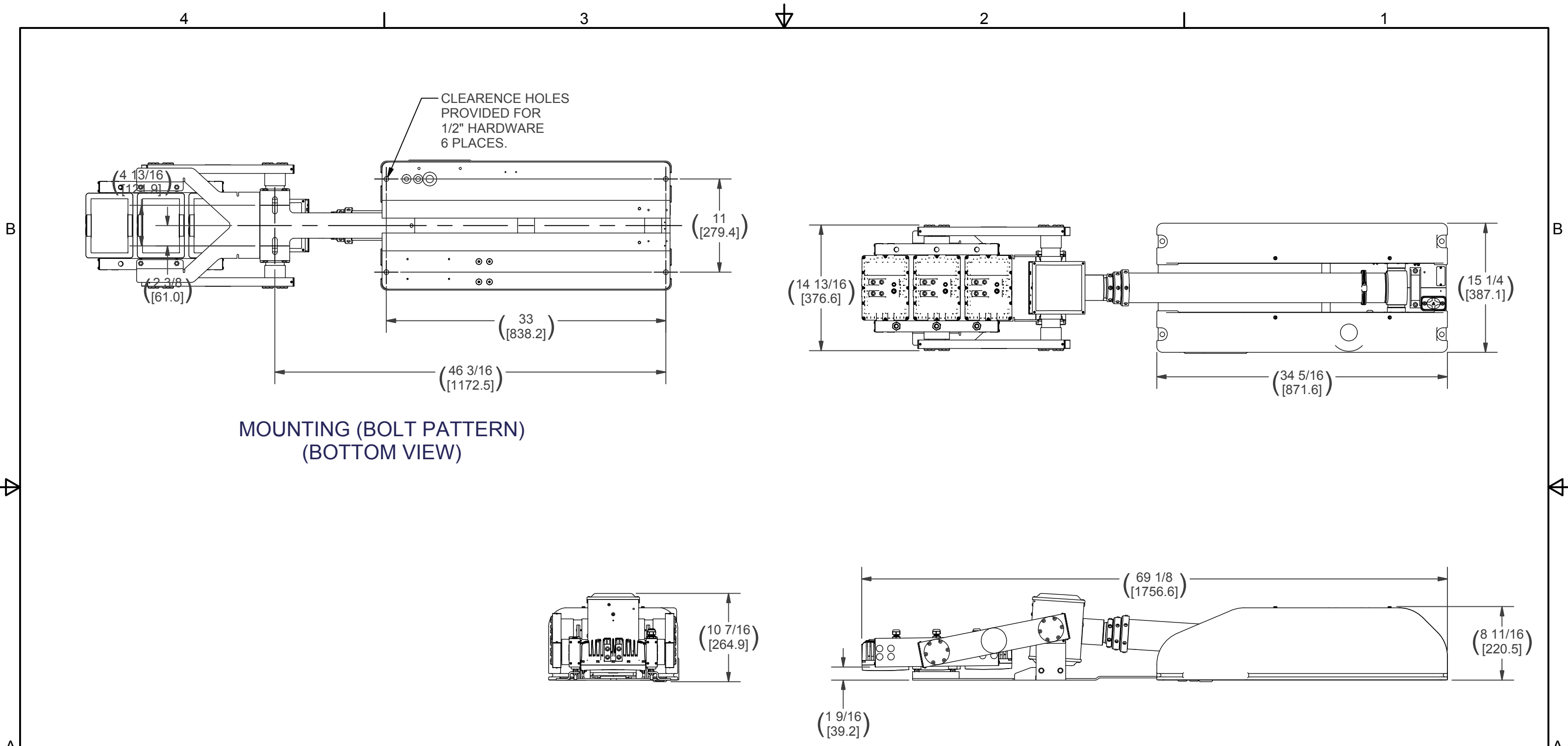
PROPRIETARY AND CONFIDENTIAL
THE INFORMATION CONTAINED IN THIS
DRAWING IS THE SOLE PROPERTY OF THE
WILL-BURT COMPANY ANY REPRODUCTION
IN PART OR WHOLE WITHOUT THE WRITTEN
PERMISSION OF THE WILL-BURT COMPANY IS
PROHIBITED.

WB AN EMPLOYEE OWNED COMPANY
WILL-BURT ORRVILLE, OH

TITLE
**NS 2.3 375W X-200 3X125
PROFILER 12-32V**

APPROVALS	DATE
DRAWN RCC	3/13/2019
CHECKED	

SIZE	DWG NO	REV
B	720795047	00
PN: SEE TABLE ABOVE		SHEET 1 OF 2



APPROX. WT:116.9 lbmass

THIRD ANGLE PROJECTION



UNLESS OTHERWISE SPECIFIED DIMENSIONS ARE IN INCHES.

TOLERANCES ON DECIMALS ANGLES
 0 = ± 0.030 ± 1/2°
 00 = ± 0.010
 000 = ± 0.005

FRACTIONAL ± 1/64"

1. ALL INSIDE EDGES TO HAVE .005" TO .035" FILLETS.
 2. ALL OUTSIDE EDGES TO HAVE .005" TO .015" CHAMFER OR RADIUS.

125° ON ALL MACHINED SURFACES

PROPRIETARY AND CONFIDENTIAL
 THE INFORMATION CONTAINED IN THIS DRAWING IS THE SOLE PROPERTY OF THE WILL-BURT COMPANY ANY REPRODUCTION IN PART OR WHOLE WITHOUT THE WRITTEN PERMISSION OF THE WILL-BURT COMPANY IS PROHIBITED.

WB AN EMPLOYEE OWNED COMPANY
 WILL-BURT ORRVILLE, OH

TITLE
**NS 2.3 375W X-200 3X125
 PROFILER 12-32V**

APPROVALS	DATE
DRAWN RCC	3/13/2019
CHECKED	

SIZE B	DWG NO 720795047	REV 00
PN: SEE TABLE ABOVE	SHEET 2 OF 2	