

ASSEMBLY NO	ITEM 3 P/N	ITEM 3 DESCRIPTION
720785013	4810707	SPECTRA MAX-S 1344W (4X336W)120VAC WHT
720785014	4810708	SPECTRA MAX-S 1344W (4X336W)240VAC WHT
720785015	4810706	SPECTRA MAX 1344W (4X336W) 240VAC WHT
720785016	4810705	SPECTRA MAX 1344W (4X336W) 120VAC WHT

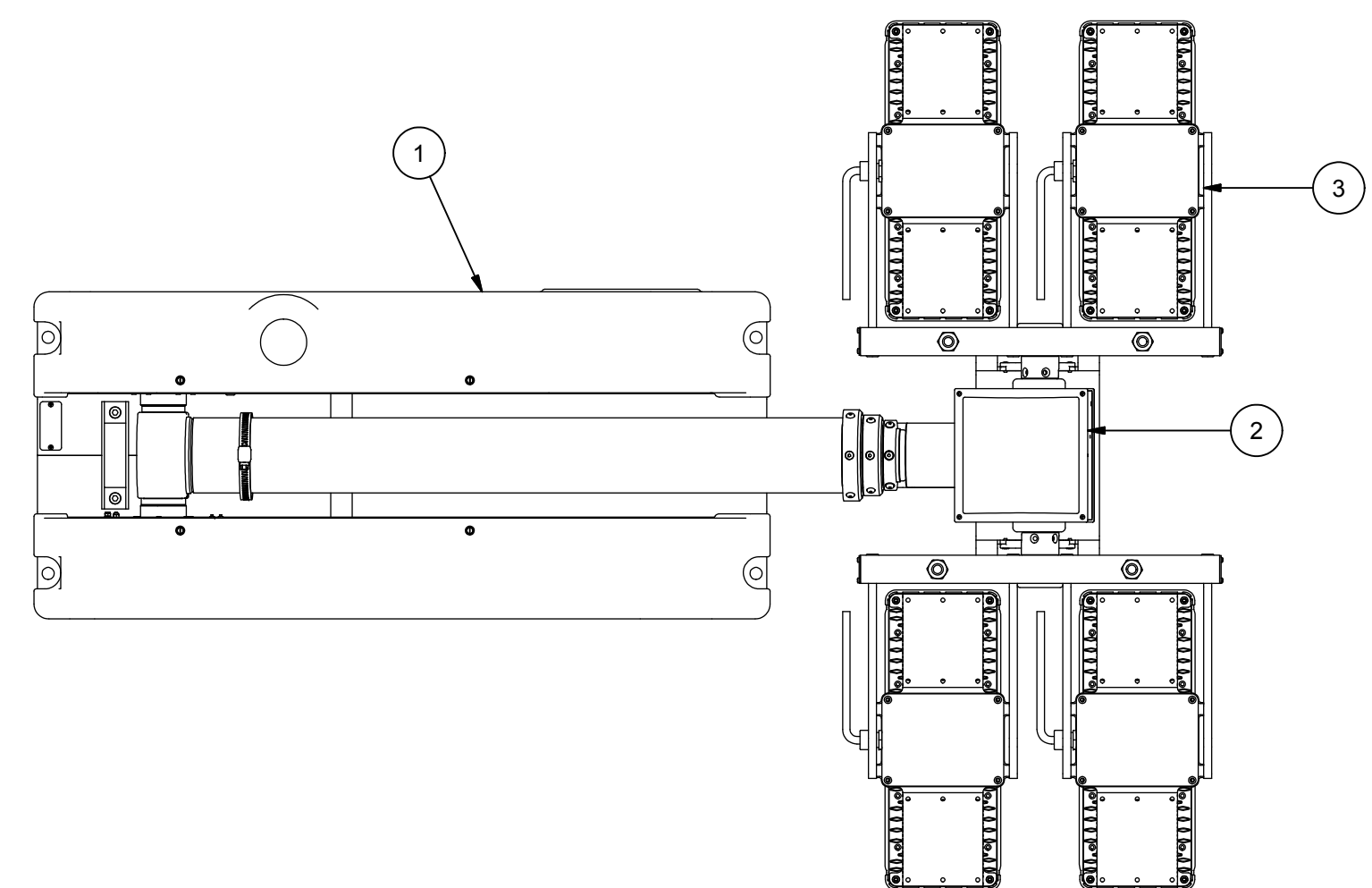


REVISION HISTORY				
ECN	REV	DESCRIPTION	DATE	APPROVED
12785	00	INITIAL RELEASE	6/26/2015	RCC
13015	A	Added 720785014 Assy.	12/2/2015	RCC
13113	B	Added 720785015 Assy.	3/1/2016	RCC
13194	C	Added 720785016 Assy.	4/18/2016	RCC

B

A

A



- NOTES:
- 1 APPLY RTV #739 OR EQUAL TO ALL OPEN HOLES.
  - 2 SEE WIRING DIAGRAM WD-46276 FOR ALL UNITS.
  - 3 SET LIGHT BARS HOME POSITION PARALLEL TO BASE PLATE WHEN STOWED.

BOM			
ITEM	QTY	PART NUMBER	DESCRIPTION
1	1	4522001	BASE ASSEMBLY, 7.5 CLR
2	1	4548301	NSC RCP, LIGHTS ONLY
3	1	SEE TABLE	SPECTRA 1344W (4X336W) WHT
4	1	4558901	NSC LABEL KIT CE (NOT SHOWN)
5	1	TP-4602001	MANUAL, NS 1.8/2.3, CE, CD VERSION (NOT SHOWN)
6	1	WD-46276	WIRING DIAGRAM (NOT SHOWN)

APPROX. WT:124.5 lbmass

THIRD ANGLE PROJECTION



UNLESS OTHERWISE SPECIFIED DIMENSIONS ARE IN INCHES.

TOLERANCES ON DECIMALS    ANGLES  
 0 = ± 0.030                      ± 1/2'  
 00 = ± 0.010  
 000 = ± 0.005

FRACTIONAL ± 1/64"

1. ALL INSIDE EDGES TO HAVE .005" TO .035" FILLETS.  
 2. ALL OUTSIDE EDGES TO HAVE .005" TO .015" CHAMFER OR RADIUS.  
 125 ON ALL MACHINED SURFACES

**PROPRIETARY AND CONFIDENTIAL**

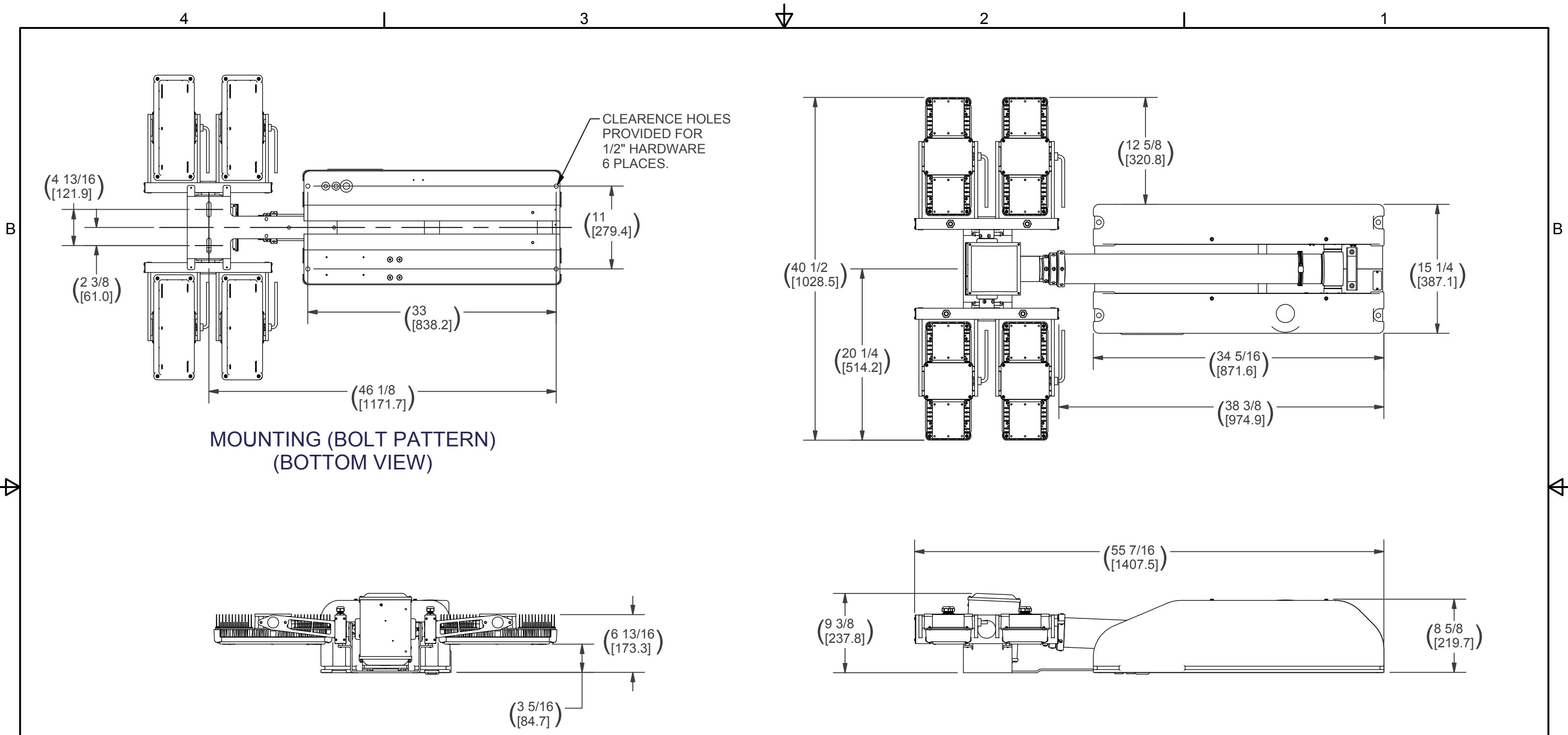
THE INFORMATION CONTAINED IN THIS DRAWING IS THE SOLE PROPERTY OF THE WILL-BURT COMPANY ANY REPRODUCTION IN PART OR WHOLE WITHOUT THE WRITTEN PERMISSION OF THE WILL-BURT COMPANY IS PROHIBITED.

APPROVALS	DATE
DRAWN RCC	6/26/2015
CHECKED	

**WILL-BURT** AN EMPLOYEE OWNED COMPANY  
ORRVILLE, OH

TITLE  
**NS 2.3 1344 (4X336W)  
SPC MAX/MAX-S**

SIZE B	DWG NO 720785013	REV C
PN: SEE TABLE ABOVE		SHEET 1 OF 2



ALL SPECIFICATIONS SUBJECT TO CHANGE WITHOUT NOTICE.

NOTES:  
PRIMARY DIMENSIONS INCHES  
SECONDARY DIMENSIONS MILLIMETERS.

APPROX. WT:124.5 lbmass

THIRD ANGLE PROJECTION



UNLESS OTHERWISE SPECIFIED DIMENSIONS ARE IN INCHES.

TOLERANCES ON DECIMALS    ANGLES

0 = ± 0.030                      ± 1/2°

00 = ± 0.010

000 = ± 0.005

FRACTIONAL ± 1/64"

1. ALL INSIDE EDGES TO HAVE .005" TO .035" FILLETS.

2. ALL OUTSIDE EDGES TO HAVE .005" TO .015" CHAMFER OR RADIUS.

125° ON ALL MACHINED SURFACES

**PROPRIETARY AND CONFIDENTIAL**

THE INFORMATION CONTAINED IN THIS DRAWING IS THE SOLE PROPERTY OF THE WILL-BURT COMPANY ANY REPRODUCTION IN PART OR WHOLE WITHOUT THE WRITTEN PERMISSION OF THE WILL-BURT COMPANY IS PROHIBITED.

APPROVALS	DATE
DRAWN RCC	6/26/2015
CHECKED	

**W3** AN EMPLOYEE OWNED COMPANY  
WILL-BURT ORRVILLE, OH

TITLE  
**NS 2.3 1344 (4X336W)  
SPC MAX/MAX-S**

SIZE B	DWG NO 720785013	REV C
PN: SEE TABLE ABOVE	SHEET 2 OF 2	