

ASSEMBLY NO	ITEM 3 P/N	ITEM 3 DESCRIPTION
720785013	4810707	SPECTRA MAX-S 1344W (4X336W)120VAC WHT
720785014	4810708	SPECTRA MAX-S 1344W (4X336W)240VAC WHT
720785015	4810706	SPECTRA MAX 1344W (4X336W) 240VAC WHT
720785016	4810705	SPECTRA MAX 1344W (4X336W) 120VAC WHT

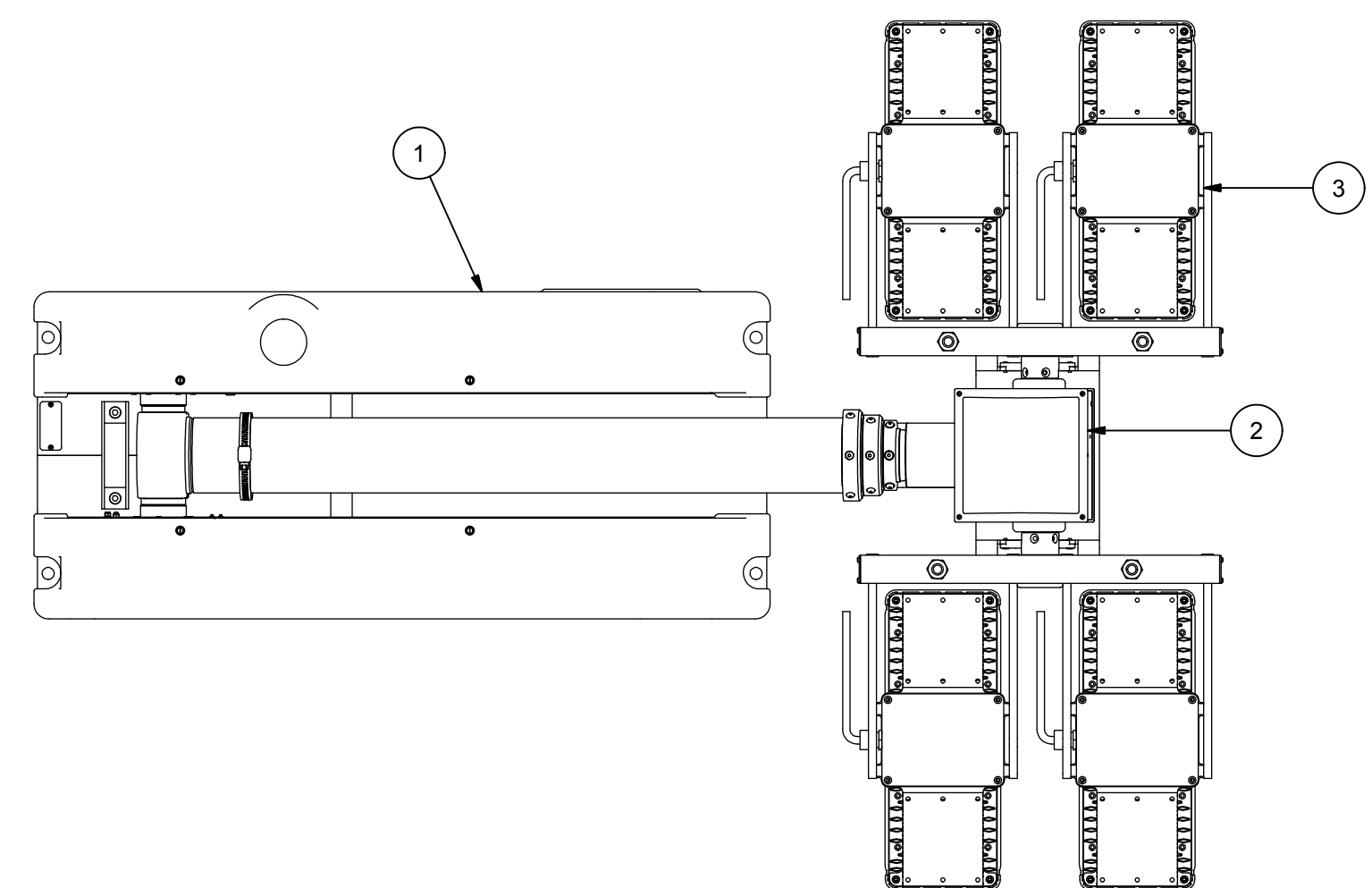


REVISION HISTORY				
ECN	REV	DESCRIPTION	DATE	APPROVED
12785	00	INITIAL RELEASE	6/26/2015	RCC
13015	A	Added 720785014 Assy.	12/2/2015	RCC
13113	B	Added 720785015 Assy.	3/1/2016	RCC
13194	C	Added 720785016 Assy.	4/18/2016	RCC

B

A

A



- NOTES:
- 1 APPLY RTV #739 OR EQUAL TO ALL OPEN HOLES.
 - 2 SEE WIRING DIAGRAM WD-46276 FOR ALL UNITS.
 - 3 SET LIGHT BARS HOME POSITION PARALLEL TO BASE PLATE WHEN STOWED.

BOM			
ITEM	QTY	PART NUMBER	DESCRIPTION
1	1	4522001	BASE ASSEMBLY, 7.5 CLR
2	1	4548301	NSC RCP, LIGHTS ONLY
3	1	SEE TABLE	SPECTRA 1344W (4X336W) WHT
4	1	4558901	NSC LABEL KIT CE (NOT SHOWN)
5	1	TP-4602001	MANUAL, NS 1.8/2.3, CE, CD VERSION (NOT SHOWN)
6	1	WD-46276	WIRING DIAGRAM (NOT SHOWN)

UNLESS OTHERWISE SPECIFIED DIMENSIONS ARE IN INCHES.

TOLERANCES ON DECIMALS ANGLES
 0 = ± 0.030 ± 1/2°
 00 = ± 0.010
 000 = ± 0.005

FRACTIONAL ± 1/64"

1. ALL INSIDE EDGES TO HAVE .005" TO .035" FILLETS.
 2. ALL OUTSIDE EDGES TO HAVE .005" TO .015" CHAMFER OR RADIUS.
 125 ON ALL MACHINED SURFACES

APPROX. WT:124.5 lbmass

THIRD ANGLE PROJECTION

PROPRIETARY AND CONFIDENTIAL

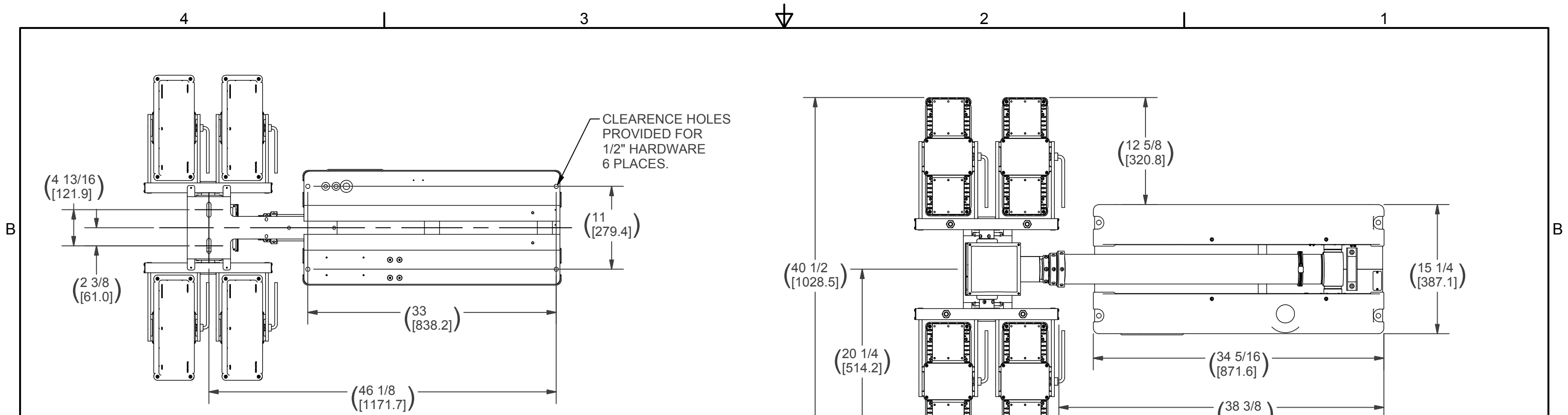
THE INFORMATION CONTAINED IN THIS DRAWING IS THE SOLE PROPERTY OF THE WILL-BURT COMPANY ANY REPRODUCTION IN PART OR WHOLE WITHOUT THE WRITTEN PERMISSION OF THE WILL-BURT COMPANY IS PROHIBITED.

APPROVALS	DATE
DRAWN RCC	6/26/2015
CHECKED	

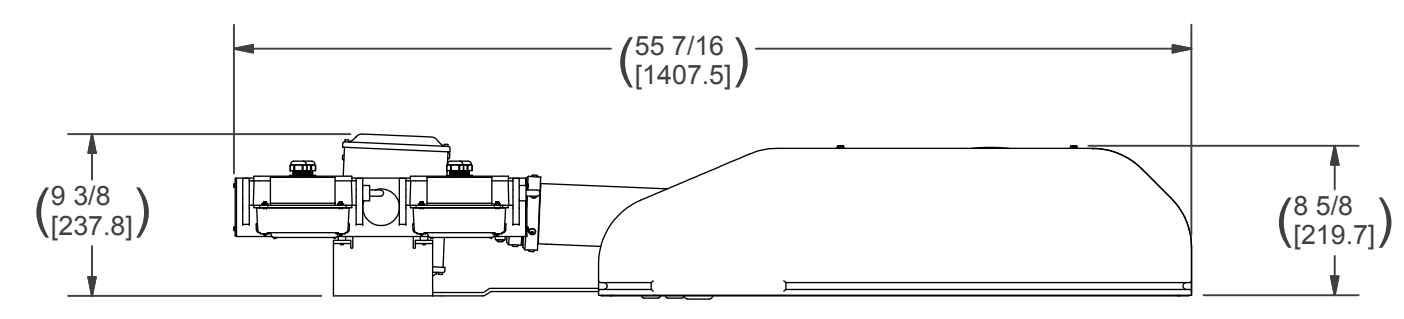
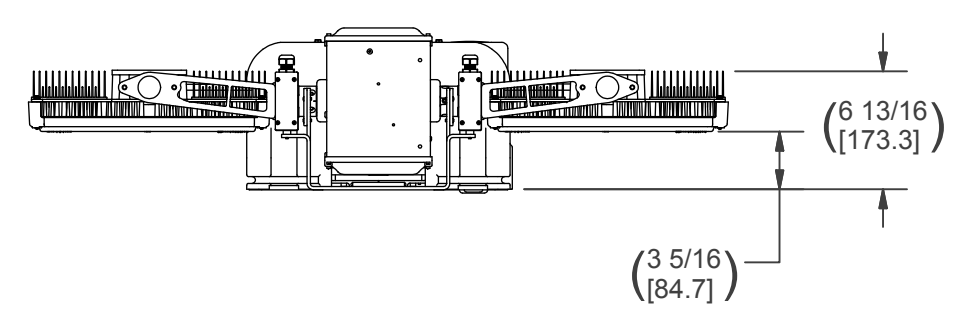
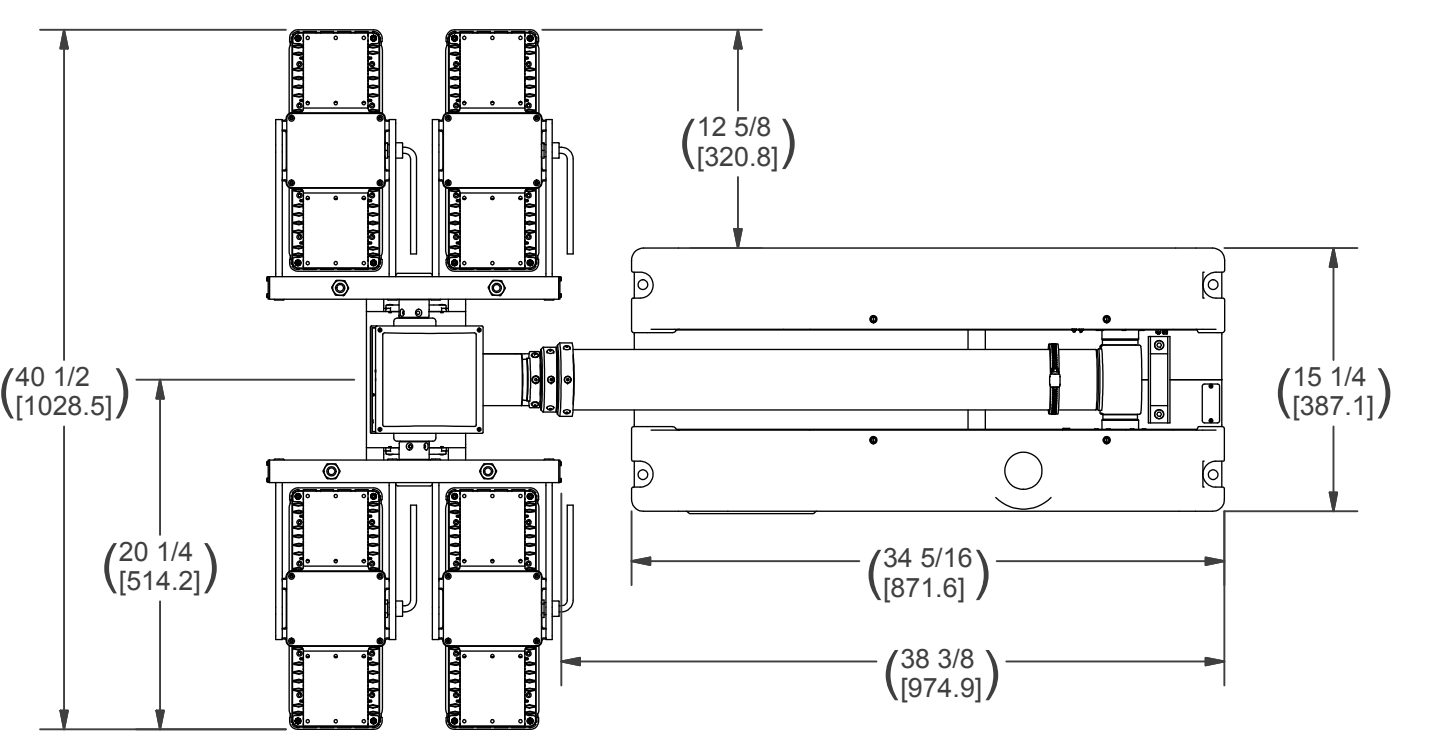
WILL-BURT AN EMPLOYEE OWNED COMPANY
ORRVILLE, OH

TITLE
**NS 2.3 1344 (4X336W)
SPC MAX/MAX-S**

SIZE B	DWG NO 720785013	REV C
PN: SEE TABLE ABOVE		SHEET 1 OF 2



**MOUNTING (BOLT PATTERN)
(BOTTOM VIEW)**



ALL SPECIFICATIONS SUBJECT TO CHANGE WITHOUT NOTICE.

NOTES:
PRIMARY DIMENSIONS INCHES
SECONDARY DIMENSIONS MILLIMETERS.

APPROX. WT:124.5 lbmass
THIRD ANGLE PROJECTION

UNLESS OTHERWISE SPECIFIED
DIMENSIONS ARE IN INCHES.
TOLERANCES ON DECIMALS ANGLES
0 = ± 0.030 ± 1/2°
00 = ± 0.010
000 = ± 0.005
FRACTIONAL ± 1/64"
1. ALL INSIDE EDGES TO HAVE
.005" TO .035" FILLETS.
2. ALL OUTSIDE EDGES TO HAVE
.005" TO .015" CHAMFER OR RADIUS.
125° ON ALL MACHINED SURFACES

PROPRIETARY AND CONFIDENTIAL
THE INFORMATION CONTAINED IN THIS
DRAWING IS THE SOLE PROPERTY OF THE
WILL-BURT COMPANY ANY REPRODUCTION
IN PART OR WHOLE WITHOUT THE WRITTEN
PERMISSION OF THE WILL-BURT COMPANY IS
PROHIBITED.

APPROVALS	DATE
DRAWN RCC	6/26/2015
CHECKED	

W3 AN EMPLOYEE OWNED COMPANY
WILL-BURT ORRVILLE, OH

TITLE
**NS 2.3 1344 (4X336W)
SPC MAX/MAX-S**

SIZE B	DWG NO 720785013	REV C
PN: SEE TABLE ABOVE	SHEET 2 OF 2	