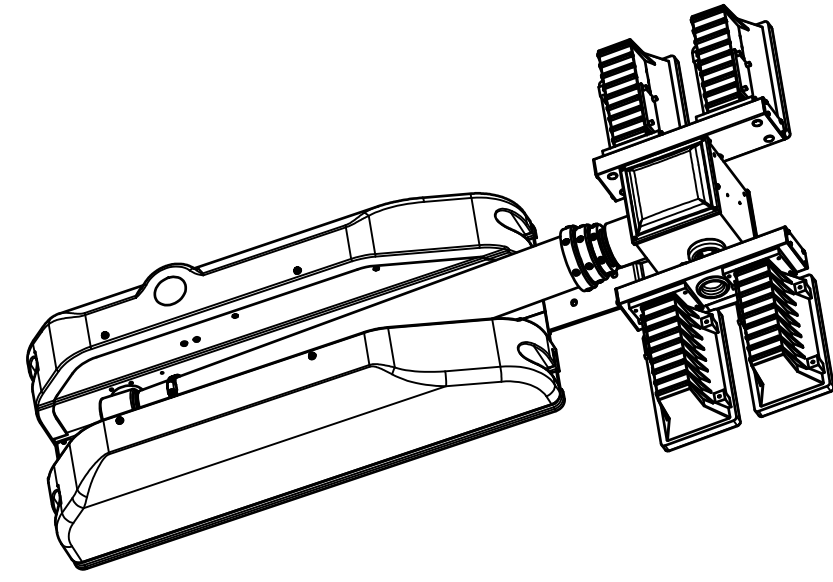
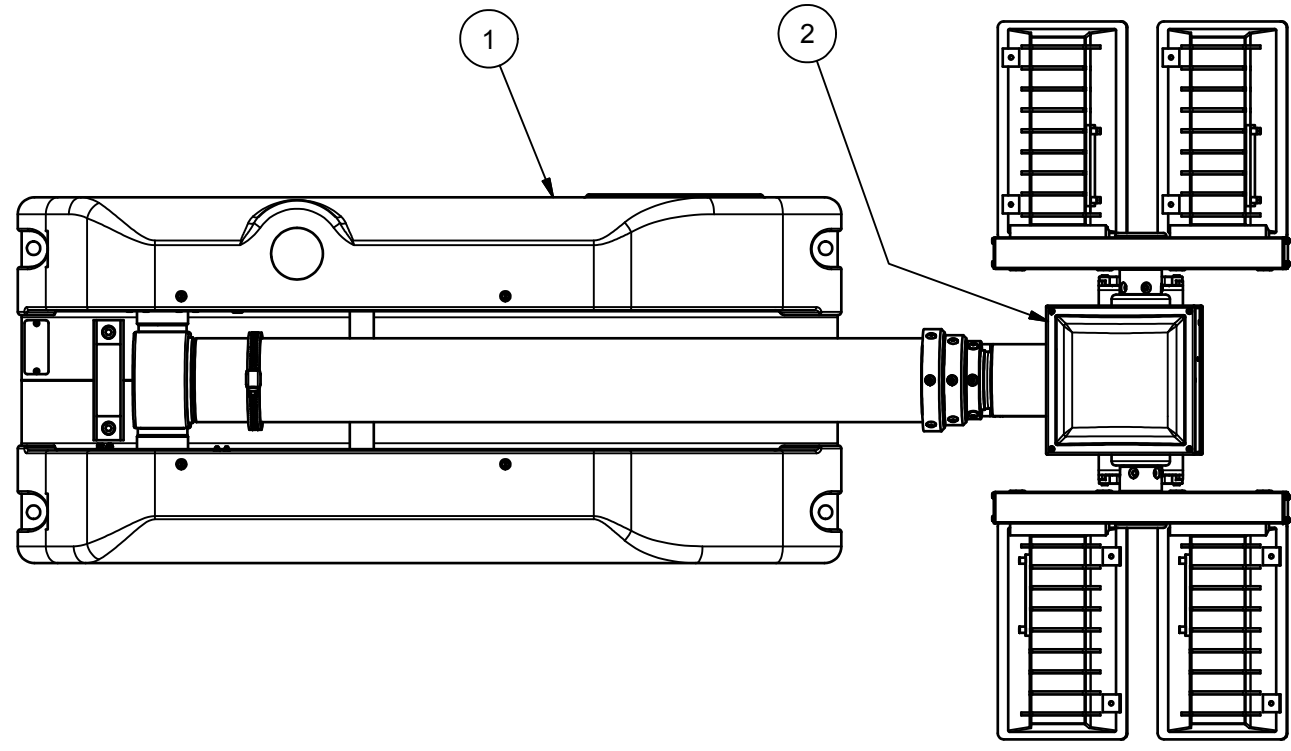


REVISION HISTORY				
ECN	REV	DESCRIPTION	DATE	BY/APPR
10562	00	INITIAL RELEASE	6/1/2011	RCC\



BOM				
ITEM	QTY	PART NUMBER	DESCRIPTION	
1	1	4522001	BASE ASSEMBLY, 7.5 CLR	
2	1	4548301	NSC RCP, LIGHTS ONLY	
3	1	4590905	MGN 4 LIGHT, 3000W (4-750W 220VAC) WHT	
4	1	4558901	NSC LABEL KIT (NOT SHOWN)	
5	1	900600	MAST OIL (SHIP LOOSE)	
6	1	TP-4602001	MANUAL, NS 1.8/2.3, CE, CD VERSION (NOT SHOWN)	

NOTES:

- 1 APPLY RTV #739 OR EQUAL TO ALL OPEN HOLES.
- 2 SEE WIRING DIAGRAM 46066 FOR ALL UNITS.
- 3 SET LIGHT BARS HOME POSITION PARALLEL TO BASE PLATE WHEN STOWED.

APPROX. WT: 93.72 lbmass

THIRD ANGLE PROJECTION



UNLESS OTHERWISE SPECIFIED DIMENSIONS ARE IN INCHES.  
 TOLERANCES ON DECIMALS    ANGLES  
 0 = ± 0.030                    ± 1/2°  
 00 = ± 0.010  
 000 = ± 0.005  
 FRACTIONAL ± 1/64"  
 1. ALL INSIDE EDGES TO HAVE .005" TO .035" FILLETS.  
 2. ALL OUTSIDE EDGES TO HAVE .005" TO .015" CHAMFER OR RADIUS.  
 125° ON ALL MACHINED SURFACES

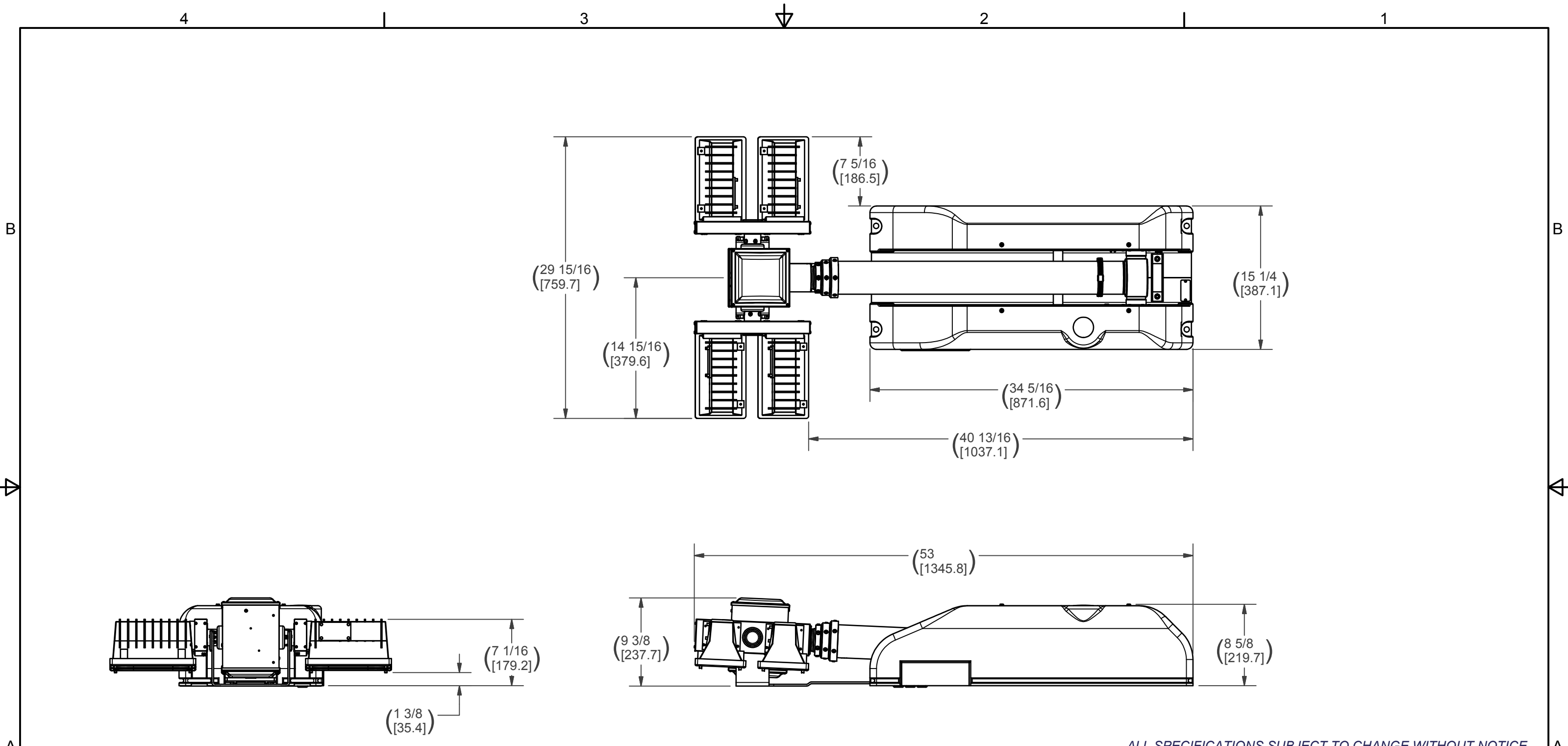
**PROPRIETARY AND CONFIDENTIAL**  
 THE INFORMATION CONTAINED IN THIS DRAWING IS THE SOLE PROPERTY OF THE WILL-BURT COMPANY ANY REPRODUCTION IN PART OR WHOLE WITHOUT THE WRITTEN PERMISSION OF THE WILL-BURT COMPANY IS PROHIBITED.



TITLE  
**NS 2.3-3000-4 MGN-220V**

APPROVALS	DATE
DRAWN RCC	6/1/2011
CHECKED	

SIZE	DWG NO	REV
B	720715045	00
PN: 720715045		SHEET 1 OF 3



ALL SPECIFICATIONS SUBJECT TO CHANGE WITHOUT NOTICE.

NOTES:  
 PRIMARY DIMENSIONS INCHES  
 SECONDARY DIMENSIONS MILLIMETERS.

APPROX. WT: 93.72 lbmass

THIRD ANGLE PROJECTION



UNLESS OTHERWISE SPECIFIED  
 DIMENSIONS ARE IN INCHES.

TOLERANCES ON DECIMALS	ANGLES
0 = ± 0.030	± 1/2°
00 = ± 0.010	
000 = ± 0.005	

FRACTIONAL ± 1/64"

- ALL INSIDE EDGES TO HAVE .005" TO .035" FILLETS.
- ALL OUTSIDE EDGES TO HAVE .005" TO .015" CHAMFER OR RADIUS.

125° ON ALL MACHINED SURFACES

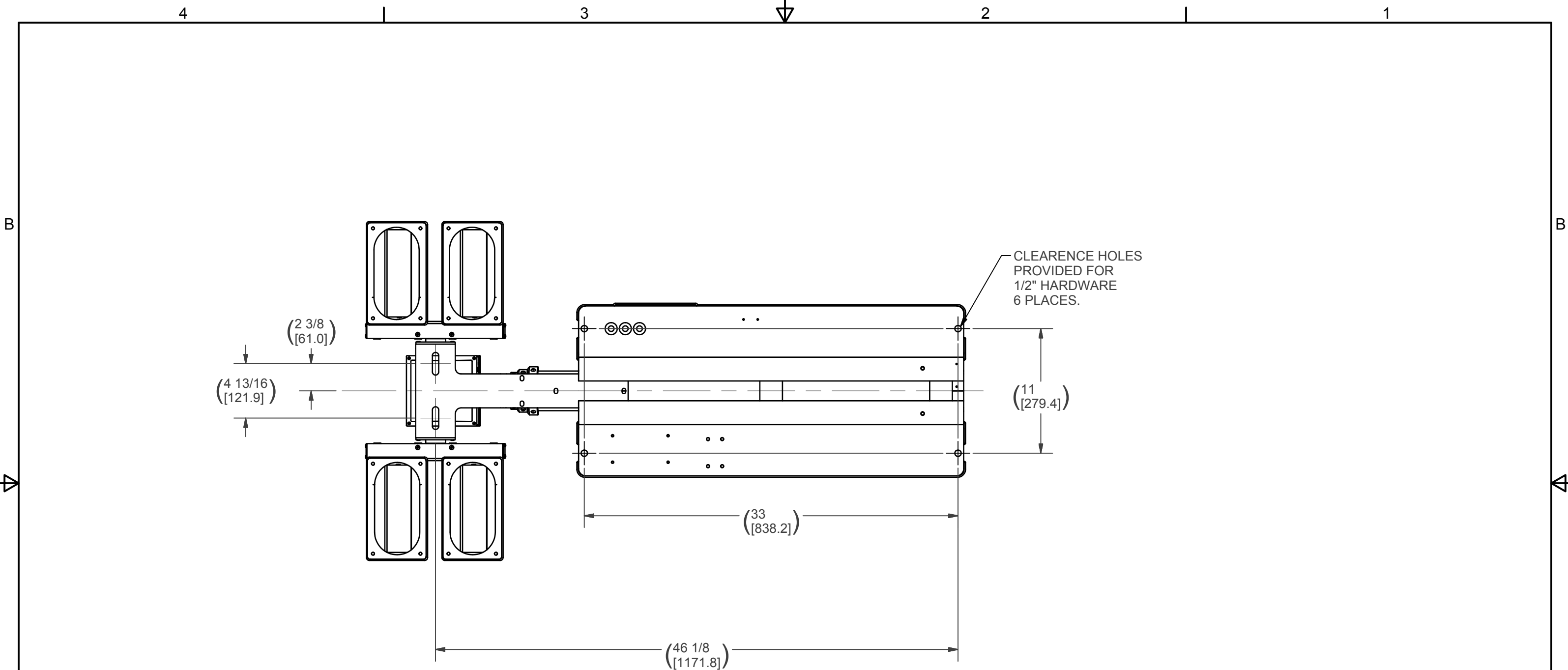
**PROPRIETARY AND CONFIDENTIAL**  
 THE INFORMATION CONTAINED IN THIS  
 DRAWING IS THE SOLE PROPERTY OF THE  
 WILL-BURT COMPANY ANY REPRODUCTION  
 IN PART OR WHOLE WITHOUT THE WRITTEN  
 PERMISSION OF THE WILL-BURT COMPANY IS  
 PROHIBITED.

**W3** AN EMPLOYEE OWNED COMPANY  
 WILL-BURT ORRVILLE, OH

TITLE  
**NS 2.3-3000-4 MGN-220V**

APPROVALS	DATE
DRAWN RCC	6/1/2011
CHECKED	

SIZE B	DWG NO 720715045	REV 00
PN: 720715045		SHEET 2 OF 3



**MOUNTING (BOLT PATTERN)**

NOTES:  
 PRIMARY DIMENSIONS INCHES  
 SECONDARY DIMENSIONS MILLIMETERS.

UNLESS OTHERWISE SPECIFIED  
 DIMENSIONS ARE IN INCHES.

TOLERANCES ON DECIMALS	ANGLES
0 = ± 0.030	± 1/2°
00 = ± 0.010	
000 = ± 0.005	

FRACTIONAL ± 1/64"

- ALL INSIDE EDGES TO HAVE .005" TO .035" FILLETS.
- ALL OUTSIDE EDGES TO HAVE .005" TO .015" CHAMFER OR RADIUS.

125° ON ALL MACHINED SURFACES

APPROX. WT: 93.72 lbmass

THIRD ANGLE PROJECTION



**PROPRIETARY AND CONFIDENTIAL**  
 THE INFORMATION CONTAINED IN THIS  
 DRAWING IS THE SOLE PROPERTY OF THE  
 WILL-BURT COMPANY ANY REPRODUCTION  
 IN PART OR WHOLE WITHOUT THE WRITTEN  
 PERMISSION OF THE WILL-BURT COMPANY IS  
 PROHIBITED.

**WB** AN EMPLOYEE OWNED COMPANY  
 WILL-BURT ORRVILLE, OH

TITLE  
**NS 2.3-3000-4 MGN-220V**

APPROVALS	DATE
DRAWN RCC	6/1/2011
CHECKED	

SIZE B	DWG NO 720715045	REV 00
PN: 720715045		SHEET 3 OF 3