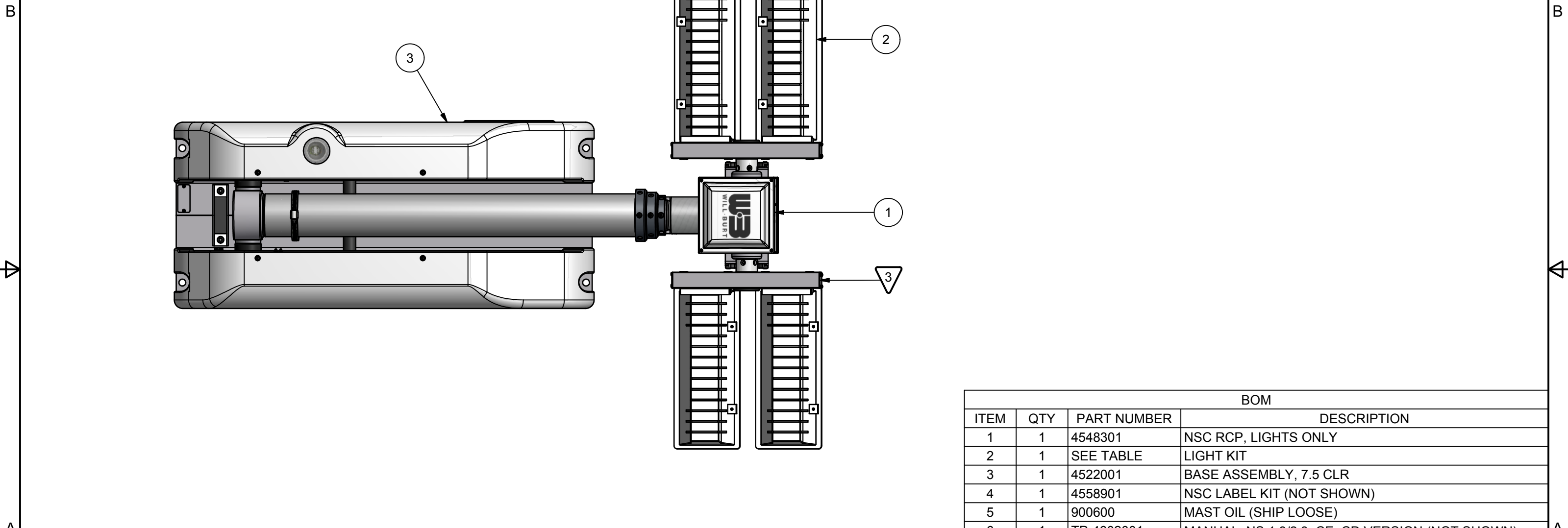


ASSEMBLY NO	ITEM 2 NO	ITEM 2 DESCRIPTION
720718041	4590901	MGN 4 LIGHT, 3600W (4-900W 220VAC) WHT
720715041	4590903	MGN 4 LIGHT, 3000W (4-750W 110VAC) WHT
720715046	4590910	MGN 4 LIGHT, 6000W (4-1500W 220VAC) WHT



REVISION HISTORY				
ECN	REV	DESCRIPTION	DATE	BY/APPR
10272	00	INITIAL RELEASE	10/18/2010	CJM/
10341	A	TP-4602001 was 4022310	12/8/2010	CJM/
10428	B	ADDED DIMENSIONS; ADDED TABULATED BOM	2/15/2011	SMB\
10829	C	Added New P/N 720715046	12/12/2011	RCC\



BOM			
ITEM	QTY	PART NUMBER	DESCRIPTION
1	1	4548301	NSC RCP, LIGHTS ONLY
2	1	SEE TABLE	LIGHT KIT
3	1	4522001	BASE ASSEMBLY, 7.5 CLR
4	1	4558901	NSC LABEL KIT (NOT SHOWN)
5	1	900600	MAST OIL (SHIP LOOSE)
6	1	TP-4602001	MANUAL, NS 1.8/2.3, CE, CD VERSION (NOT SHOWN)

- NOTES:
- 1 APPLY RTV #739 OR EQUAL TO ALL OPEN HOLES.
 - 2 SEE WIRING DIAGRAM 46066 FOR ALL UNITS.
 - 3 SET LIGHT BARS HOME POSITION PARALLEL TO BASE PLATE WHEN STOWED.

APPROX. WT: N/A

THIRD ANGLE PROJECTION



UNLESS OTHERWISE SPECIFIED
 DIMENSIONS ARE IN INCHES.
 TOLERANCES ON DECIMALS ANGLES
 0 ± 0.030 ± 1/2°
 00 ± 0.010
 000 ± 0.005
 FRACTIONAL ± 1/64"
 1. ALL INSIDE EDGES TO HAVE .005" TO .035" FILLETS.
 2. ALL OUTSIDE EDGES TO HAVE .005" TO .015" CHAMFER OR RADIUS.
 125° ON ALL MACHINED SURFACES

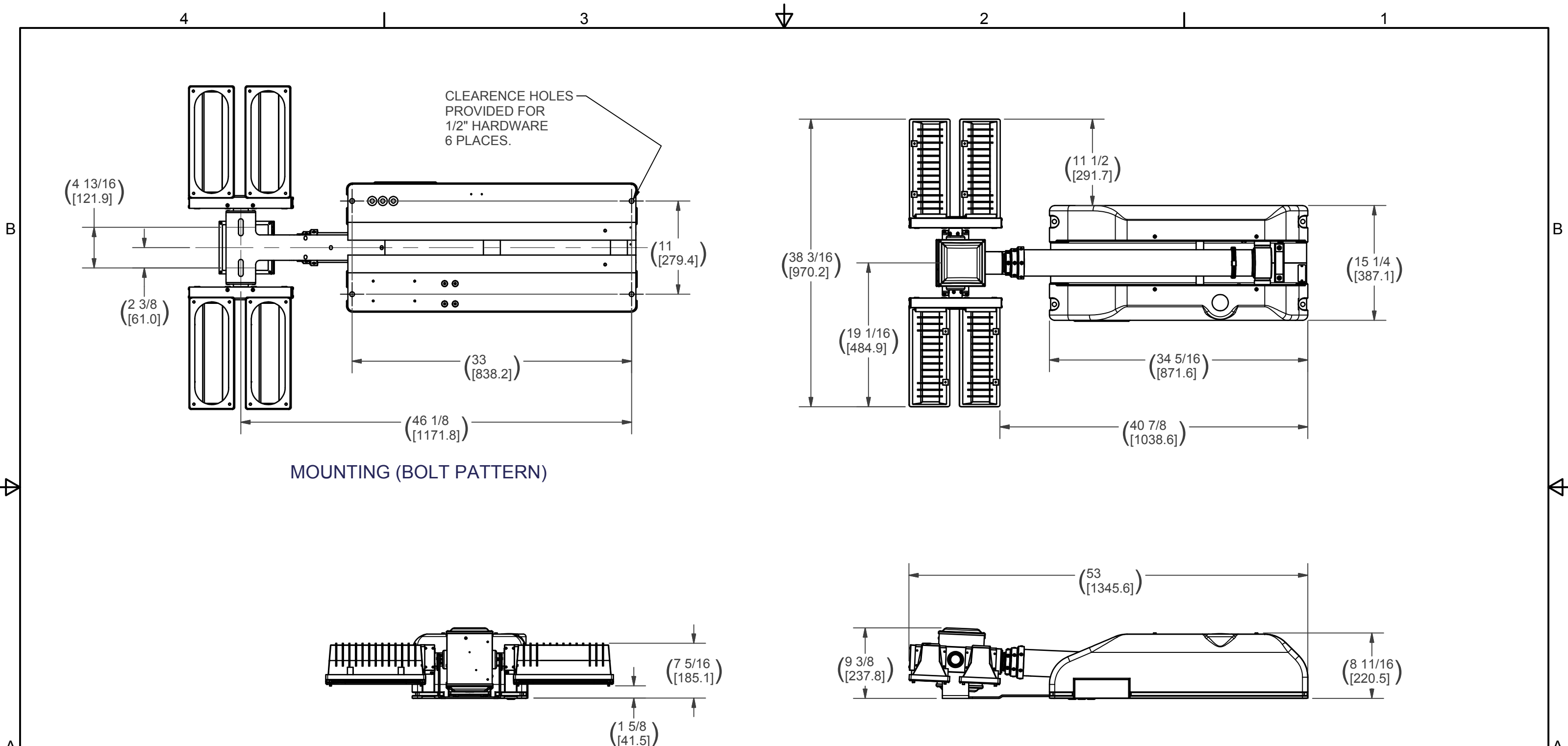
PROPRIETARY AND CONFIDENTIAL
 THE INFORMATION CONTAINED IN THIS DRAWING IS THE SOLE PROPERTY OF THE WILL-BURT COMPANY ANY REPRODUCTION IN PART OR WHOLE WITHOUT THE WRITTEN PERMISSION OF THE WILL-BURT COMPANY IS PROHIBITED.



TITLE
NS 2.3 4-LIGHT MAGNAFIRE

APPROVALS	DATE
DRAWN SMB	2/15/2011
CHECKED	

SIZE	DWG NO	REV
B	720718041	C
PN: 720718041		SHEET 1 OF 2



APPROX. WT: N/A

THIRD ANGLE PROJECTION

UNLESS OTHERWISE SPECIFIED
DIMENSIONS ARE IN INCHES.
TOLERANCES ON DECIMALS ANGLES
0 = ± 0.030 ± 1/2°
.00 = ± 0.010
.000 = ± 0.005
FRACTIONAL ± 1/64"
1. ALL INSIDE EDGES TO HAVE .005" TO .035" FILLETS.
2. ALL OUTSIDE EDGES TO HAVE .005" TO .015" CHAMFER OR RADIUS.
125° ON ALL MACHINED SURFACES

PROPRIETARY AND CONFIDENTIAL

THE INFORMATION CONTAINED IN THIS DRAWING IS THE SOLE PROPERTY OF THE WILL-BURT COMPANY ANY REPRODUCTION IN PART OR WHOLE WITHOUT THE WRITTEN PERMISSION OF THE WILL-BURT COMPANY IS PROHIBITED.

APPROVALS	DATE
DRAWN SMB	2/15/2011
CHECKED	

W3 AN EMPLOYEE OWNED COMPANY
WILL-BURT ORRVILLE, OH

TITLE
NS 2.3 4-LIGHT MAGNAFIRE

SIZE	DWG NO	REV
B	720718041	C

PN: 720718041 SHEET 2 OF 2