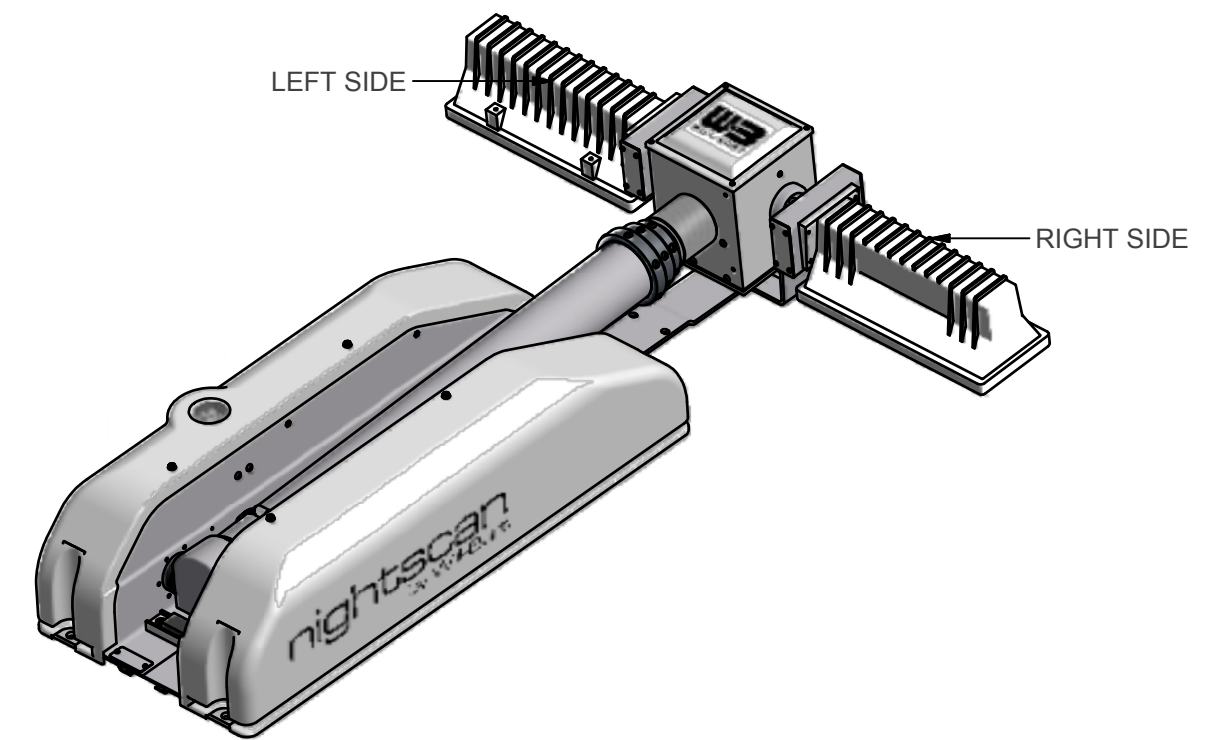
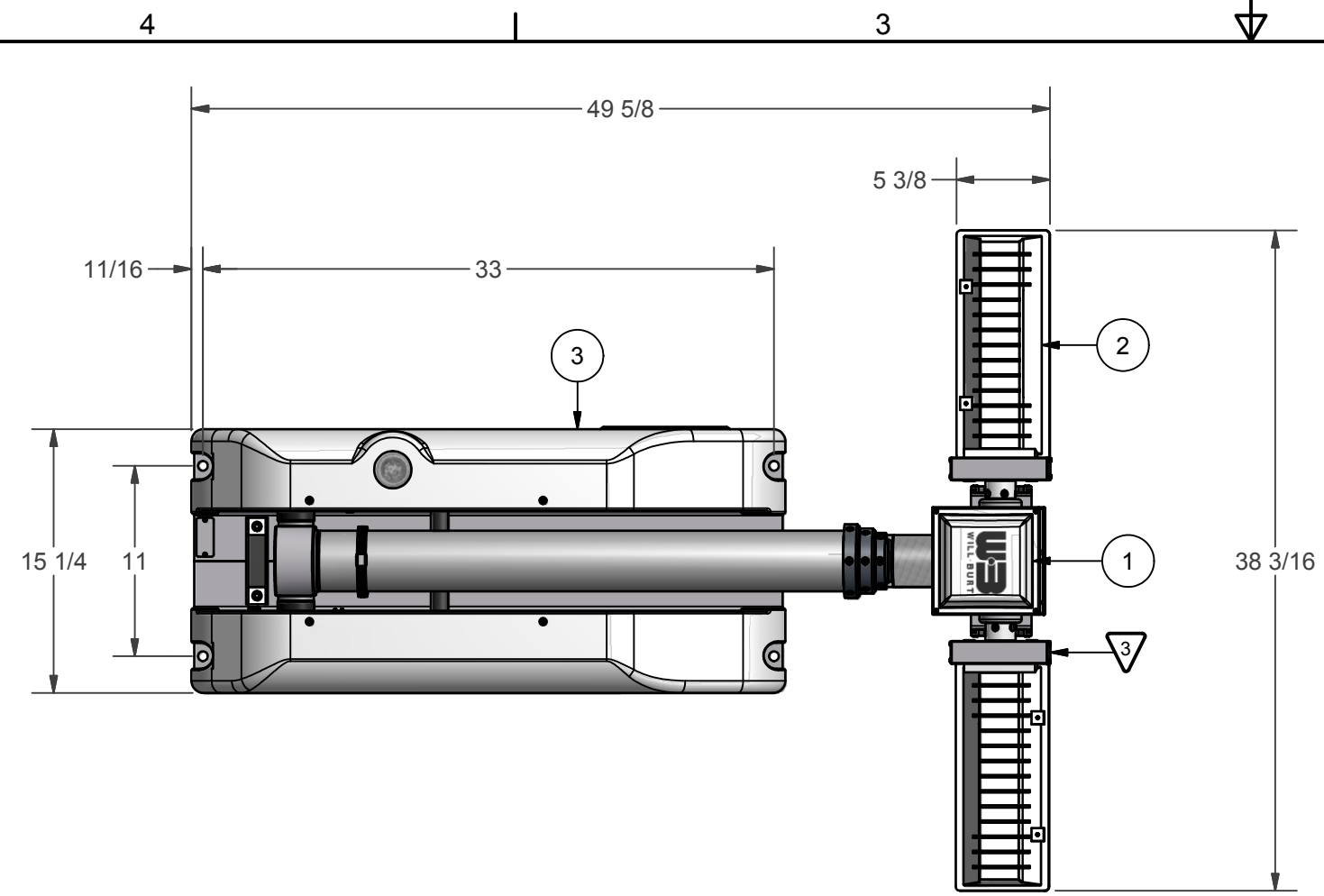


| REVISION HISTORY | | | | |
|------------------|-----|-----------------|----------|---------|
| ECN | REV | DESCRIPTION | DATE | BY/APPR |
| 10521 | A | INITIAL RELEASE | 5/5/2011 | SMB\ |



NOTES:

- 1 APPLY RTV #739 OR EQUAL TO ALL OPEN HOLES.
- 2 SEE WIRING DIAGRAM 46066 FOR ALL UNITS.
- 3 SET LIGHT BARS HOME POSITION PARALLEL TO BASE PLATE WHEN STOWED.



| | |
|------------------------|---|
| MATERIAL | UNLESS OTHERWISE SPECIFIED DIMENSIONS ARE IN INCHES. |
| FINISH | TOLERANCES ON DECIMALS ANGLES 0 = ± 0.030 ± 1/2° 00 = ± 0.010 000 = ± 0.005 |
| APPROX. WT: N/A | FRACTIONAL ± 1/64" 1. ALL INSIDE EDGES TO HAVE .005" TO .035" FILLETS. 2. ALL OUTSIDE EDGES TO HAVE .005" TO .015" CHAMFER OR RADIUS. |
| THIRD ANGLE PROJECTION | 125° ON ALL MACHINED SURFACES |

| | |
|---|----------|
| PROPRIETARY AND CONFIDENTIAL THE INFORMATION CONTAINED IN THIS DRAWING IS THE SOLE PROPERTY OF THE WILL-BURT COMPANY ANY REPRODUCTION IN PART OR WHOLE WITHOUT THE WRITTEN PERMISSION OF THE WILL-BURT COMPANY IS PROHIBITED. | |
| APPROVALS | DATE |
| DRAWN SMB | 5/5/2011 |
| CHECKED | |

| | |
|---|---------------------|
| WB AN EMPLOYEE OWNED COMPANY WILL-BURT ORRVILLE, OH | |
| TITLE NS 2.3-300-2 MGN 12V & 24V WHITE | |
| SIZE B | DWG NO 720723041 |
| REV A | |
| PN: 720723041 | SHEET 1 OF 2 |

| BOM | | | |
|------|-----|-------------|--|
| ITEM | QTY | PART NUMBER | DESCRIPTION |
| 1 | 1 | 4548301 | NSC RCP, LIGHTS ONLY |
| 2 | 1 | SEE TABLE | LIGHT KIT |
| 3 | 1 | 4522001 | BASE ASSEMBLY, 7.5 CLR |
| 4 | 1 | 4558901 | NSC LABEL KIT (NOT SHOWN) |
| 5 | 1 | 900600 | MAST OIL (SHIP LOOSE) |
| 6 | 1 | TP-4602001 | MANUAL, NS 1.8/2.3, CE, CD VERSION (NOT SHOWN) |

| ASSEMBLY NO | ITEM 2 NO | ITEM 2 DESCRIPTION |
|-------------|-----------|--|
| 720723041 | 4596001 | MGN 2 LIGHT, 300W (2-150 12/24VDC) WHT |
| 720714041 | 4596003 | MGN 2 LIGHT, 1500W (2-750 110VAC) WHT |
| 720717041 | 4596005 | MGN 2 LIGHT, 1800W (2-900 220VAC) WHT |

| | | | | | |
|---|---|--|--|---|--|
| MATERIAL | UNLESS OTHERWISE SPECIFIED DIMENSIONS ARE IN INCHES. TOLERANCES ON DECIMALS ANGLES 0 = ± 0.030 ± 1/2' 00 = ± 0.010 000 = ± 0.005 FRACTIONAL ± 1/64" 1. ALL INSIDE EDGES TO HAVE .005" TO .035" FILLETS. 2. ALL OUTSIDE EDGES TO HAVE .005" TO .015" CHAMFER OR RADIUS. 125° ON ALL MACHINED SURFACES | PROPRIETARY AND CONFIDENTIAL THE INFORMATION CONTAINED IN THIS DRAWING IS THE SOLE PROPERTY OF THE WILL-BURT COMPANY ANY REPRODUCTION IN PART OR WHOLE WITHOUT THE WRITTEN PERMISSION OF THE WILL-BURT COMPANY IS PROHIBITED. | |  AN EMPLOYEE OWNED COMPANY WILL-BURT ORRVILLE, OH | |
| FINISH | | | | TITLE NS 2.3-300-2 MGN 12V & 24V WHITE | |
| APPROX. WT: N/A | | APPROVALS DATE DRAWN 5/5/2011 | SIZE DWG NO REV B 720723041 A | | |
| THIRD ANGLE PROJECTION  | | CHECKED | PN: 720723041 SHEET 2 OF 2 | | |