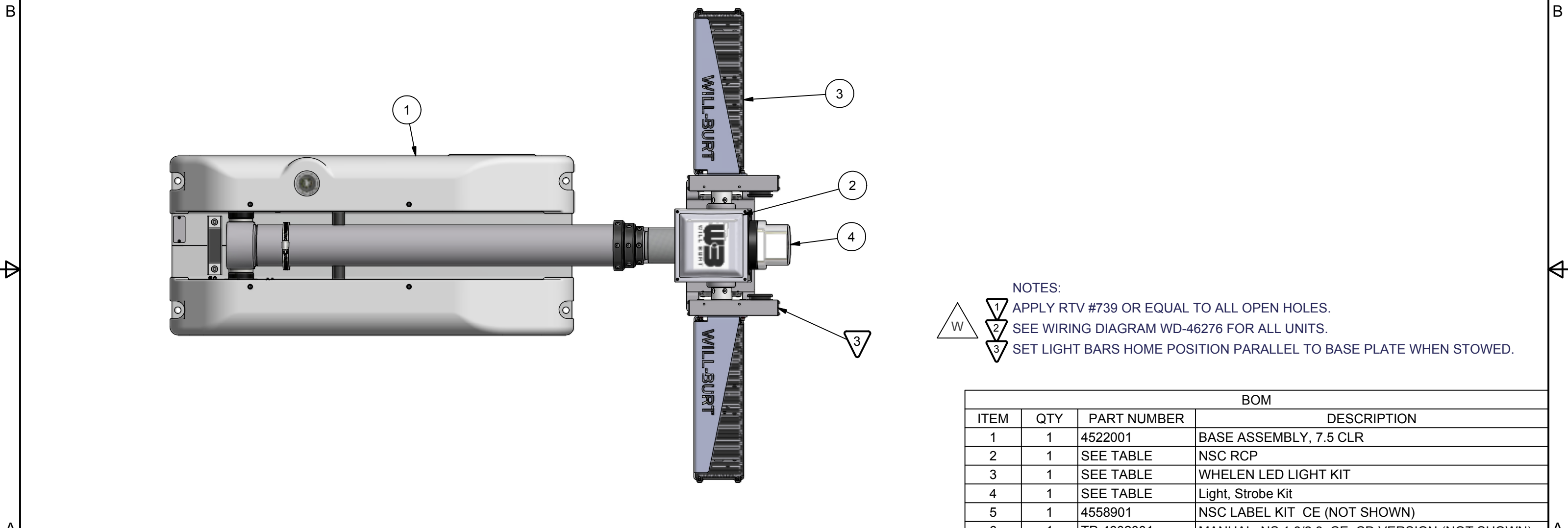


Table				
PART NUMBER	DESCRIPTION	ITEM-2 P/N	ITEM-3 P/N	ITEM-4 P/N
720711940	NS 2.3 300 (2X150) LED 12VDC WHL FLD	4548301	4597102	NONE
720712340	NS 2.3 300 (2X150) LED 24VDC WHL FLD	4548301	4597104	NONE
720712601	NS 2.3 300 (2X150) LED 12VDC WHL FLD/SPT	4548301	4597105	NONE
720712603	NS 2.3 300 (2X150) LED 24VDC WHL FLD/SPT	4548301	4597106	NONE
720713601	NS 2.3 300 (2X150) LED 110VDC WHL SPT/FLD	4548301	4621503	NONE
720712600	NS 2.3-300 WHL LED 24VDC, SPT/FLD RED STRB	4548305	4597106	4481602
720713600	NS 2.3-300 WHL LED 110 VAC, FLD/FLD	4548301	4621502	NONE
720713598	NS 2.3-300 WHL LED 110 VAC, FLD/FLD GRN STRB	4548305	4621502	4481603

REVISION HISTORY				
ECN	REV	DESCRIPTION	DATE	BY/APPR
12078	U	Added 720713600	3/19/2014	RCC
12494	V	Added 720713598	12/11/2014	RCC
12580	W	CHANGED NOTE TWO TO REFERENCE DRAWING WD-46276	3/20/2015	KWBH



NOTES:

- 1 APPLY RTV #739 OR EQUAL TO ALL OPEN HOLES.
- 2 SEE WIRING DIAGRAM WD-46276 FOR ALL UNITS.
- 3 SET LIGHT BARS HOME POSITION PARALLEL TO BASE PLATE WHEN STOWED.

BOM			
ITEM	QTY	PART NUMBER	DESCRIPTION
1	1	4522001	BASE ASSEMBLY, 7.5 CLR
2	1	SEE TABLE	NSC RCP
3	1	SEE TABLE	WHELEN LED LIGHT KIT
4	1	SEE TABLE	Light, Strobe Kit
5	1	4558901	NSC LABEL KIT CE (NOT SHOWN)
6	1	TP-4602001	MANUAL, NS 1.8/2.3, CE, CD VERSION (NOT SHOWN)

UNLESS OTHERWISE SPECIFIED DIMENSIONS ARE IN INCHES.

TOLERANCES ON DECIMALS ANGLES
 0 = ± 0.030 ± 1/2°
 00 = ± 0.010
 000 = ± 0.005

FRACTIONAL ± 1/64"

1. ALL INSIDE EDGES TO HAVE .005" TO .035" FILLETS.
 2. ALL OUTSIDE EDGES TO HAVE .005" TO .015" CHAMFER OR RADIUS.

125° ON ALL MACHINED SURFACES

APPROX. WT:111.0 lbmass

THIRD ANGLE PROJECTION



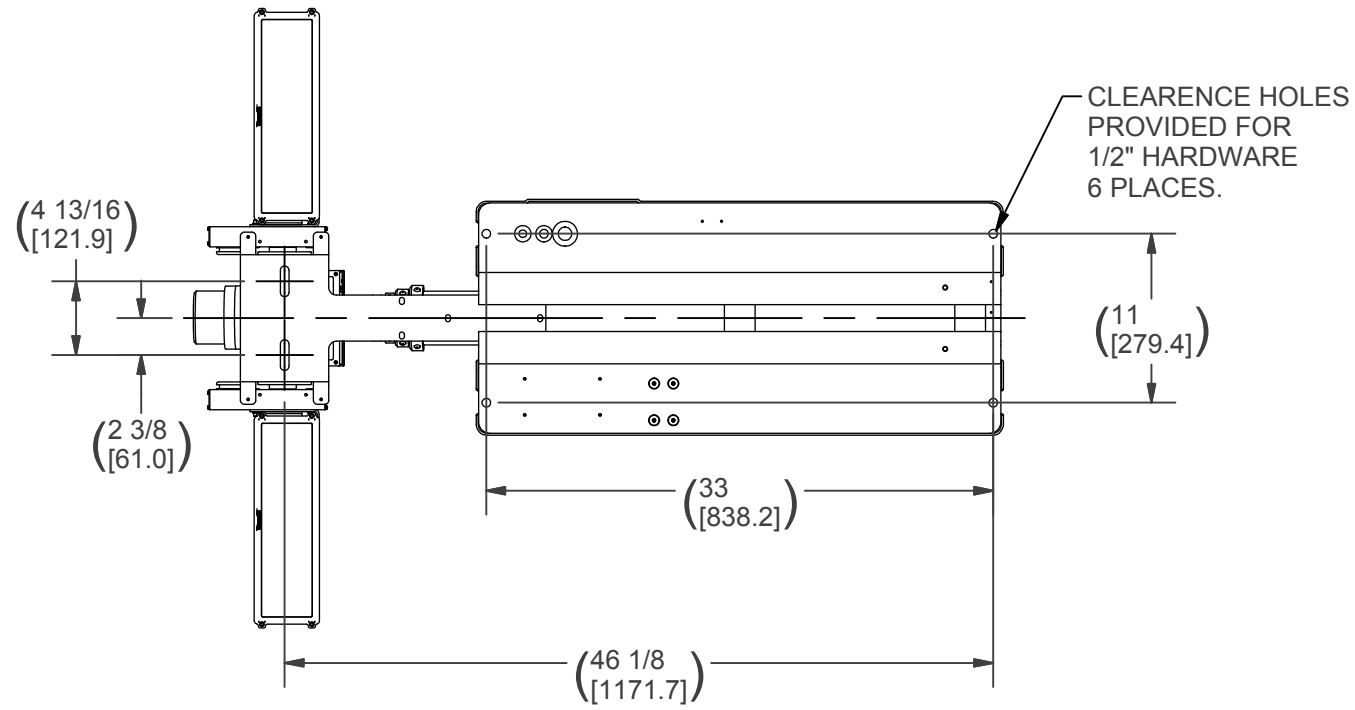
PROPRIETARY AND CONFIDENTIAL
 THE INFORMATION CONTAINED IN THIS DRAWING IS THE SOLE PROPERTY OF THE WILL-BURT COMPANY ANY REPRODUCTION IN PART OR WHOLE WITHOUT THE WRITTEN PERMISSION OF THE WILL-BURT COMPANY IS PROHIBITED.

WILL-BURT AN EMPLOYEE OWNED COMPANY
 ORRVILLE, OH

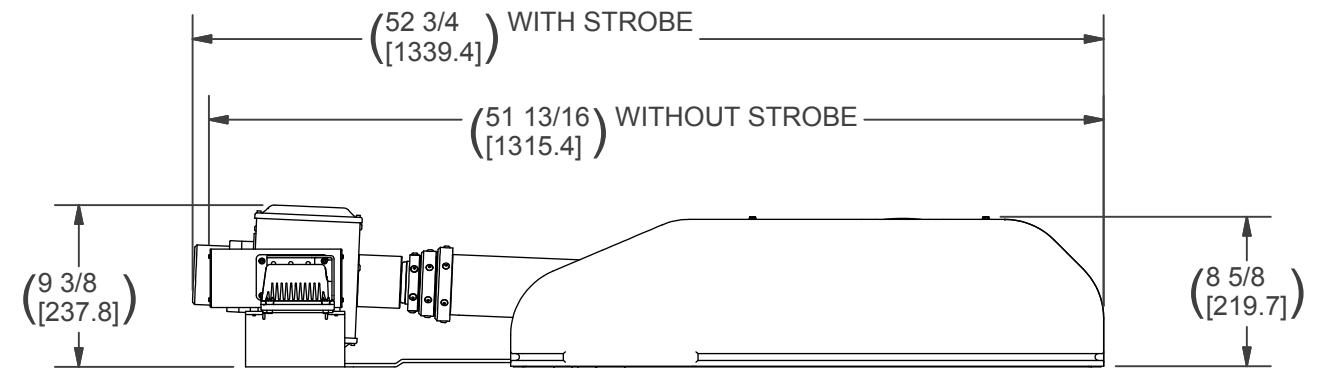
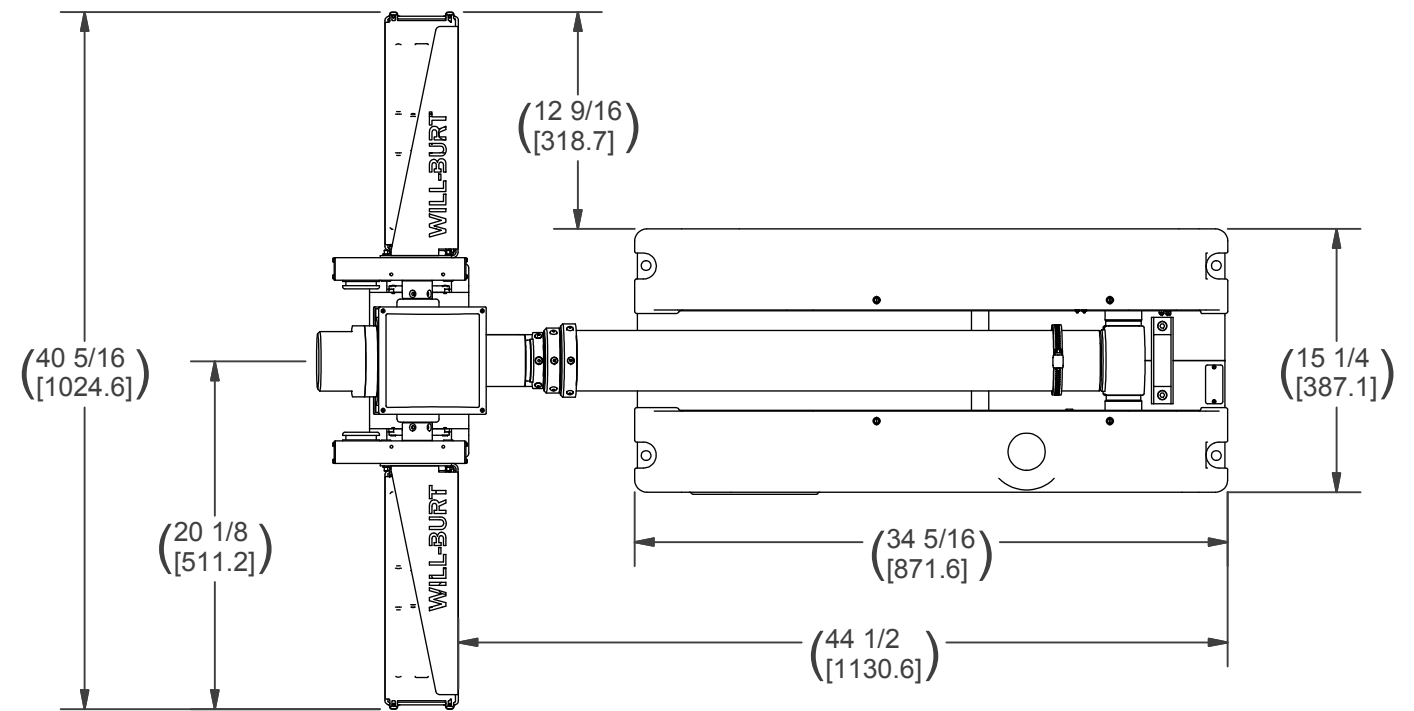
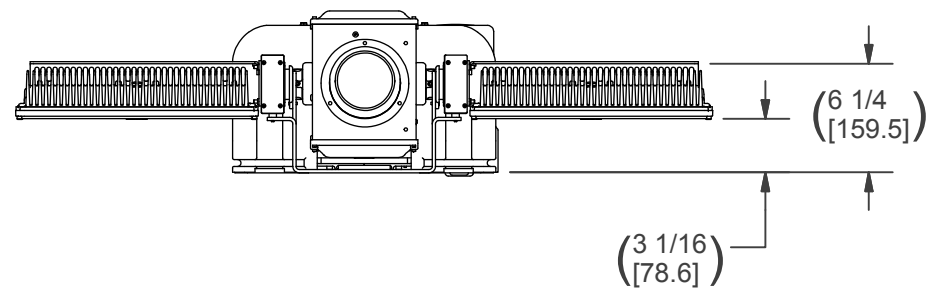
TITLE
NS 2.3 300 (2X150) LED WHL

APPROVALS	DATE
DRAWN RCC	7/22/2011
CHECKED	

SIZE	DWG NO	REV
B	720711940	W
PN: SEE TABLE ABOVE		SHEET 1 OF 2



MOUNTING (BOLT PATTERN)
(BOTTOM VIEW)



NOTES:
PRIMARY DIMENSIONS INCHES
SECONDARY DIMENSIONS MILLIMETERS.

APPROX. WT:111.0 lbmass

THIRD ANGLE PROJECTION



UNLESS OTHERWISE SPECIFIED
DIMENSIONS ARE IN INCHES.
TOLERANCES ON DECIMALS ANGLES
0 = ± 0.030 ± 1/2'
00 = ± 0.010
000 = ± 0.005
FRACTIONAL ± 1/64"
1. ALL INSIDE EDGES TO HAVE
.005" TO .035" FILLETS.
2. ALL OUTSIDE EDGES TO HAVE
.005" TO .015" CHAMFER OR RADIUS.
125° ON ALL MACHINED SURFACES

PROPRIETARY AND CONFIDENTIAL
THE INFORMATION CONTAINED IN THIS
DRAWING IS THE SOLE PROPERTY OF THE
WILL-BURT COMPANY ANY REPRODUCTION
IN PART OR WHOLE WITHOUT THE WRITTEN
PERMISSION OF THE WILL-BURT COMPANY IS
PROHIBITED.

WB AN EMPLOYEE OWNED COMPANY
WILL-BURT ORRVILLE, OH

TITLE
NS 2.3 300 (2X150) LED WHL

APPROVALS	DATE
DRAWN RCC	7/22/2011
CHECKED	

SIZE B	DWG NO 720711940	REV W
-----------	---------------------	----------

PN: SEE TABLE ABOVE SHEET 2 OF 2

ALL SPECIFICATIONS SUBJECT TO CHANGE WITHOUT NOTICE.