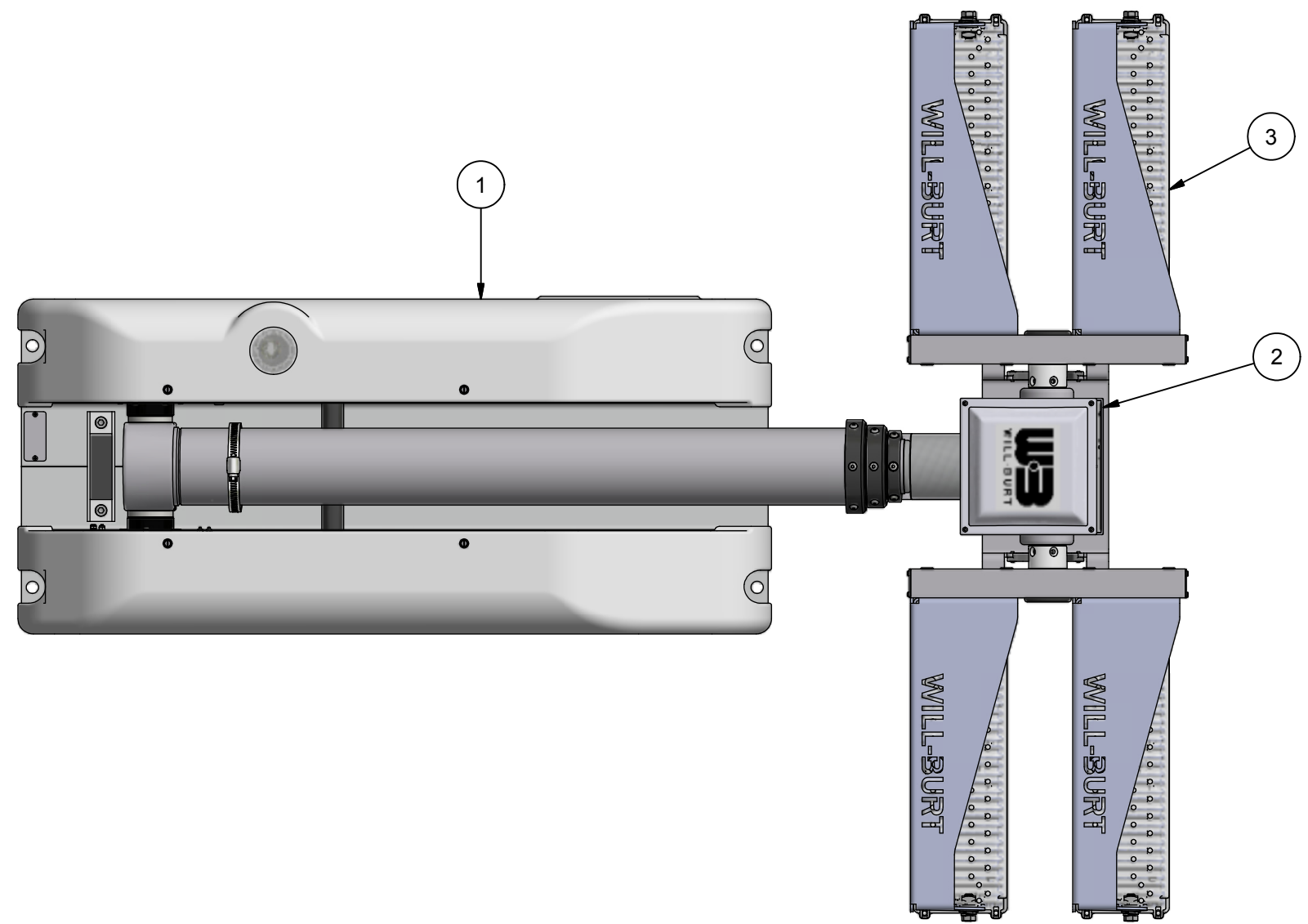


REVISION HISTORY				
ECN	REV	DESCRIPTION	DATE	APPROVED
13933	00	INITIAL RELEASE	3/26/2018	RCC



NOTES:

- 1 APPLY RTV #739 OR EQUAL TO ALL OPEN HOLES.
- 2 SEE WIRING DIAGRAM WD-46276 FOR ALL UNITS.
- 3 SET LIGHT BARS HOME POSITION PARALLEL TO BASE PLATE WHEN STOWED.

BOM			
ITEM	QTY	PART NUMBER	DESCRIPTION
1	1	4522001	BASE ASSEMBLY, 7.5 CLR
2	1	4548301	NSC RCP, LIGHTS ONLY
3	1	5524301	KIT, WHL PFH2 FLD/FLD 4-LIGHT 12VDC WHT
4	1	4558902	NSC LABEL KIT, NON-CE (NOT SHOWN)
5	1	TP-4602001	MANUAL, NS 1.8/2.3, CE, CD VERSION (NOT SHOWN)
6	1	WD-46276	WIRING DIAGRAM (NOT SHOWN)

UNLESS OTHERWISE SPECIFIED
DIMENSIONS ARE IN INCHES.

TOLERANCES ON DECIMALS ANGLES
 0 = ± 0.030 ± 1/2'
 00 = ± 0.010
 000 = ± 0.005

FRACTIONAL ± 1/64"

1. ALL INSIDE EDGES TO HAVE
.005" TO .035" FILLETS.
 2. ALL OUTSIDE EDGES TO HAVE
.005" TO .015" CHAMFER OR RADIUS.

125° ON ALL MACHINED SURFACES

APPROX. WT:128.5 lbmass

THIRD ANGLE PROJECTION



PROPRIETARY AND CONFIDENTIAL

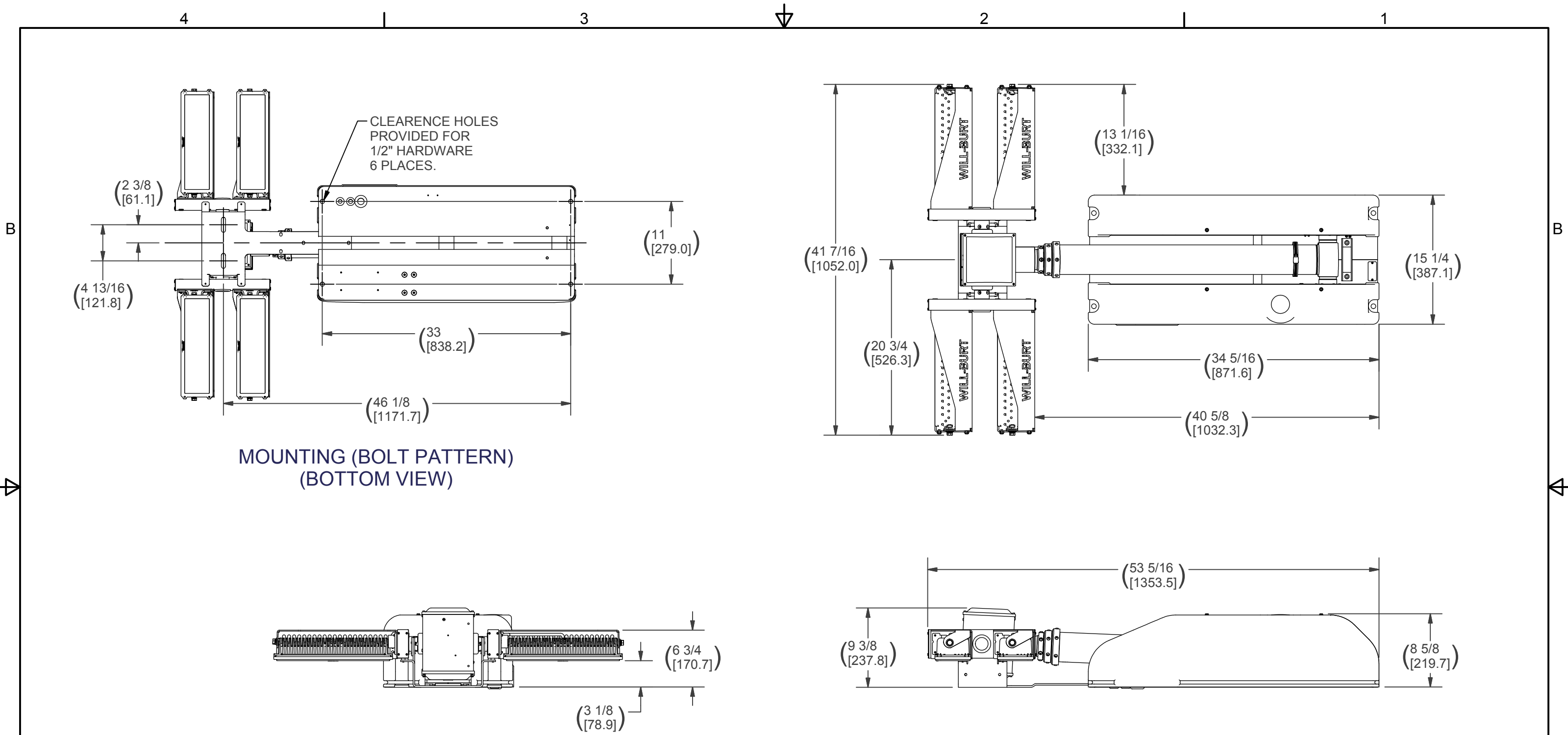
THE INFORMATION CONTAINED IN THIS
DRAWING IS THE SOLE PROPERTY OF THE
WILL-BURT COMPANY ANY REPRODUCTION
IN PART OR WHOLE WITHOUT THE WRITTEN
PERMISSION OF THE WILL-BURT COMPANY IS
PROHIBITED.



TITLE
**NS 2.3 600 4-WHL PFH2
FLD/FLD 12VDC**

APPROVALS	DATE
DRAWN RCC	3/26/2018
CHECKED	

SIZE	DWG NO	REV
B	720712640	00
PN: 720712640		SHEET 1 OF 2



ALL SPECIFICATIONS SUBJECT TO CHANGE WITHOUT NOTICE.

NOTES:
PRIMARY DIMENSIONS INCHES
SECONDARY DIMENSIONS MILLIMETERS.

APPROX. WT:128.5 lbmass

THIRD ANGLE PROJECTION



UNLESS OTHERWISE SPECIFIED DIMENSIONS ARE IN INCHES.

TOLERANCES ON DECIMALS ANGLES
 0 = ± 0.030 ± 1/2°
 00 = ± 0.010
 000 = ± 0.005

FRACTIONAL ± 1/64"

1. ALL INSIDE EDGES TO HAVE .005" TO .035" FILLETS.
 2. ALL OUTSIDE EDGES TO HAVE .005" TO .015" CHAMFER OR RADIUS.

125° ON ALL MACHINED SURFACES

PROPRIETARY AND CONFIDENTIAL

THE INFORMATION CONTAINED IN THIS DRAWING IS THE SOLE PROPERTY OF THE WILL-BURT COMPANY ANY REPRODUCTION IN PART OR WHOLE WITHOUT THE WRITTEN PERMISSION OF THE WILL-BURT COMPANY IS PROHIBITED.

APPROVALS	DATE
DRAWN RCC	3/26/2018
CHECKED	

		AN EMPLOYEE OWNED COMPANY ORRVILLE, OH	
TITLE NS 2.3 600 4-WHL PFH2 FLD/FLD 12VDC			
SIZE	DWG NO	REV	
B	720712640	00	
PN: 720712640		SHEET 2 OF 2	