

4

3

2

1

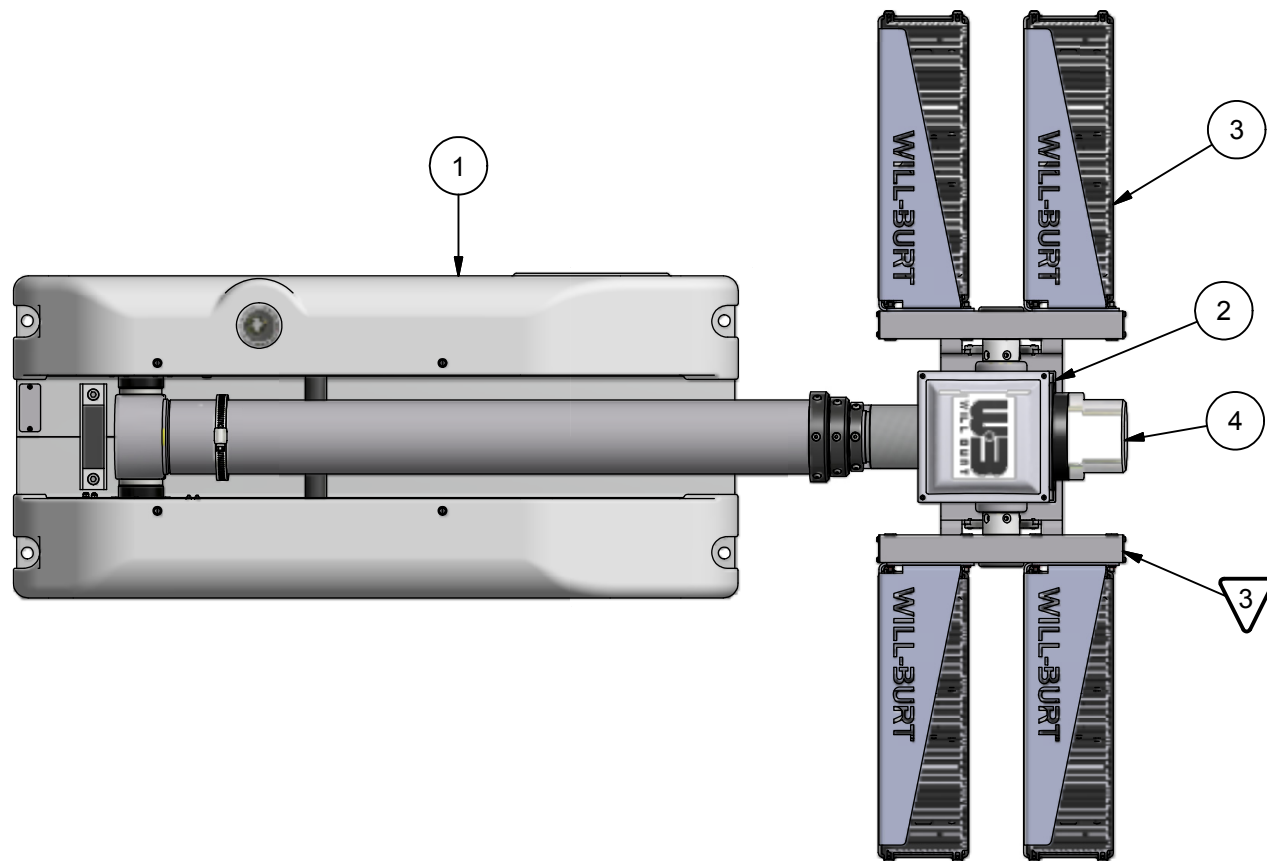
Table

PART NUMBER	DESCRIPTION	ITEM-2 P/N	ITEM-3 P/N	ITEM-4 P/N
720712540	NS 2.3 600 (4X150) LED 24VDC WHL FLD	4548301	4597204	NONE
720712602	NS 2.3 600 (4X150) LED 12VDC WHL FLD	4548301	4597202	NONE
720712604	NS 2.3 600 (4X150) LED 24VDC WHL SPT/FLD	4548301	4597205	NONE
720713602	NS 2.3 600 (4X150) LED 110VAC WHL SPT/FLD	4548301	4621603	NONE
720713603	NS 2.3 600 (4X150) LED 110VAC WHL FLD	4548301	4621602	NONE
720712606	NS 2.3 600 (4X150) LED 12VDC WHL SPT/FLD	4548301	4597206	NONE
720712609	NS 2.3 600 (4X150) LED 24VDC WHL SPT/FLD AMBR	4548305	4597205	4481601
720712610	NS 2.3 600 (4X150) LED 12VDC WHL FLD/FLD GRN	4548305	4597202	4481603
720712611	NS 2.3 600 (4X150) LED 12VDC WHL FLD/FLD RED	4548305	4597202	4481602
720712615	NS 2.3-600 WHL LED 24VDC, SPT/FLD RED STRB	4548305	4597205	4481602
720712617	NS 2.3-600WHL LED 12VDC, SPT/FLD GRN STRB	4548305	4597206	4481603



REVISION HISTORY

ECN	REV	DESCRIPTION	DATE	BY/APPR
11012	U	Added 720712609	4/13/2012	RCC\
11098	V	Added 720712610	6/19/2012	RCC\
11160	W	Added 720712611	7/27/2012	RCC\
11529	X	Added 720712615	3/15/2013	RCC\
11811	Y	Added 720712617	10/08/2013	RCC\



- NOTES:
- 1 APPLY RTV #739 OR EQUAL TO ALL OPEN HOLES.
  - 2 SEE WIRING DIAGRAM 46066 FOR ALL UNITS.
  - 3 SET LIGHT BARS HOME POSITION PARALLEL TO BASE PLATE WHEN STOWED.

BOM			
ITEM	QTY	PART NUMBER	DESCRIPTION
1	1	4522001	BASE ASSEMBLY, 7.5 CLR
2	1	SEE TABLE	NSC RCP
3	1	SEE TABLE	WHELEN LIGHT KIT
4	1	SEE TABLE	Light, Strobe Kit
5	1	4558901	NSC LABEL KIT (NOT SHOWN)
6	1	TP-4602001	MANUAL, NS 1.8/2.3, CE, CD VERSION (NOT SHOWN)

APPROX. WT:136.9 lbmass

THIRD ANGLE PROJECTION



UNLESS OTHERWISE SPECIFIED DIMENSIONS ARE IN INCHES.

TOLERANCES ON DECIMALS    ANGLES  
 0 ± 0.030                      ± 1/2°  
 00 ± 0.010  
 000 ± 0.005

FRACTIONAL ± 1/64"

1. ALL INSIDE EDGES TO HAVE .005" TO .035" FILLETS.  
 2. ALL OUTSIDE EDGES TO HAVE .005" TO .015" CHAMFER OR RADIUS.

1/25 ON ALL MACHINED SURFACES

**PROPRIETARY AND CONFIDENTIAL**

THE INFORMATION CONTAINED IN THIS DRAWING IS THE SOLE PROPERTY OF THE WILL-BURT COMPANY ANY REPRODUCTION IN PART OR WHOLE WITHOUT THE WRITTEN PERMISSION OF THE WILL-BURT COMPANY IS PROHIBITED.

APPROVALS	DATE
DRAWN RCC	5/3/2011
CHECKED	

**WILL-BURT** AN EMPLOYEE OWNED COMPANY  
ORRVILLE, OH

TITLE  
**NS 2.3 600 (4x150) WHELEN**

SIZE B	DWG NO 720712540	REV Y
PN: SEE TABLE ABOVE		SHEET 1 OF 2

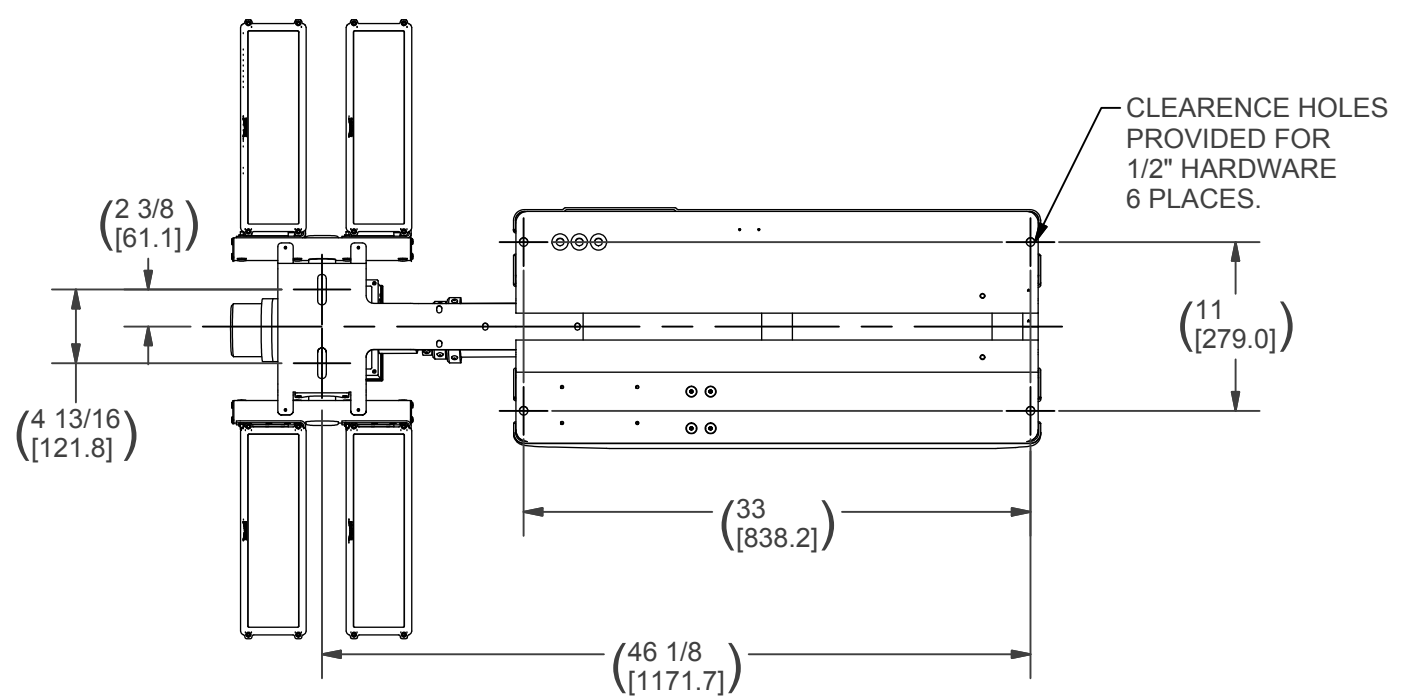
4

3

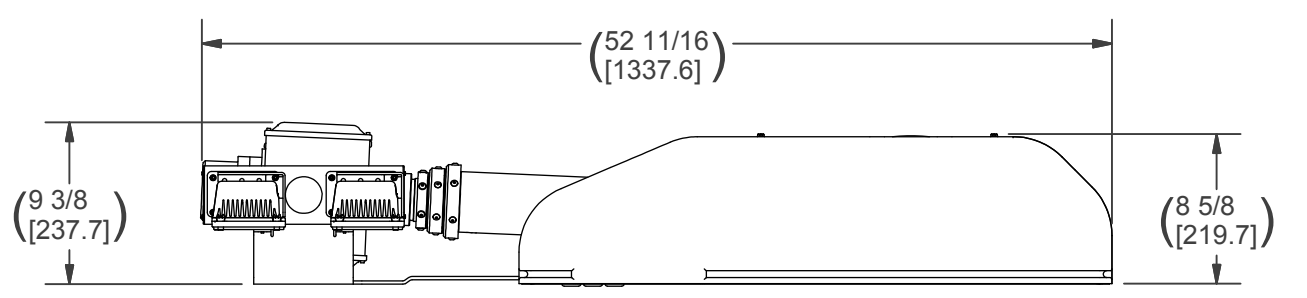
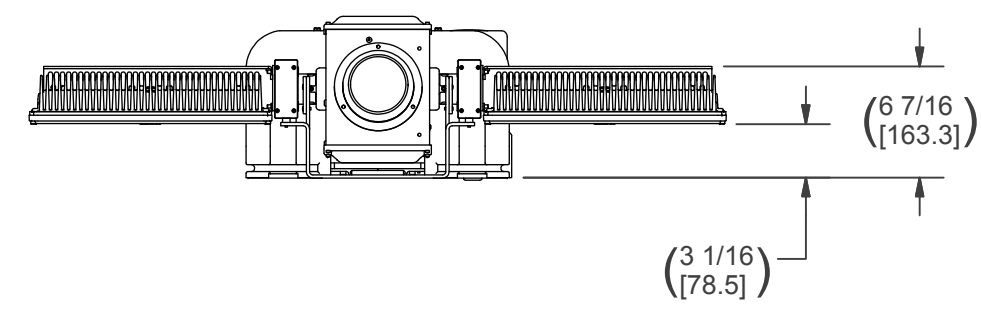
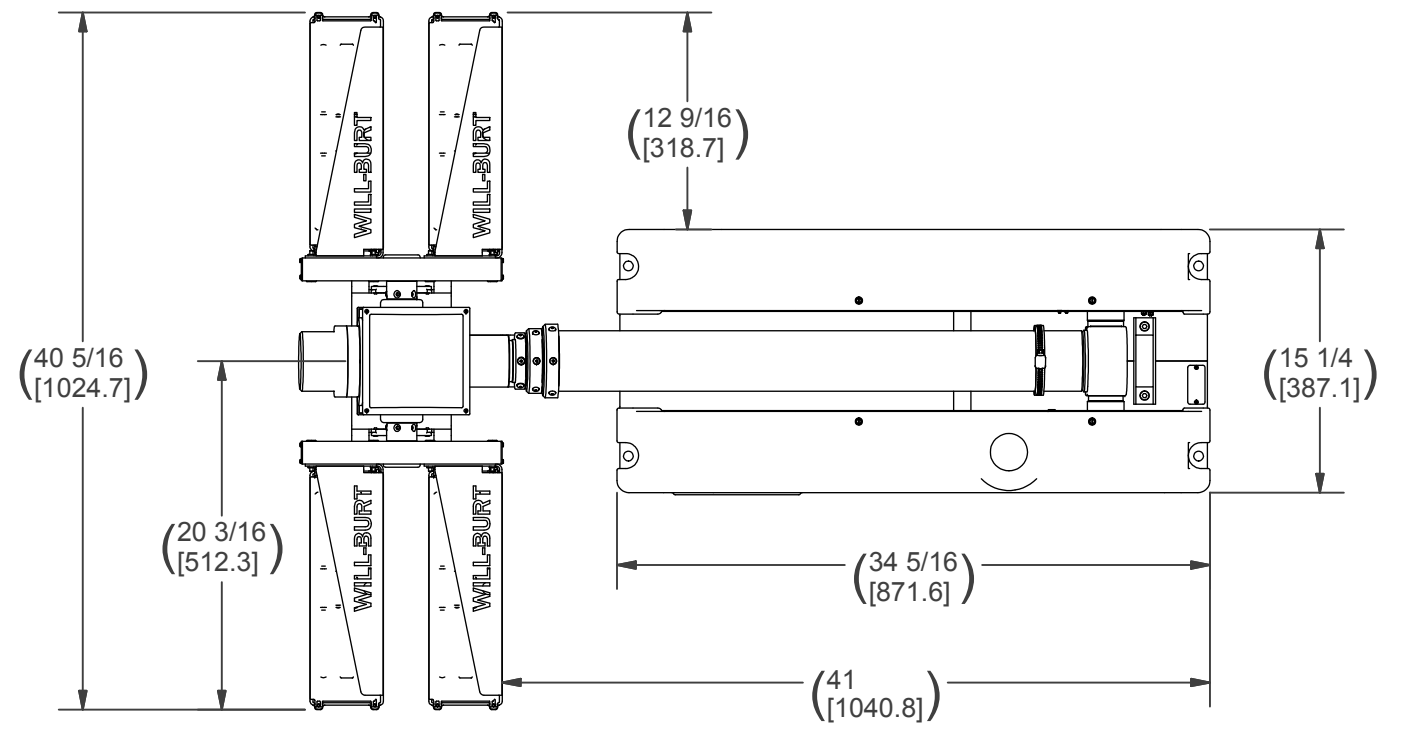
2

1

4 | 3 | 2 | 1



**MOUNTING (BOLT PATTERN)  
(BOTTOM VIEW)**



ALL SPECIFICATIONS SUBJECT TO CHANGE WITHOUT NOTICE.

NOTES:  
PRIMARY DIMENSIONS INCHES  
SECONDARY DIMENSIONS MILLIMETERS.

APPROX. WT:136.9 lbmass

THIRD ANGLE PROJECTION



UNLESS OTHERWISE SPECIFIED  
DIMENSIONS ARE IN INCHES.  
TOLERANCES ON DECIMALS    ANGLES  
0 = ± 0.030                    ± 1/2°  
00 = ± 0.010  
000 = ± 0.005  
FRACTIONAL ± 1/64"  
1. ALL INSIDE EDGES TO HAVE  
.005" TO .035" FILLETS.  
2. ALL OUTSIDE EDGES TO HAVE  
.005" TO .015" CHAMFER OR RADIUS.  
125° ON ALL MACHINED SURFACES

**PROPRIETARY AND CONFIDENTIAL**  
THE INFORMATION CONTAINED IN THIS  
DRAWING IS THE SOLE PROPERTY OF THE  
WILL-BURT COMPANY ANY REPRODUCTION  
IN PART OR WHOLE WITHOUT THE WRITTEN  
PERMISSION OF THE WILL-BURT COMPANY IS  
PROHIBITED.

APPROVALS	DATE
DRAWN RCC	5/3/2011
CHECKED	

**WB** AN EMPLOYEE OWNED COMPANY  
WILL-BURT ORRVILLE, OH

TITLE  
**NS 2.3 600 (4x150)  
WHELEN**

SIZE B	DWG NO 720712540	REV Y
PN: SEE TABLE ABOVE		SHEET 2 OF 2

4 | 3 | 2 | 1