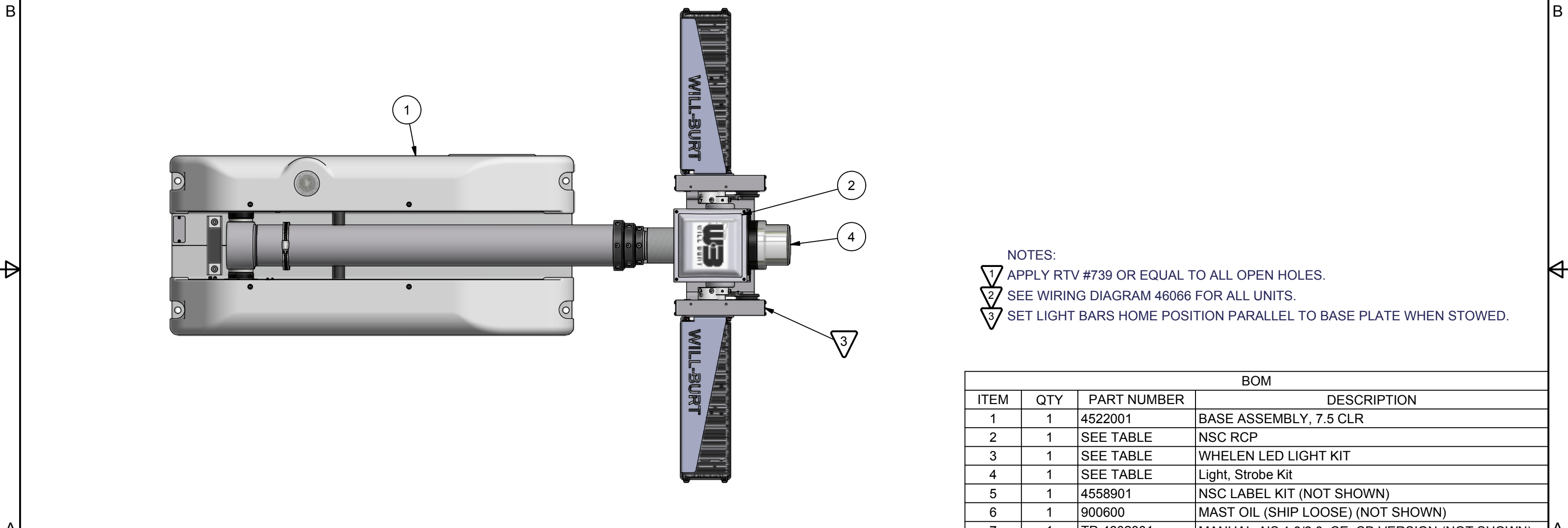


| Table | | | | |
|-------------|--|------------|------------|------------|
| PART NUMBER | DESCRIPTION | ITEM-2 P/N | ITEM-3 P/N | ITEM-4 P/N |
| 720711940 | NS 2.3 300 (2X150) LED 12VDC WHL FLD | 4548301 | 4597102 | NONE |
| 720712340 | NS 2.3 300 (2X150) LED 24VDC WHL FLD | 4548301 | 4597104 | NONE |
| 720712601 | NS 2.3 300 (2X150) LED 12VDC WHL FLD/SPT | 4548301 | 4597105 | NONE |
| 720712603 | NS 2.3 300 (2X150) LED 24VDC WHL FLD/SPT | 4548301 | 4597106 | NONE |
| 720713601 | NS 2.3 300 (2X150) LED 110VDC WHL SPT/FLD | 4548301 | 4621503 | NONE |
| 720712600 | NS 2.3-300 WHL LED 24VDC, SPT/FLD RED STRB | 4548305 | 4597106 | 4481602 |

| REVISION HISTORY | | | | |
|------------------|-----|--|------------|---------|
| ECN | REV | DESCRIPTION | DATE | BY/APPR |
| 10366 | Q | SEE ECN | 12/21/2011 | CJM |
| 10634 | R | NEW BOM - FROM OLD STYLE TO NEW COST REDUCED | 7/22/2011 | RCC |
| 10881 | S | REPLACE 4558902 WITH 4558901 | 1/17/2012 | CJY |
| 11529 | T | Added 720712600 | 3/15/2013 | RCC |



- NOTES:
- 1 APPLY RTV #739 OR EQUAL TO ALL OPEN HOLES.
 - 2 SEE WIRING DIAGRAM 46066 FOR ALL UNITS.
 - 3 SET LIGHT BARS HOME POSITION PARALLEL TO BASE PLATE WHEN STOWED.

| BOM | | | |
|------|-----|-------------|--|
| ITEM | QTY | PART NUMBER | DESCRIPTION |
| 1 | 1 | 4522001 | BASE ASSEMBLY, 7.5 CLR |
| 2 | 1 | SEE TABLE | NSC RCP |
| 3 | 1 | SEE TABLE | WHELEN LED LIGHT KIT |
| 4 | 1 | SEE TABLE | Light, Strobe Kit |
| 5 | 1 | 4558901 | NSC LABEL KIT (NOT SHOWN) |
| 6 | 1 | 900600 | MAST OIL (SHIP LOOSE) (NOT SHOWN) |
| 7 | 1 | TP-4602001 | MANUAL, NS 1.8/2.3, CE, CD VERSION (NOT SHOWN) |

UNLESS OTHERWISE SPECIFIED DIMENSIONS ARE IN INCHES.

TOLERANCES ON DECIMALS ANGLES
 0 = ± 0.030 ± 1/2'
 00 = ± 0.010
 000 = ± 0.005

FRACTIONAL ± 1/64"
 1. ALL INSIDE EDGES TO HAVE .005" TO .035" FILLETS.
 2. ALL OUTSIDE EDGES TO HAVE .005" TO .015" CHAMFER OR RADIUS.

125° ON ALL MACHINED SURFACES

APPROX. WT:111.0 lbmass

THIRD ANGLE PROJECTION

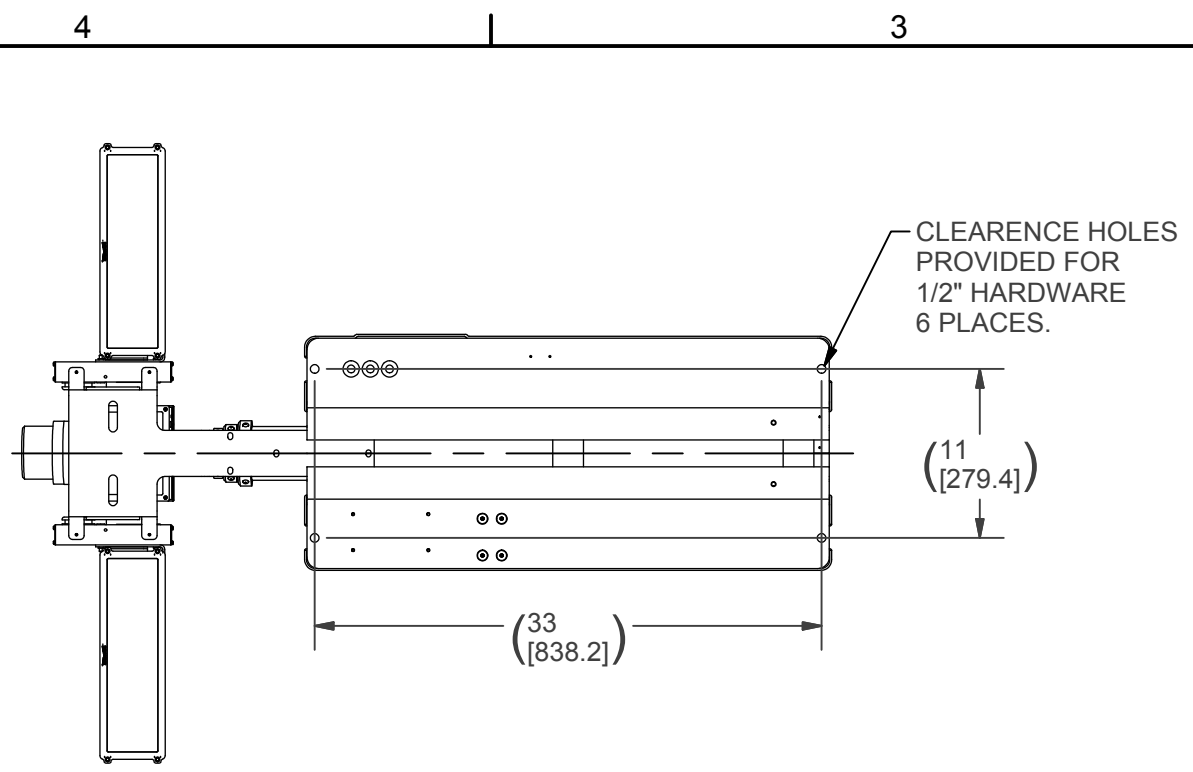
PROPRIETARY AND CONFIDENTIAL
 THE INFORMATION CONTAINED IN THIS DRAWING IS THE SOLE PROPERTY OF THE WILL-BURT COMPANY ANY REPRODUCTION IN PART OR WHOLE WITHOUT THE WRITTEN PERMISSION OF THE WILL-BURT COMPANY IS PROHIBITED.

| APPROVALS | DATE |
|--------------|-----------|
| DRAWN RCC | 7/22/2011 |
| CHECKED | |

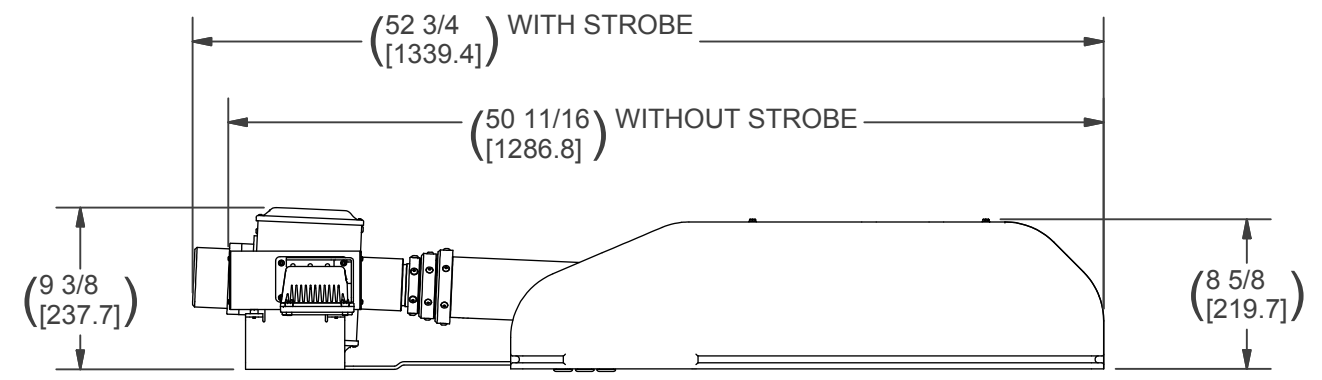
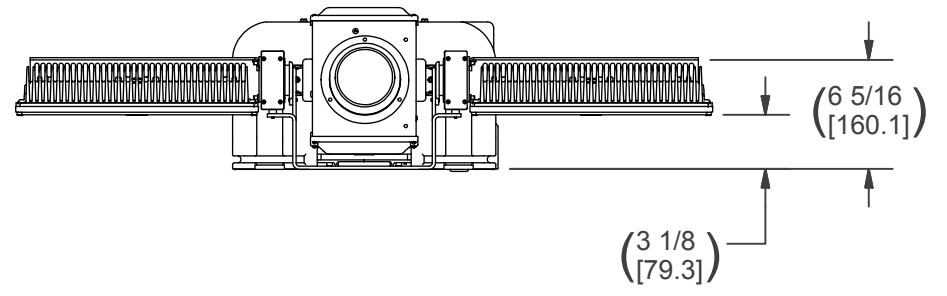
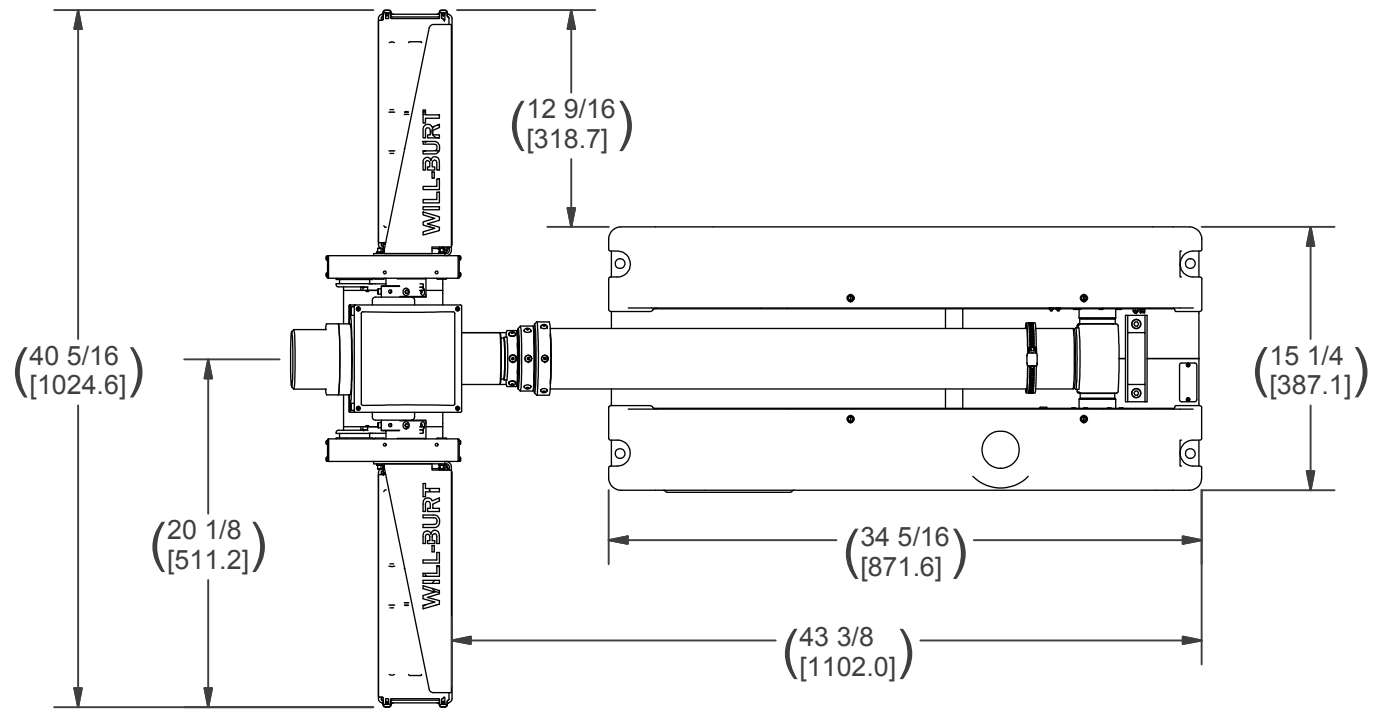
WILL-BURT AN EMPLOYEE OWNED COMPANY
 ORRVILLE, OH

TITLE
NS 2.3 300 (2X150) LED WHL

| | | |
|------------------------|---------------------|--------------|
| SIZE B | DWG NO 720711940 | REV T |
| PN: SEE TABLE ABOVE | | SHEET 1 OF 2 |



MOUNTING (BOLT PATTERN)
(BOTTOM VIEW)



ALL SPECIFICATIONS SUBJECT TO CHANGE WITHOUT NOTICE.

NOTES:
PRIMARY DIMENSIONS INCHES
SECONDARY DIMENSIONS MILLIMETERS.

APPROX. WT:111.0 lbmass

THIRD ANGLE PROJECTION



UNLESS OTHERWISE SPECIFIED
DIMENSIONS ARE IN INCHES.
TOLERANCES ON DECIMALS ANGLES
0 = ± 0.030 ± 1/2°
00 = ± 0.010
000 = ± 0.005
FRACTIONAL ± 1/64"
1. ALL INSIDE EDGES TO HAVE
.005" TO .035" FILLETS.
2. ALL OUTSIDE EDGES TO HAVE
.005" TO .015" CHAMFER OR RADIUS.
125√ ON ALL MACHINED SURFACES

PROPRIETARY AND CONFIDENTIAL
THE INFORMATION CONTAINED IN THIS
DRAWING IS THE SOLE PROPERTY OF THE
WILL-BURT COMPANY ANY REPRODUCTION
IN PART OR WHOLE WITHOUT THE WRITTEN
PERMISSION OF THE WILL-BURT COMPANY IS
PROHIBITED.

WB AN EMPLOYEE OWNED COMPANY
WILL-BURT ORRVILLE, OH

TITLE
NS 2.3 300 (2X150) LED WHL

| | |
|--------------|-----------|
| APPROVALS | DATE |
| DRAWN RCC | 7/22/2011 |
| CHECKED | |

| | | |
|------------------------|---------------------|----------|
| SIZE B | DWG NO 720711940 | REV T |
| PN: SEE TABLE ABOVE | SHEET 2 OF 2 | |