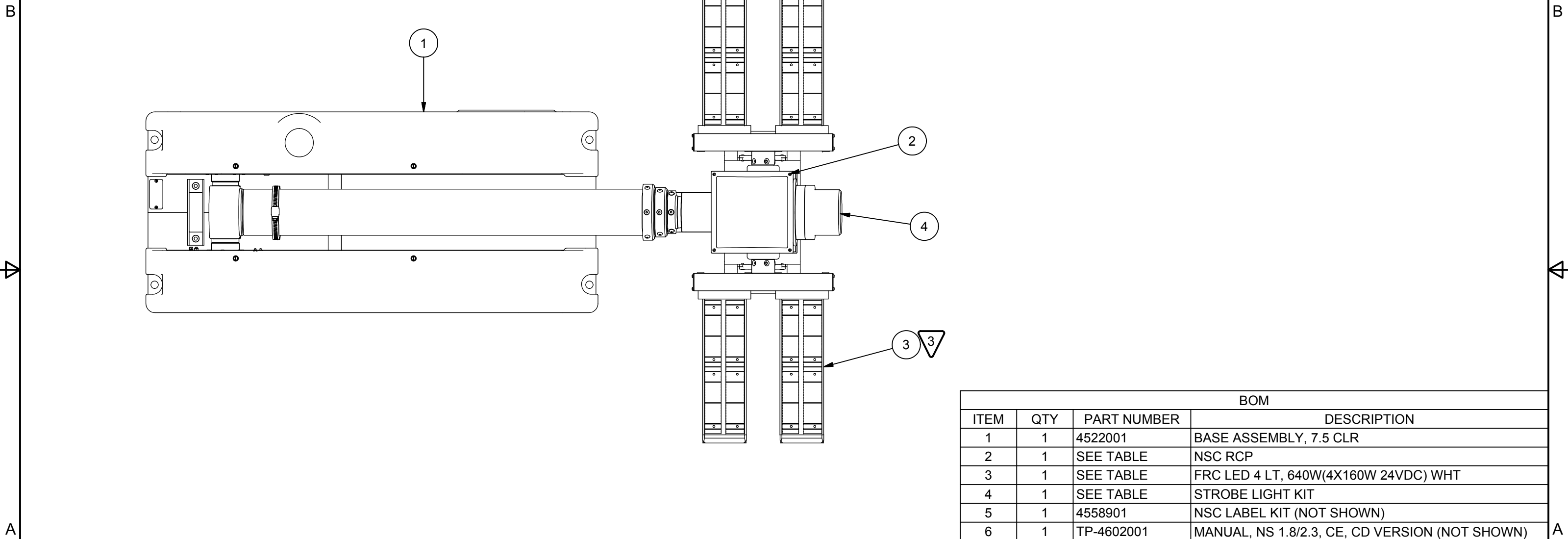


Table				REVISION HISTORY					
PART NUMBER	DESCRIPTION	ITEM-2 P/N	ITEM-3 P/N	ITEM-4 P/N	ECN	REV	DESCRIPTION	DATE	APPROVED
720711741	NS 2.3-640-4 LED 24VDC-FRC w/RED STROBE ONLY	4548305	4596702	4481602	10621	00	INITIAL RELEASE	7/19/2011	RCC/
720711640	NS 2.3-640-4 LED 24VDC-FRC	4548301	4596702	NONE	10758	A	Added Assembly 720711741	10/24/2011	RCC/
720711743	NS 2.3-640-4 LED 24VDC-FRC w/GREEN STROBE ONLY	4548305	4596702	4481603	10879	B	Added Assembly 720711640	1/16/2012	RCC/
720711630	NS 2.3-640-4 LED 12VDC-FRC	4548301	4596704	NONE	11555	C	Added Assembly 720711743	4/2/2013	DAS/
					11990	D	New P/N 720711630 & Obsolete 720711740	1/31/2014	RCC/



BOM			
ITEM	QTY	PART NUMBER	DESCRIPTION
1	1	4522001	BASE ASSEMBLY, 7.5 CLR
2	1	SEE TABLE	NSC RCP
3	1	SEE TABLE	FRC LED 4 LT, 640W(4X160W 24VDC) WHT
4	1	SEE TABLE	STROBE LIGHT KIT
5	1	4558901	NSC LABEL KIT (NOT SHOWN)
6	1	TP-4602001	MANUAL, NS 1.8/2.3, CE, CD VERSION (NOT SHOWN)

NOTES:

- 1 APPLY RTV #739 OR EQUAL TO ALL OPEN HOLES.
- 2 SEE WIRING DIAGRAM 46066 FOR ALL UNITS.
- 3 SET LIGHT BARS HOME POSITION PARALLEL TO BASE PLATE WHEN STOWED.

APPROX. WT:99.2 lbmass

THIRD ANGLE PROJECTION



UNLESS OTHERWISE SPECIFIED DIMENSIONS ARE IN INCHES.

TOLERANCES ON DECIMALS ANGLES
 0 = ± 0.030 ± 1/2°
 00 = ± 0.010
 000 = ± 0.005

FRACTIONAL ± 1/64"
 1. ALL INSIDE EDGES TO HAVE .005" TO .035" FILLETS.
 2. ALL OUTSIDE EDGES TO HAVE .005" TO .015" CHAMFER OR RADIUS.
 125X ON ALL MACHINED SURFACES

PROPRIETARY AND CONFIDENTIAL

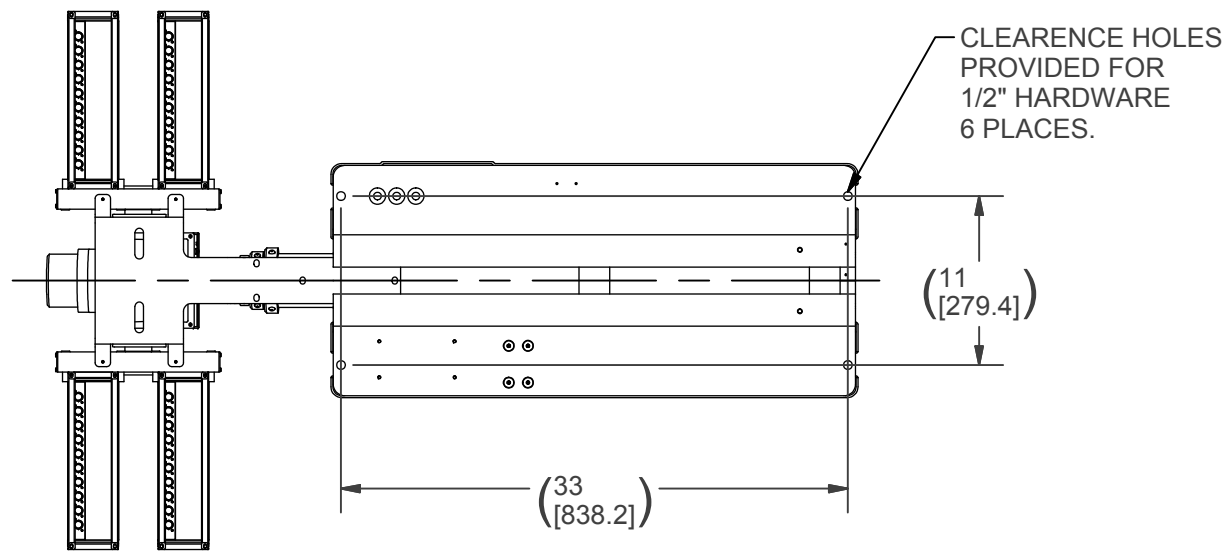
THE INFORMATION CONTAINED IN THIS DRAWING IS THE SOLE PROPERTY OF THE WILL-BURT COMPANY ANY REPRODUCTION IN PART OR WHOLE WITHOUT THE WRITTEN PERMISSION OF THE WILL-BURT COMPANY IS PROHIBITED.

APPROVALS	DATE
DRAWN RCC	7/19/2011
CHECKED	

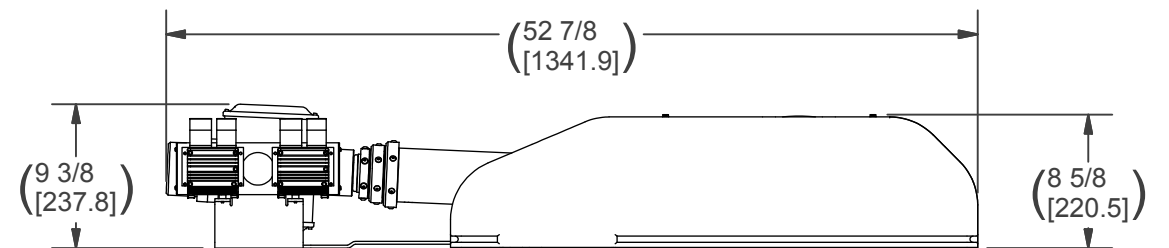
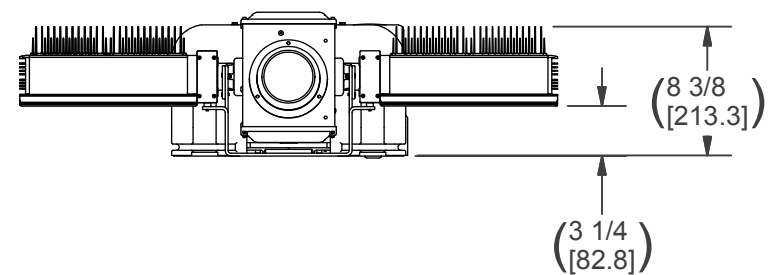
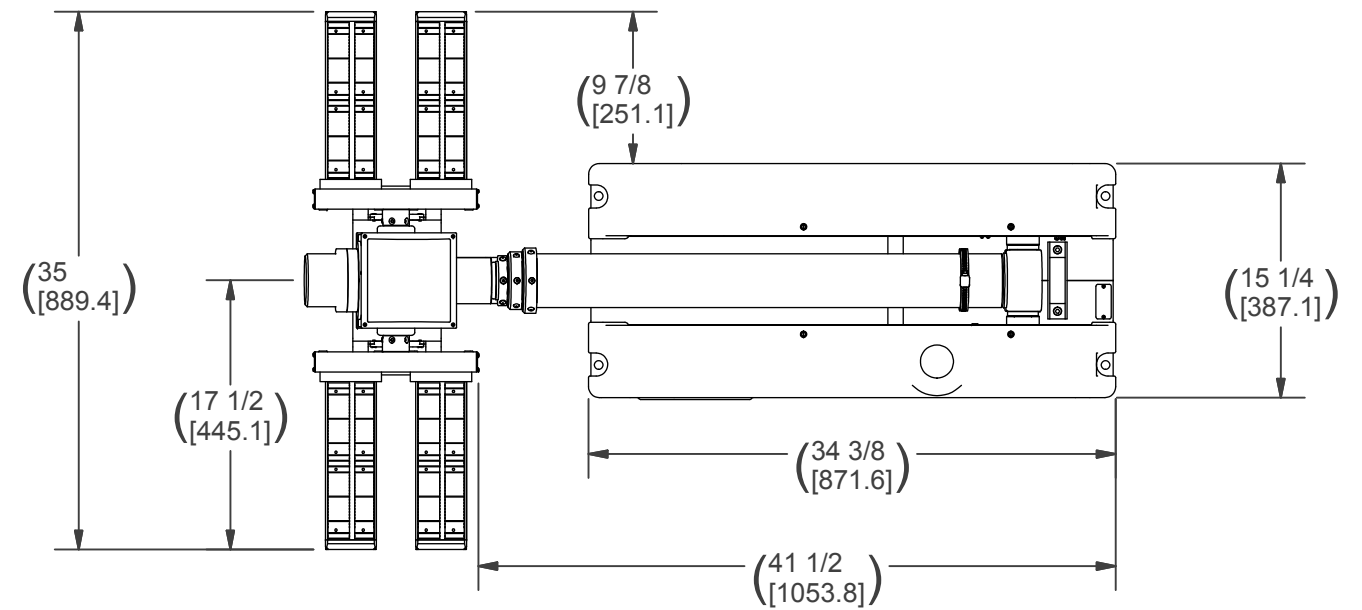
WILL-BURT AN EMPLOYEE OWNED COMPANY
ORRVILLE, OH

TITLE
NS 2.3 4-LIGHT 160W FRC LED

SIZE B	DWG NO 720711740	REV D
PN: 720711740	SHEET 1 OF 2	



MOUNTING (BOLT PATTERN)
(BOTTOM VIEW)



APPROX. WT:99.2 lbmass

THIRD ANGLE PROJECTION



UNLESS OTHERWISE SPECIFIED DIMENSIONS ARE IN INCHES.

TOLERANCES ON DECIMALS ANGLES

0 = ± 0.030 ± 1/2°

00 = ± 0.010

000 = ± 0.005

FRACTIONAL ± 1/64"

1. ALL INSIDE EDGES TO HAVE .005" TO .035" FILLETS.

2. ALL OUTSIDE EDGES TO HAVE .005" TO .015" CHAMFER OR RADIUS.

125 ON ALL MACHINED SURFACES

PROPRIETARY AND CONFIDENTIAL

THE INFORMATION CONTAINED IN THIS DRAWING IS THE SOLE PROPERTY OF THE WILL-BURT COMPANY ANY REPRODUCTION IN PART OR WHOLE WITHOUT THE WRITTEN PERMISSION OF THE WILL-BURT COMPANY IS PROHIBITED.

APPROVALS	DATE
DRAWN RCC	7/19/2011
CHECKED	

WB AN EMPLOYEE OWNED COMPANY
WILL-BURT ORRVILLE, OH

TITLE
**NS 2.3 4-LIGHT 160W
FRC LED**

SIZE B	DWG NO 720711740	REV D
PN: 720711740	SHEET 2 OF 2	