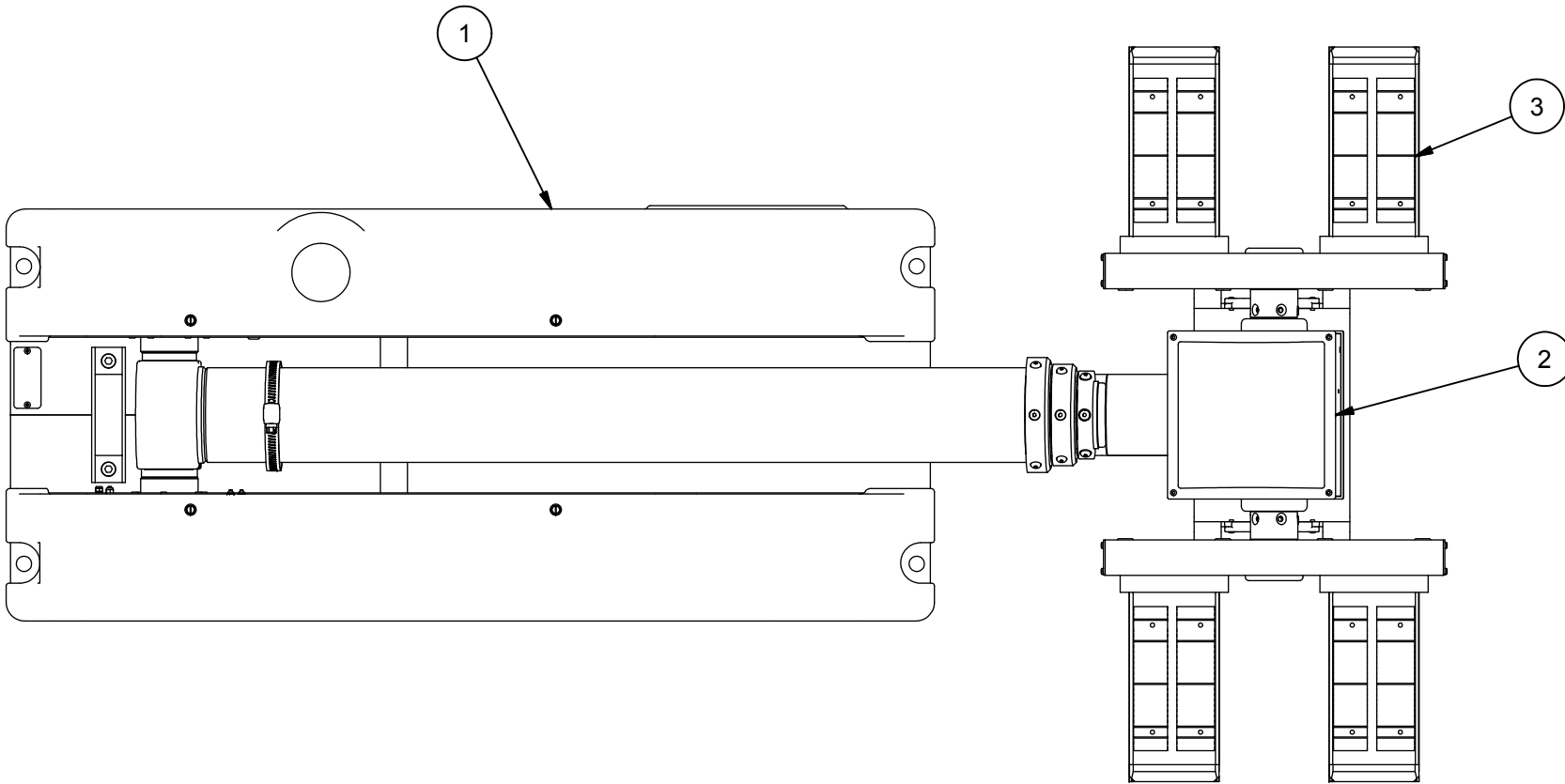


REVISION HISTORY				
ECN	REV	DESCRIPTION	DATE	BY/APPR
12063	S	RESTRUCTURED BOM	3/12/2014	RCC\
12580	T	CHANGED NOTE TWO TO REFERENCE DRAWING WD-46276	3/31/2015	KWBH



- NOTES:
- 1 APPLY RTV #739 OR EQUAL TO ALL OPEN HOLES.
 - 2 SEE WIRING DIAGRAM WD-46276 FOR ALL UNITS.
 - 3 SET LIGHT BARS HOME POSITION PARALLEL TO BASE PLATE WHEN STOWED.

BOM				
ITEM	QTY	PART NUMBER	DESCRIPTION	
1	1	4522001	BASE ASSEMBLY, 7.5 CLR	
2	1	4548301	NSC RCP, LIGHTS ONLY	
3	1	4596701	FRC LED 4 LT, 360W (4-90W 12/24VDC) WHT	
4	1	4558901	NSC LABEL KIT CE (NOT SHOWN)	
5	1	TP-4602001	MANUAL, NS 1.8/2.3, CE, CD VERSION (NOT SHOWN)	

UNLESS OTHERWISE SPECIFIED DIMENSIONS ARE IN INCHES.

TOLERANCES ON DECIMALS ANGLES
 0 = ± 0.030 ± 1/2°
 00 = ± 0.010
 000 = ± 0.005

FRACTIONAL ± 1/64"

1. ALL INSIDE EDGES TO HAVE .005" TO .035" FILLETS.
 2. ALL OUTSIDE EDGES TO HAVE .005" TO .015" CHAMFER OR RADIUS.
 125 ON ALL MACHINED SURFACES

APPROX. WT:91.9 lbmass

THIRD ANGLE PROJECTION



PROPRIETARY AND CONFIDENTIAL

THE INFORMATION CONTAINED IN THIS DRAWING IS THE SOLE PROPERTY OF THE WILL-BURT COMPANY ANY REPRODUCTION IN PART OR WHOLE WITHOUT THE WRITTEN PERMISSION OF THE WILL-BURT COMPANY IS PROHIBITED.

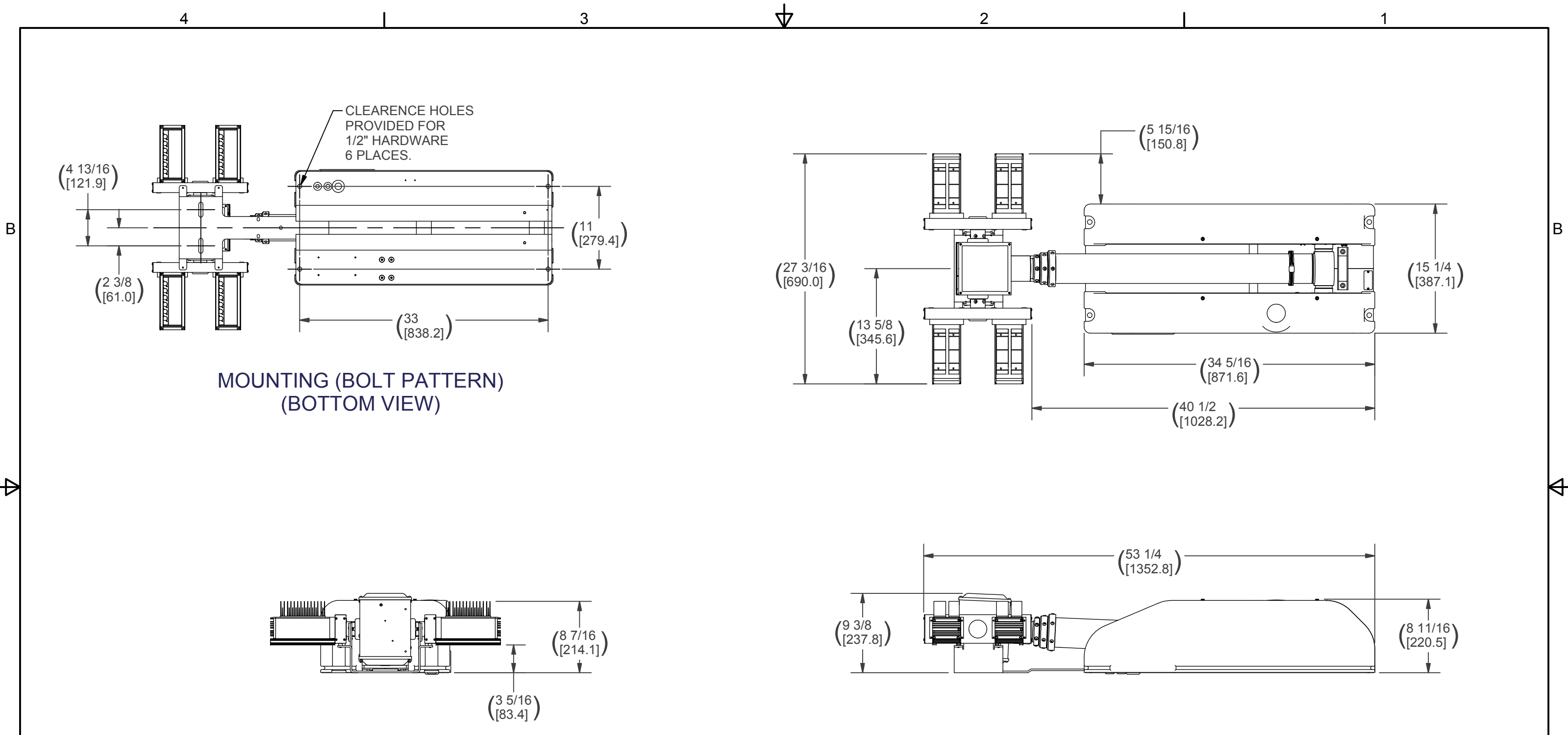
APPROVALS	DATE
DRAWN RCC	3/12/2014
CHECKED	

WILL-BURT AN EMPLOYEE OWNED COMPANY
 ORRVILLE, OH

TITLE
**NS 2.3-360-4 FRC LED
 24VDC**

SIZE	DWG NO	REV
B	720711540	T

PN: 720711540	SHEET 1 OF 2
------------------	--------------



ALL SPECIFICATIONS SUBJECT TO CHANGE WITHOUT NOTICE.

NOTES:
PRIMARY DIMENSIONS INCHES
SECONDARY DIMENSIONS MILLIMETERS.

APPROX. WT:91.9 lbmass

THIRD ANGLE PROJECTION



UNLESS OTHERWISE SPECIFIED DIMENSIONS ARE IN INCHES.

TOLERANCES ON DECIMALS ANGLES

0 = ± 0.030 ± 1/2°

00 = ± 0.010

000 = ± 0.005

FRACTIONAL ± 1/64"

1. ALL INSIDE EDGES TO HAVE .005" TO .035" FILLETS.

2. ALL OUTSIDE EDGES TO HAVE .005" TO .015" CHAMFER OR RADIUS.

125X ON ALL MACHINED SURFACES

PROPRIETARY AND CONFIDENTIAL

THE INFORMATION CONTAINED IN THIS DRAWING IS THE SOLE PROPERTY OF THE WILL-BURT COMPANY ANY REPRODUCTION IN PART OR WHOLE WITHOUT THE WRITTEN PERMISSION OF THE WILL-BURT COMPANY IS PROHIBITED.

APPROVALS	DATE
DRAWN RCC	3/12/2014
CHECKED	

AN EMPLOYEE OWNED COMPANY ORRVILLE, OH	
TITLE NS 2.3-360-4 FRC LED 24VDC	
SIZE B	DWG NO 720711540
REV T	
PN: 720711540	SHEET 2 OF 2