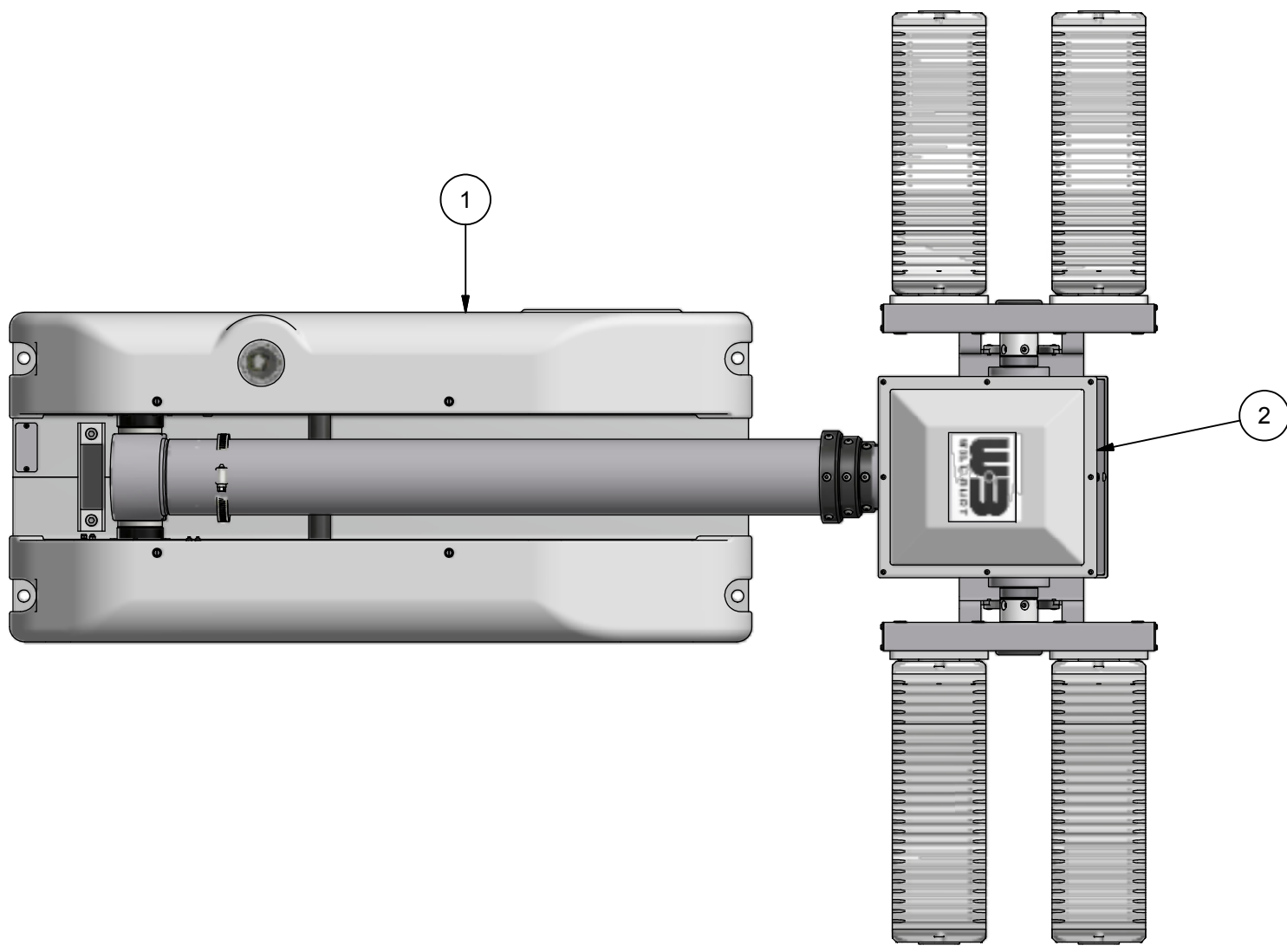


REVISION HISTORY				
ECN	REV	DESCRIPTION	DATE	BY/APPR
12260	00	INITIAL RELEASE	6/24/2014	RCC



- NOTES:
- 1 APPLY RTV #739 OR EQUAL TO ALL OPEN HOLES.
 - 2 SEE WIRING DIAGRAM 46066 FOR ALL UNITS.
 - 3 SET LIGHT BARS HOME POSITION PARALLEL TO BASE PLATE WHEN STOWED.

BOM			
ITEM	QTY	PART NUMBER	DESCRIPTION
1	1	5052901	NSC BASE ASM, 7.5FT DL TLT RCP CLR
2	1	4742501	RCP ASSEMBLY NSP STD
3	1	5048201	KIT, LIGHT NS XL LED 500W 4X125 12/24VDC
4	1	4558901	NSC LABEL KIT (NOT SHOWN)
5	1	TP-4602001	MANUAL, NS 1.8/2.3, CE, CD VERSION (NOT SHOWN)

APPROX. WT:126.6 lbmass

THIRD ANGLE PROJECTION



UNLESS OTHERWISE SPECIFIED
DIMENSIONS ARE IN INCHES.

TOLERANCES ON DECIMALS ANGLES
0 = ± 0.030 ± 1/2°
00 = ± 0.010
000 = ± 0.005

FRACTIONAL ± 1/64"

1. ALL INSIDE EDGES TO HAVE
.005" TO .035" FILLETS.
2. ALL OUTSIDE EDGES TO HAVE
.005" TO .015" CHAMFER OR RADIUS.

125° ON ALL MACHINED SURFACES

PROPRIETARY AND CONFIDENTIAL

THE INFORMATION CONTAINED IN THIS
DRAWING IS THE SOLE PROPERTY OF THE
WILL-BURT COMPANY ANY REPRODUCTION
IN PART OR WHOLE WITHOUT THE WRITTEN
PERMISSION OF THE WILL-BURT COMPANY IS
PROHIBITED.

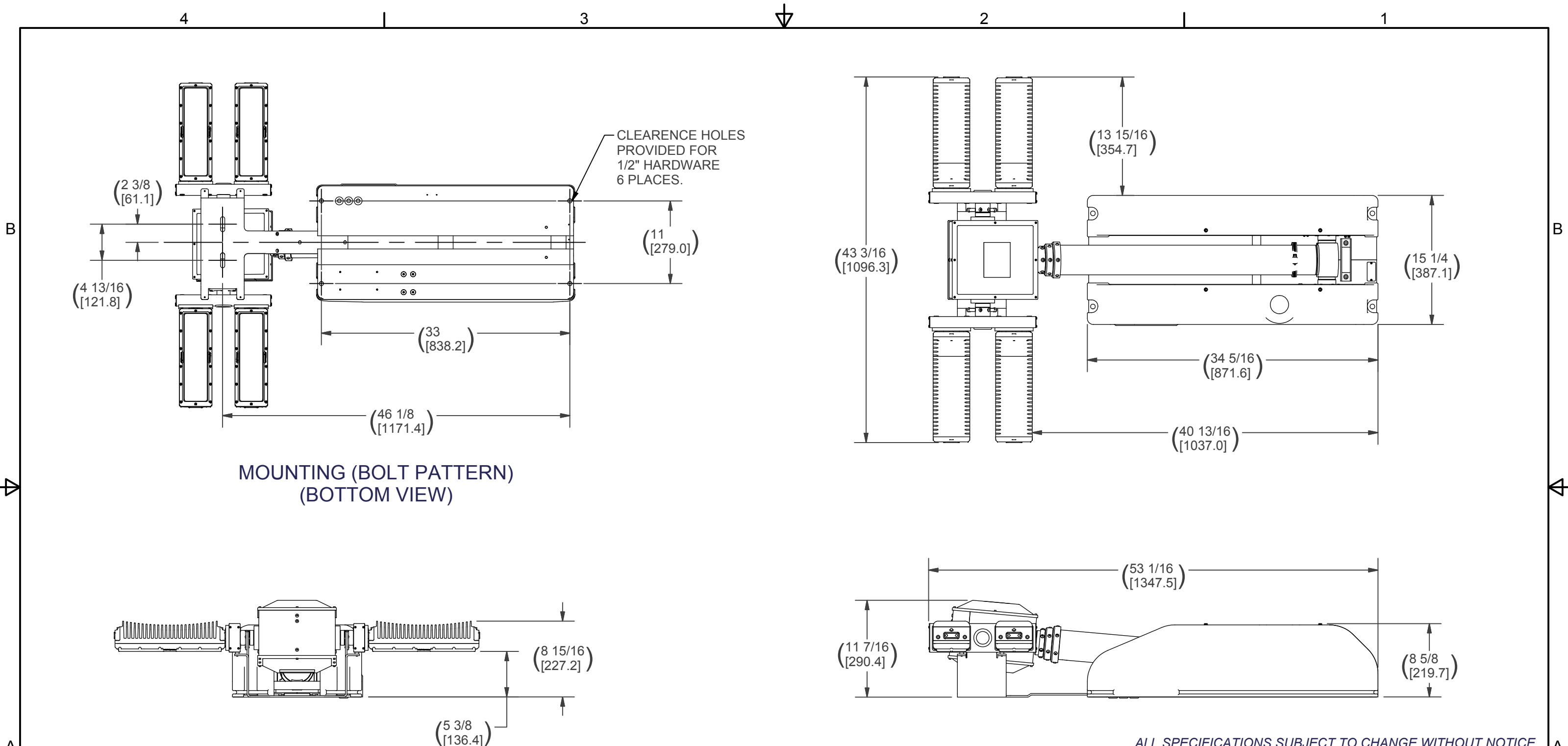
APPROVALS	DATE
DRAWN RCC	6/24/2014
CHECKED	

WB AN EMPLOYEE OWNED COMPANY
WILL-BURT ORRVILLE, OH

TITLE
**NS 2.3 500 4X125W NS XL
12/24 DL TLT RCP**

SIZE	DWG NO	REV
B	720700140	00

PN: SEE TABLE ABOVE SHEET 1 OF 2



ALL SPECIFICATIONS SUBJECT TO CHANGE WITHOUT NOTICE.

NOTES:
PRIMARY DIMENSIONS INCHES
SECONDARY DIMENSIONS MILLIMETERS.

APPROX. WT:126.6 lbmass

THIRD ANGLE PROJECTION



UNLESS OTHERWISE SPECIFIED DIMENSIONS ARE IN INCHES.

TOLERANCES ON DECIMALS ANGLES
 0 = ± 0.030 ± 1/2°
 00 = ± 0.010
 000 = ± 0.005

FRACTIONAL ± 1/64"

1. ALL INSIDE EDGES TO HAVE .005" TO .035" FILLETS.
 2. ALL OUTSIDE EDGES TO HAVE .005" TO .015" CHAMFER OR RADIUS.

1/25 ON ALL MACHINED SURFACES

PROPRIETARY AND CONFIDENTIAL

THE INFORMATION CONTAINED IN THIS DRAWING IS THE SOLE PROPERTY OF THE WILL-BURT COMPANY ANY REPRODUCTION IN PART OR WHOLE WITHOUT THE WRITTEN PERMISSION OF THE WILL-BURT COMPANY IS PROHIBITED.

APPROVALS	DATE
DRAWN RCC	6/24/2014
CHECKED	

		AN EMPLOYEE OWNED COMPANY ORRVILLE, OH	
TITLE NS 2.3 500 4X125W NS XL 12/24 DL TLT RCP			
SIZE	DWG NO	REV	
B	720700140	00	
PN:		SHEET 2 OF 2	
SEE TABLE ABOVE			