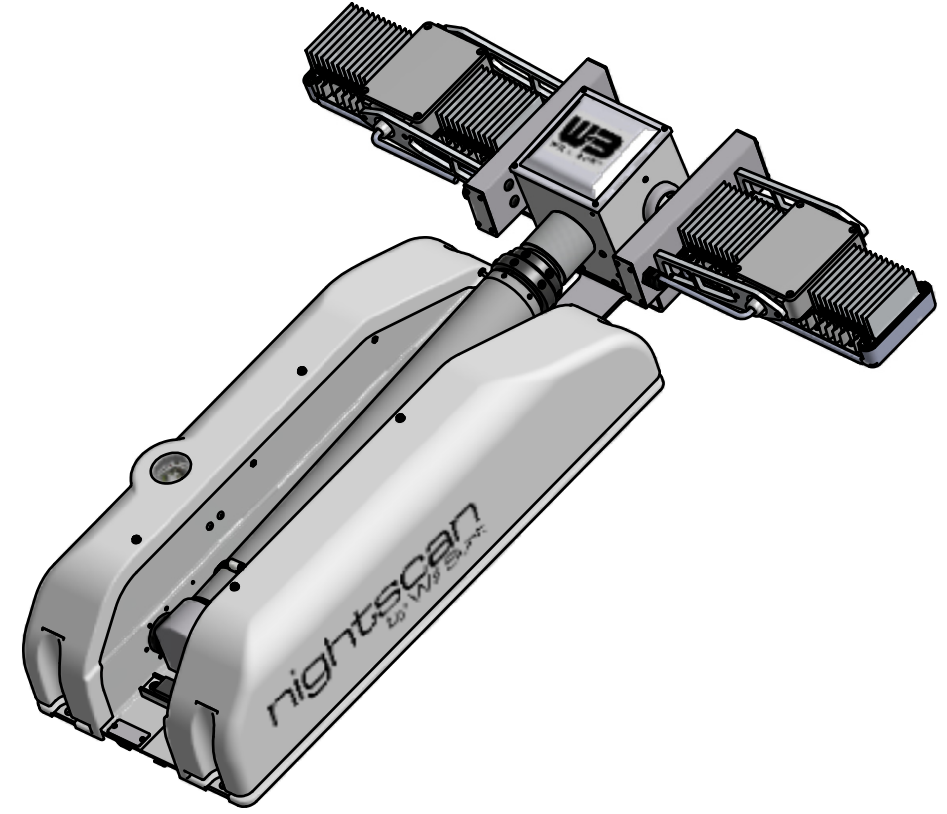
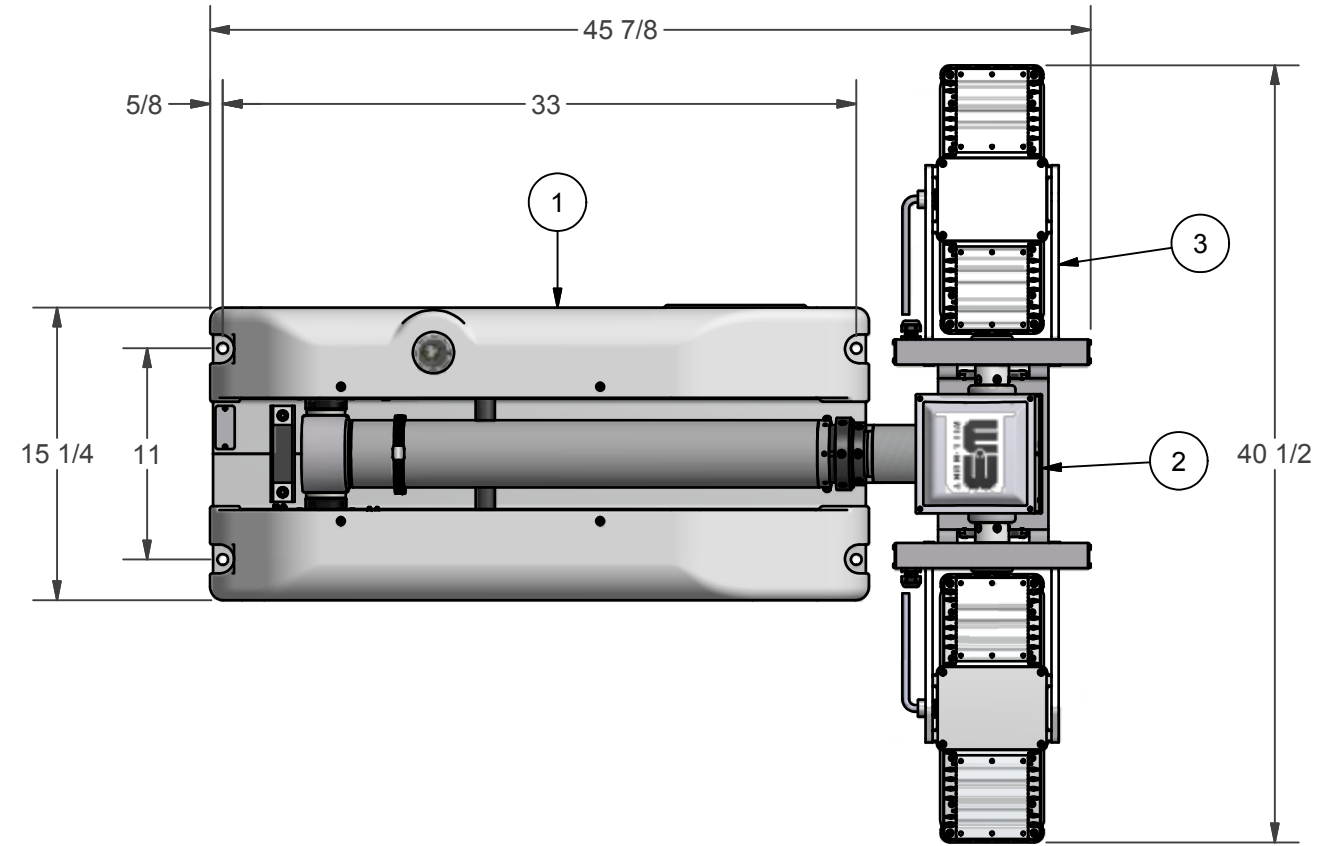


REVISION HISTORY				
ECN	REV	DESCRIPTION	DATE	BY/APPR
11991	00	INITIAL RELEASE	1/31/2014	RCC\



BOM			
ITEM	QTY	PART NUMBER	DESCRIPTION
1	1	4522003	NSC BASE ASSEMBLY 6.0 WHITE
2	1	4548301	NSC RCP, LIGHTS ONLY
3	1	4889003	SPECTRA 460 (2X230W) 12VDC
4	1	4558901	NSC LABEL KIT (NOT SHOWN)
5	1	TP-4602001	MANUAL, NS 1.8/2.3, CE, CD VERSION (NOT SHOWN)
6	1	4584001	FILLER, CORRUGATED NSC (NOT SHOWN)

- NOTES:
- 1 APPLY RTV #739 OR EQUAL TO ALL OPEN HOLES.
 - 2 SEE WIRING DIAGRAM 46066 FOR ALL UNITS.
 - 3 SET LIGHT BARS HOME POSITION PARALLEL TO BASE PLATE WHEN STOWED.

APPROX. WT: 98.80 lbmass

THIRD ANGLE PROJECTION



UNLESS OTHERWISE SPECIFIED DIMENSIONS ARE IN INCHES.

TOLERANCES ON DECIMALS ANGLES
0 = ± 0.030 ± 1/2°
00 = ± 0.010
000 = ± 0.005

FRACTIONAL ± 1/64"

1. ALL INSIDE EDGES TO HAVE .005" TO .035" FILLETS.
2. ALL OUTSIDE EDGES TO HAVE .005" TO .015" CHAMFER OR RADIUS.

1/25" ON ALL MACHINED SURFACES

PROPRIETARY AND CONFIDENTIAL

THE INFORMATION CONTAINED IN THIS DRAWING IS THE SOLE PROPERTY OF THE WILL-BURT COMPANY ANY REPRODUCTION IN PART OR WHOLE WITHOUT THE WRITTEN PERMISSION OF THE WILL-BURT COMPANY IS PROHIBITED.

APPROVALS	DATE
DRAWN RCC	1/31/2014
CHECKED	

WILL-BURT AN EMPLOYEE OWNED COMPANY
ORRVILLE, OH

TITLE
**NS 1.8-460 SPC LED
12VDC (SPECTRA)**

SIZE	DWG NO	REV
B	720682003	00
PN: 720682003		SHEET 1 OF 1