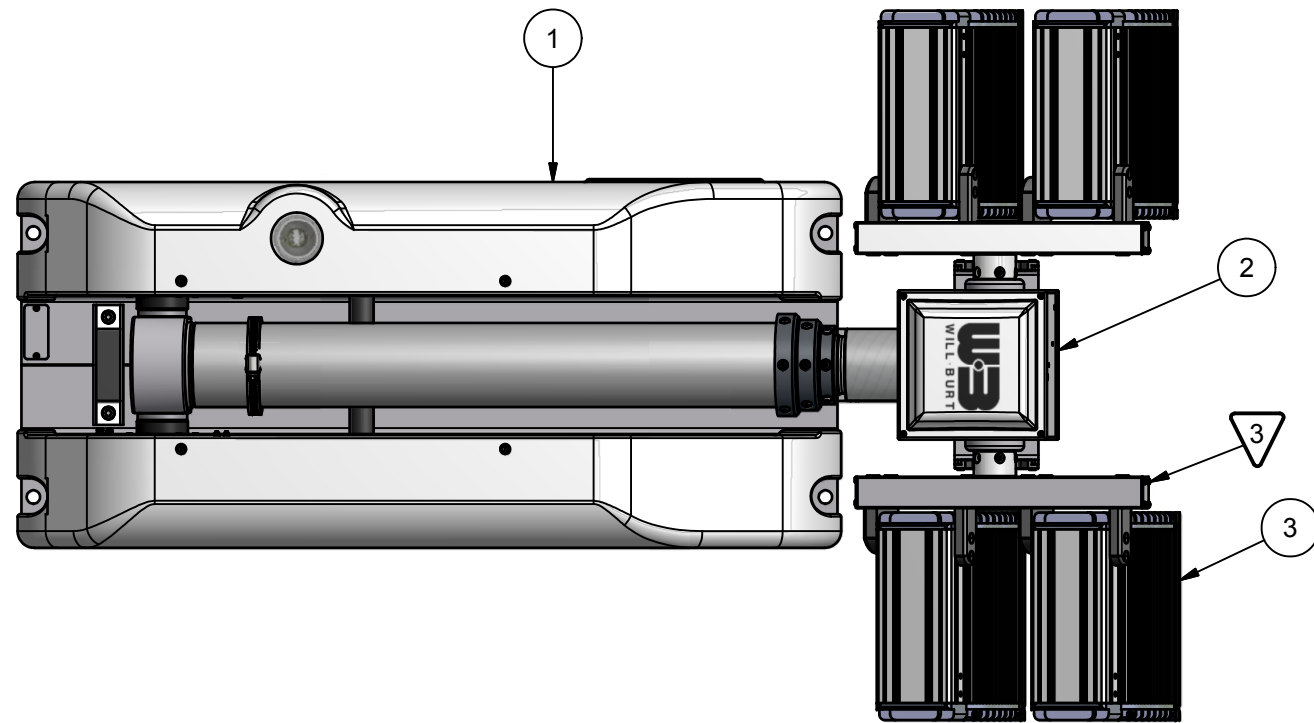


Table		
ASSEMBLY NUMBER	DESCRIPTION	ITEM-3 P/N
720662041	NS 1.8-3000-4 OPT-110V WHITE	4574603
720664041	NS 1.8-3000-4 OPT-220V WHITE	4574609
720666041	NS 1.8-2000-4 OPT-110V WHITE	4574611
720680041	NS 1.8-600-4 OPT-24VDC WHITE	4574613
720681041	NS 1.8-600-4 OPT 12VDC WHITE	4574615

REVISION HISTORY				
ECN	REV	DESCRIPTION	DATE	BY/APPR
10592	B	INITIAL RELEASE	5/23/2011	RCC\



- NOTES:
- 1 APPLY RTV #739 OR EQUAL TO ALL OPEN HOLES.
 - 2 SEE WIRING DIAGRAM 46066 FOR ALL UNITS.
 - 3 SET LIGHT BARS HOME POSITION PARALLEL TO BASE PLATE WHEN STOWED.

BOM			
ITEM	QTY	PART NUMBER	DESCRIPTION
1	1	4522003	NSC BASE ASSEMBLY 6.0 WHITE
2	1	4548301	NSC RCP, LIGHTS ONLY
3	1	SEE TABLE	OPTIMUM LIGHT KIT
4	1	4558901	NSC LABEL KIT (NOT SHOWN)
5	1	900600	MAST OIL (SHIP LOOSE)
6	1	TP-4602001	MANUAL, NS 1.8/2.3, CE, CD VERSION (NOT SHOWN)
7	1	4584001	FILLER, CORRUGATED NSC (NOT SHOWN)

APPROX. WT: 103.93 lbmass

THIRD ANGLE PROJECTION



UNLESS OTHERWISE SPECIFIED
DIMENSIONS ARE IN INCHES.

TOLERANCES ON DECIMALS ANGLES
 0 = ± 0.030 ± 1/2°
 00 = ± 0.010
 000 = ± 0.005

FRACTIONAL ± 1/64"

1. ALL INSIDE EDGES TO HAVE
.005" TO .035" FILLETS.
 2. ALL OUTSIDE EDGES TO HAVE
.005" TO .015" CHAMFER OR RADIUS.

125° ON ALL MACHINED SURFACES

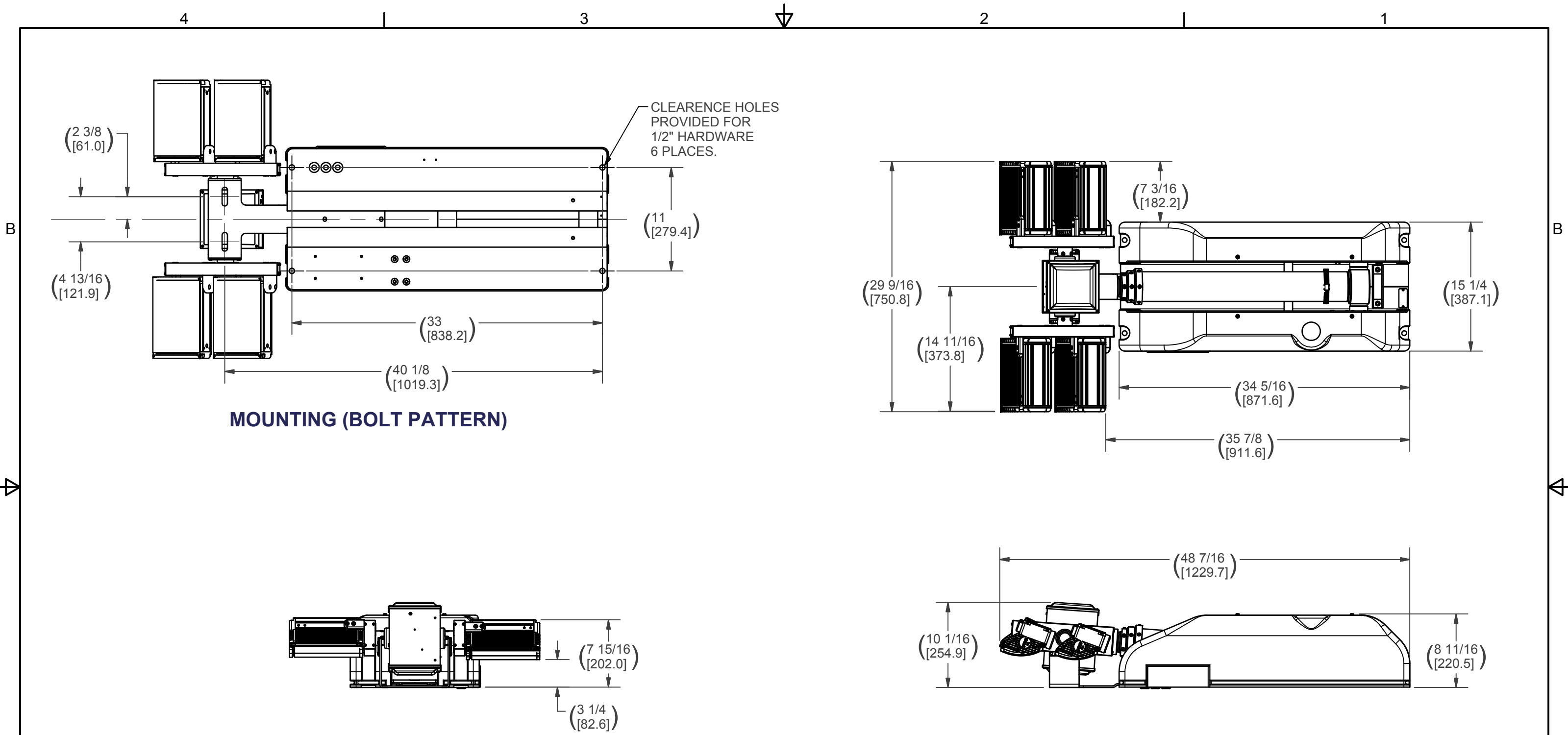
PROPRIETARY AND CONFIDENTIAL
 THE INFORMATION CONTAINED IN THIS
 DRAWING IS THE SOLE PROPERTY OF THE
 WILL-BURT COMPANY ANY REPRODUCTION
 IN PART OR WHOLE WITHOUT THE WRITTEN
 PERMISSION OF THE WILL-BURT COMPANY IS
 PROHIBITED.

W3 AN EMPLOYEE OWNED COMPANY
 WILL-BURT ORRVILLE, OH

TITLE
**NS 1.8 4 LIGHT SHORT
 OPTIMUM KITS**

APPROVALS	DATE
DRAWN RCC	6/23/2011
CHECKED	

SIZE	DWG NO	REV
B	720662041	B
PN: SEE TABLE		SHEET 1 OF 2



MOUNTING (BOLT PATTERN)

CLEARANCE HOLES PROVIDED FOR 1/2" HARDWARE 6 PLACES.

NOTES:
PRIMARY DIMENSIONS INCHES
SECONDARY DIMENSIONS MILLIMETERS.

APPROX. WT: 103.93 lbmass

THIRD ANGLE PROJECTION



UNLESS OTHERWISE SPECIFIED DIMENSIONS ARE IN INCHES.
TOLERANCES ON DECIMALS ANGLES
0 = ± 0.030 ± 1/2°
00 = ± 0.010
000 = ± 0.005
FRACTIONAL ± 1/64"
1. ALL INSIDE EDGES TO HAVE .005" TO .035" FILLETS.
2. ALL OUTSIDE EDGES TO HAVE .005" TO .015" CHAMFER OR RADIUS.
125 ON ALL MACHINED SURFACES

PROPRIETARY AND CONFIDENTIAL
THE INFORMATION CONTAINED IN THIS DRAWING IS THE SOLE PROPERTY OF THE WILL-BURT COMPANY ANY REPRODUCTION IN PART OR WHOLE WITHOUT THE WRITTEN PERMISSION OF THE WILL-BURT COMPANY IS PROHIBITED.



TITLE
NS 1.8 4 LIGHT SHORT OPTIMUM KITS

APPROVALS	DATE
DRAWN RCC	6/23/2011
CHECKED	

SIZE B	DWG NO 720662041	REV B
-----------	---------------------	----------

PN: SEE TABLE SHEET 2 OF 2

ALL SPECIFICATIONS SUBJECT TO CHANGE WITHOUT NOTICE.