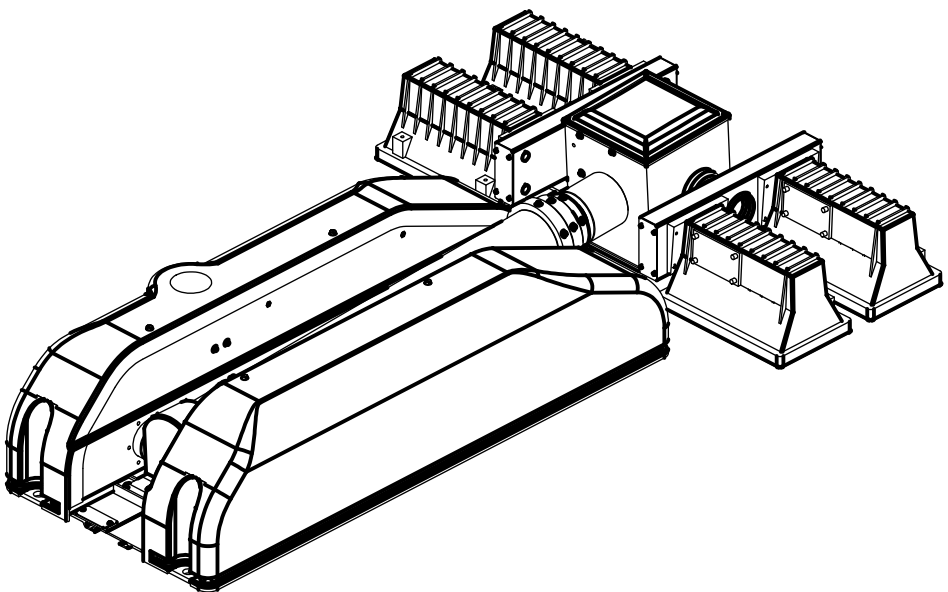
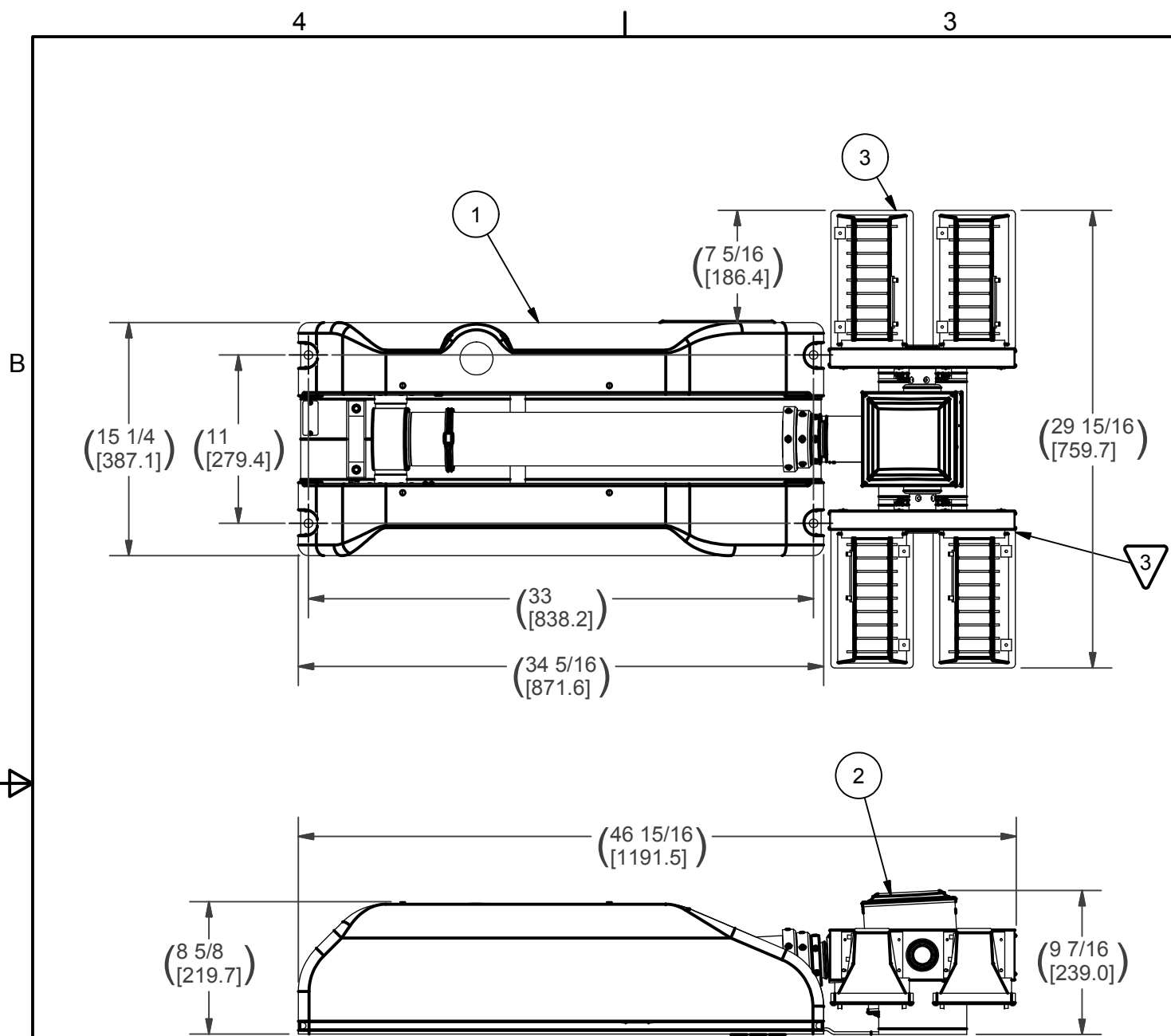


| REVISION HISTORY | | | | |
|------------------|-----|------------------|-----------|---------|
| ECN | REV | DESCRIPTION | DATE | BY/APPR |
| 11249 | R | RESTRUCTURED BOM | 9/06/2012 | RCC\ |



| BOM | | | |
|------|-----|-------------|--|
| ITEM | QTY | PART NUMBER | DESCRIPTION |
| 1 | 1 | 4522003 | NSC BASE ASSEMBLY 6.0 WHITE |
| 2 | 1 | 4548301 | NSC RCP, LIGHTS ONLY |
| 3 | 1 | 4590905 | MGN 4 LIGHT, 3000W (4-750W 220VAC) WHT |
| 4 | 1 | 4558901 | NSC LABEL KIT (NOT SHOWN) |
| 5 | 1 | 900600 | MAST OIL (SHIP LOOSE) |
| 6 | 1 | TP-4602001 | MANUAL, NS 1.8/2.3, CE, CD VERSION (NOT SHOWN) |
| 7 | 1 | 4584001 | FILLER, CORRUGATED NSC |

NOTES:

- 1 APPLY RTV #739 OR EQUAL TO ALL OPEN HOLES.
- 2 SEE WIRING DIAGRAM 46066 FOR ALL UNITS.
- 3 SET LIGHT BARS HOME POSITION PARALLEL TO BASE PLATE WHEN STOWED.

APPROX. WT:97.9 lbmass

THIRD ANGLE PROJECTION



UNLESS OTHERWISE SPECIFIED DIMENSIONS ARE IN INCHES.

TOLERANCES ON DECIMALS ANGLES
 0 = ± 0.030 ± 1/2°
 .00 = ± 0.010
 .000 = ± 0.005

FRACTIONAL ± 1/64"
 1. ALL INSIDE EDGES TO HAVE .005" TO .035" FILLETS.
 2. ALL OUTSIDE EDGES TO HAVE .005" TO .015" CHAMFER OR RADIUS.

125 ON ALL MACHINED SURFACES

PROPRIETARY AND CONFIDENTIAL
 THE INFORMATION CONTAINED IN THIS DRAWING IS THE SOLE PROPERTY OF THE WILL-BURT COMPANY ANY REPRODUCTION IN PART OR WHOLE WITHOUT THE WRITTEN PERMISSION OF THE WILL-BURT COMPANY IS PROHIBITED.



TITLE
NS 1.8-3600-4 MGN 220V WHT

| APPROVALS | DATE |
|--------------|----------|
| DRAWN RCC | 9/6/2012 |
| CHECKED | |

| SIZE | DWG NO | REV |
|------|-----------|-----|
| B | 720620041 | R |

PN: 720620041 SHEET 1 OF 1