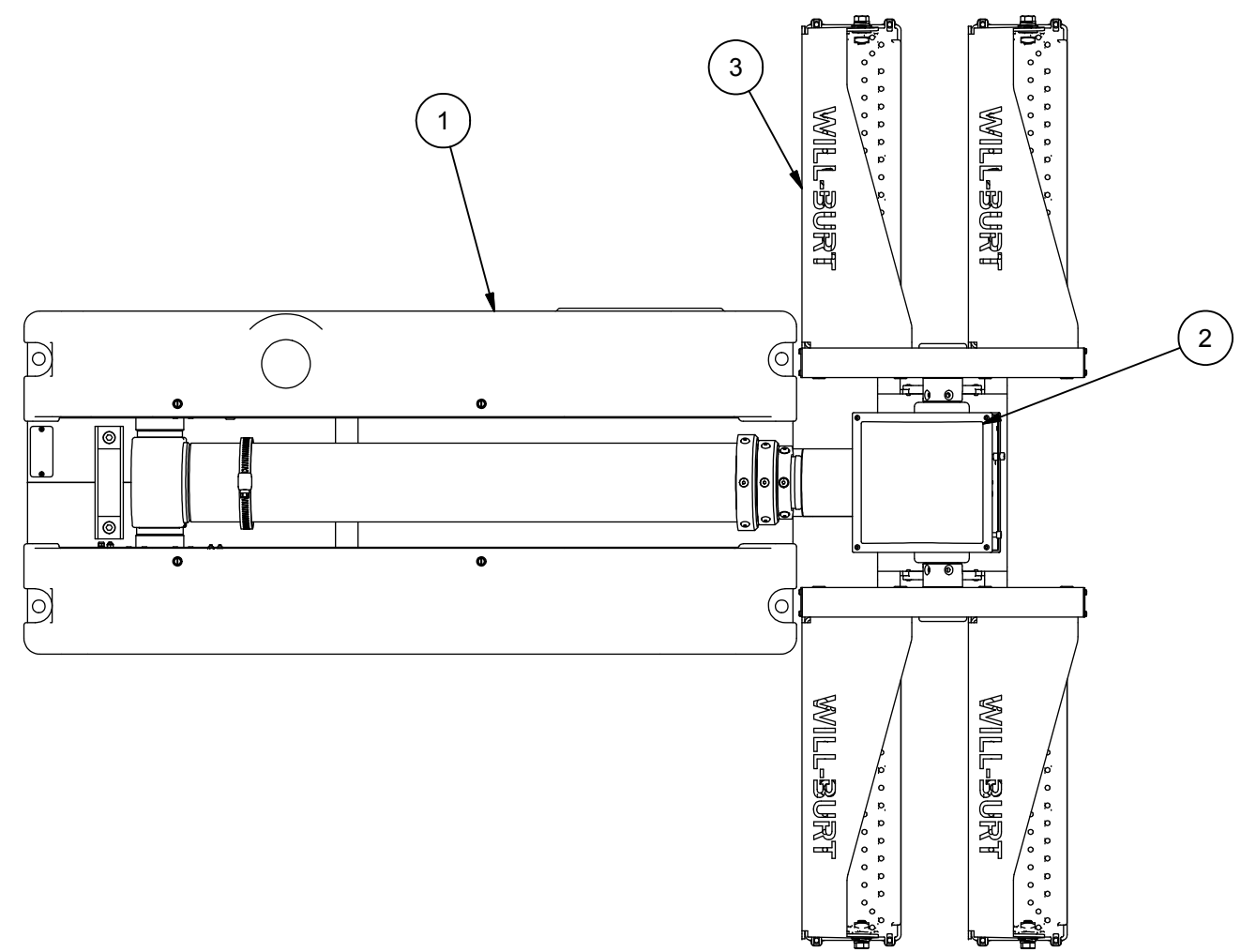


Table		ITEM-2 P/N	ITEM-3 P/N
PART NUMBER	DESCRIPTION		
720612612	NS 1.8-600 WHL PFH2 FLD/FLD 12VDC, WHT	4548301	5524301

REVISION HISTORY				
ECN	REV	DESCRIPTION	DATE	APPROVED
13928	00	INITIAL RELEASE	3/19/2018	RCC



- NOTES:
- 1 APPLY RTV #739 OR EQUAL TO ALL OPEN HOLES.
 - 2 SEE WIRING DIAGRAM WD-46276 FOR ALL UNITS.
 - 3 SET LIGHT BARS HOME POSITION PARALLEL TO BASE PLATE WHEN STOWED.

BOM			
ITEM	QTY	PART NUMBER	DESCRIPTION
1	1	4522003	NSC BASE ASSEMBLY 6.0 WHITE
2	1	SEE TABLE	NSC RCP
3	1	5524301	KIT, WHL PFH2 FLD/FLD 4-LIGHT 12VDC WHT
4	1	4558902	NSC LABEL KIT (NOT SHOWN)
5	1	TP-4602001	MANUAL, NS 1.8/2.3, CE, CD VERSION (NOT SHOWN)
6	1	WD-46276	WIRING DIAGRAM (NOT SHOWN)

UNLESS OTHERWISE SPECIFIED
DIMENSIONS ARE IN INCHES.

TOLERANCES ON DECIMALS ANGLES
 0 = ± 0.030 ± 1/2°
 00 = ± 0.010
 000 = ± 0.005

FRACTIONAL ± 1/64"
 1. ALL INSIDE EDGES TO HAVE
 .005" TO .035" FILLETS.
 2. ALL OUTSIDE EDGES TO HAVE
 .005" TO .015" CHAMFER OR RADIUS.

125° ON ALL MACHINED SURFACES

APPROX. WT:130.3 lbmass

THIRD ANGLE PROJECTION

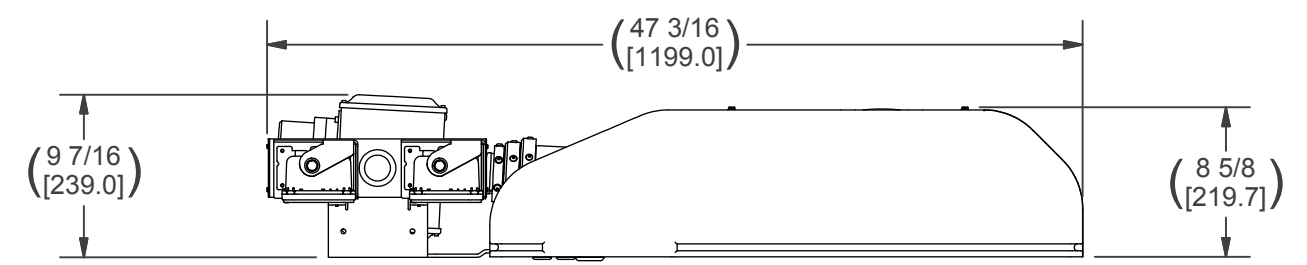
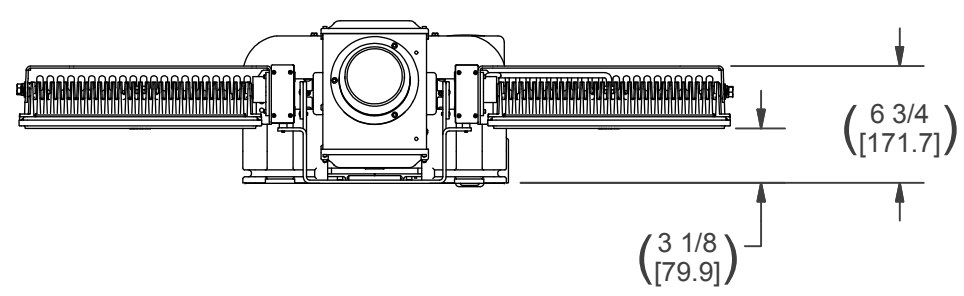
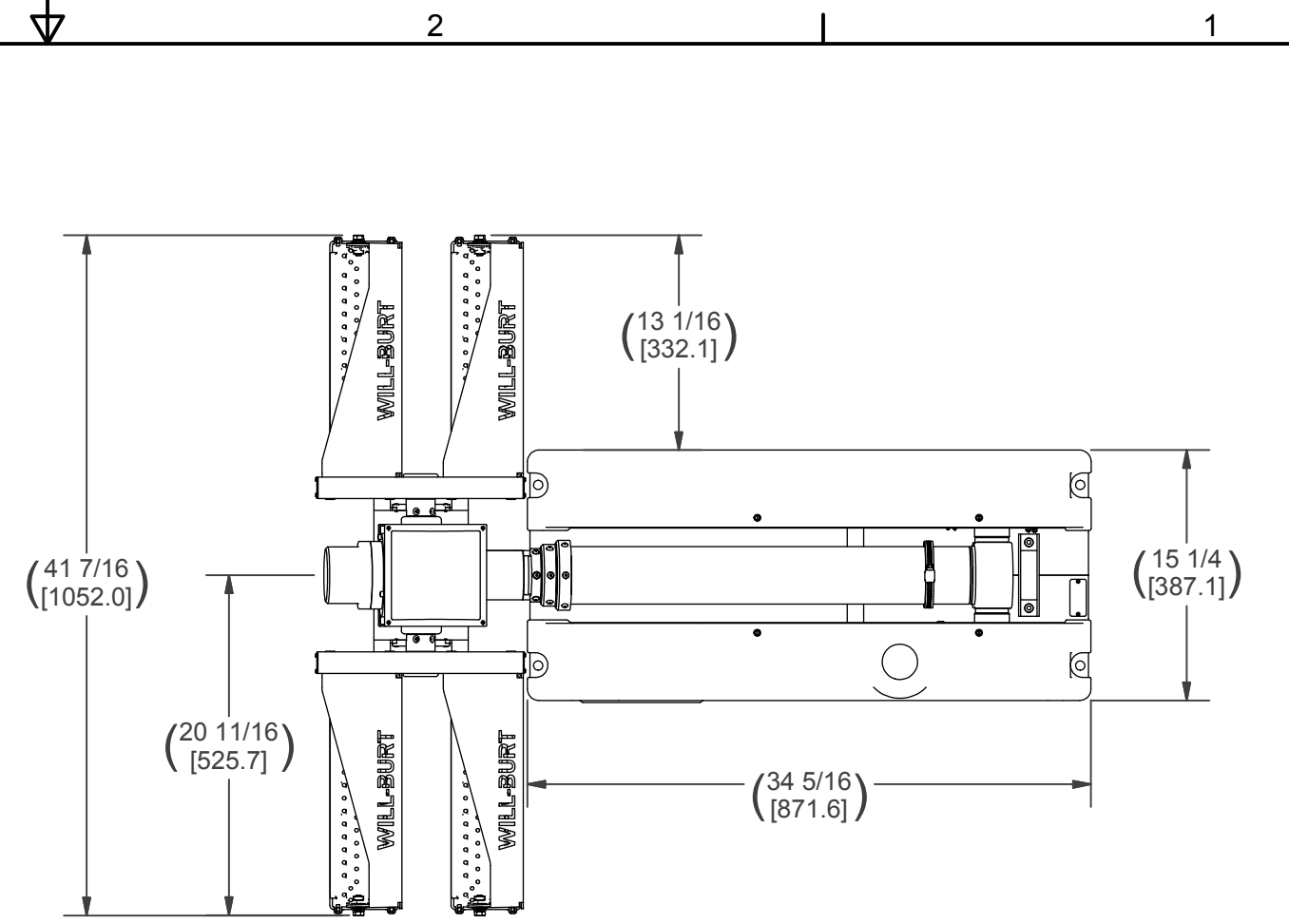
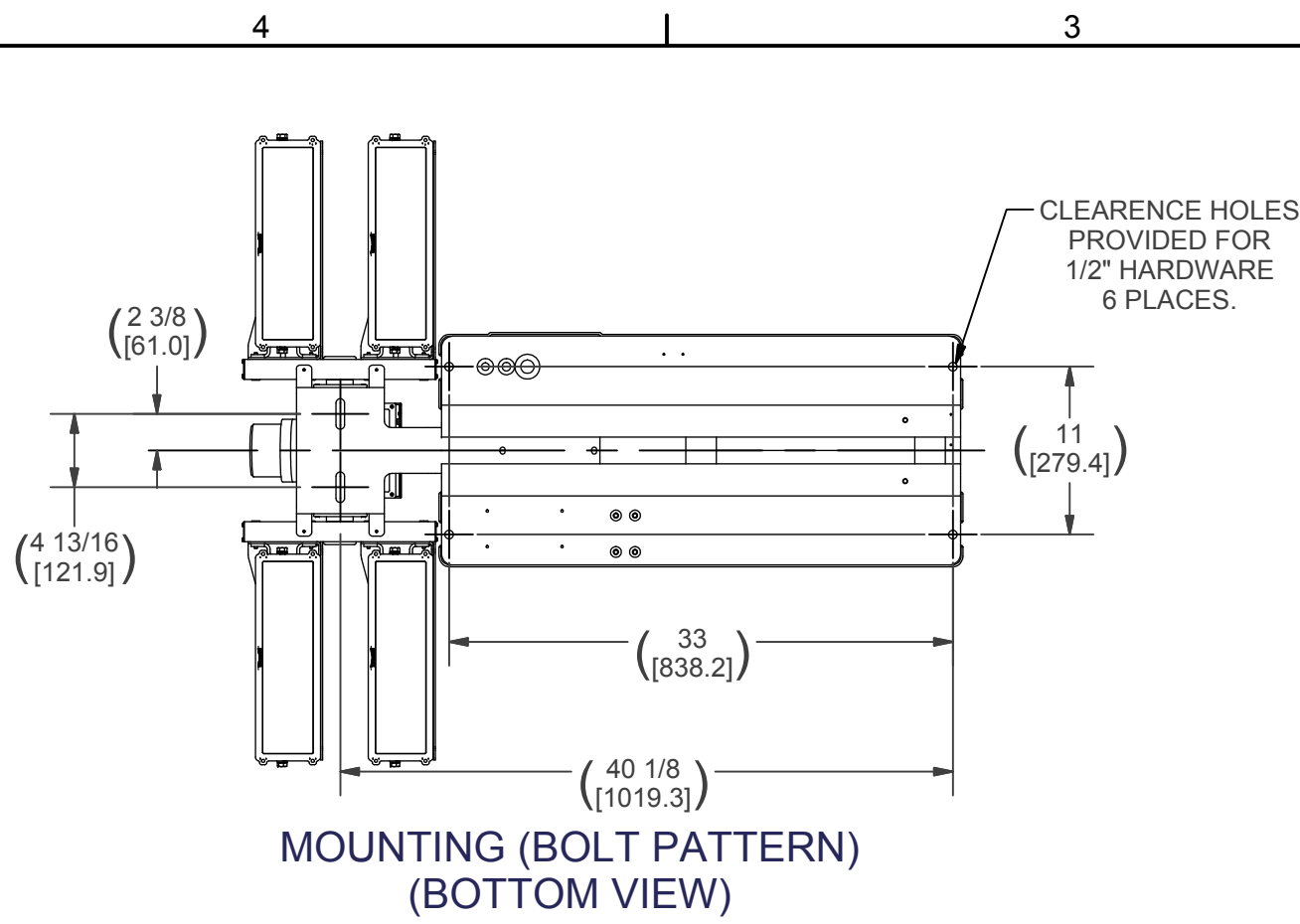
PROPRIETARY AND CONFIDENTIAL
 THE INFORMATION CONTAINED IN THIS
 DRAWING IS THE SOLE PROPERTY OF THE
 WILL-BURT COMPANY ANY REPRODUCTION
 IN PART OR WHOLE WITHOUT THE WRITTEN
 PERMISSION OF THE WILL-BURT COMPANY IS
 PROHIBITED.

APPROVALS	DATE
DRAWN RCC	3/20/2018
CHECKED	

WILL-BURT AN EMPLOYEE OWNED COMPANY
 ORRVILLE, OH

TITLE
**NS 1.8-600 WHL PFH2
 FLD/FLD 12VDC, WHT**

SIZE B	DWG NO 720612612	REV 00
PN: SEE TABLE ABOVE		SHEET 1 OF 2



NOTES:
 PRIMARY DIMENSIONS INCHES
 SECONDARY DIMENSIONS MILLIMETERS.

APPROX. WT:130.3 lbmass

THIRD ANGLE PROJECTION



UNLESS OTHERWISE SPECIFIED
 DIMENSIONS ARE IN INCHES.
 TOLERANCES ON DECIMALS ANGLES
 0 = ± 0.030 ± 1/2'
 00 = ± 0.010
 000 = ± 0.005
 FRACTIONAL ± 1/64"
 1. ALL INSIDE EDGES TO HAVE
 .005" TO .035" FILLETS.
 2. ALL OUTSIDE EDGES TO HAVE
 .005" TO .015" CHAMFER OR RADIUS.
 125° ON ALL MACHINED SURFACES

PROPRIETARY AND CONFIDENTIAL
 THE INFORMATION CONTAINED IN THIS
 DRAWING IS THE SOLE PROPERTY OF THE
 WILL-BURT COMPANY ANY REPRODUCTION
 IN PART OR WHOLE WITHOUT THE WRITTEN
 PERMISSION OF THE WILL-BURT COMPANY IS
 PROHIBITED.

W3 AN EMPLOYEE OWNED COMPANY
 WILL-BURT ORRVILLE, OH

TITLE
**NS 1.8-600 WHL PFH2
 FLD/FLD 12VDC, WHT**

APPROVALS	DATE
DRAWN RCC	3/20/2018
CHECKED	

SIZE B	DWG NO 720612612	REV 00
PN: SEE TABLE ABOVE	SHEET 2 OF 2	

ALL SPECIFICATIONS SUBJECT TO CHANGE WITHOUT NOTICE.