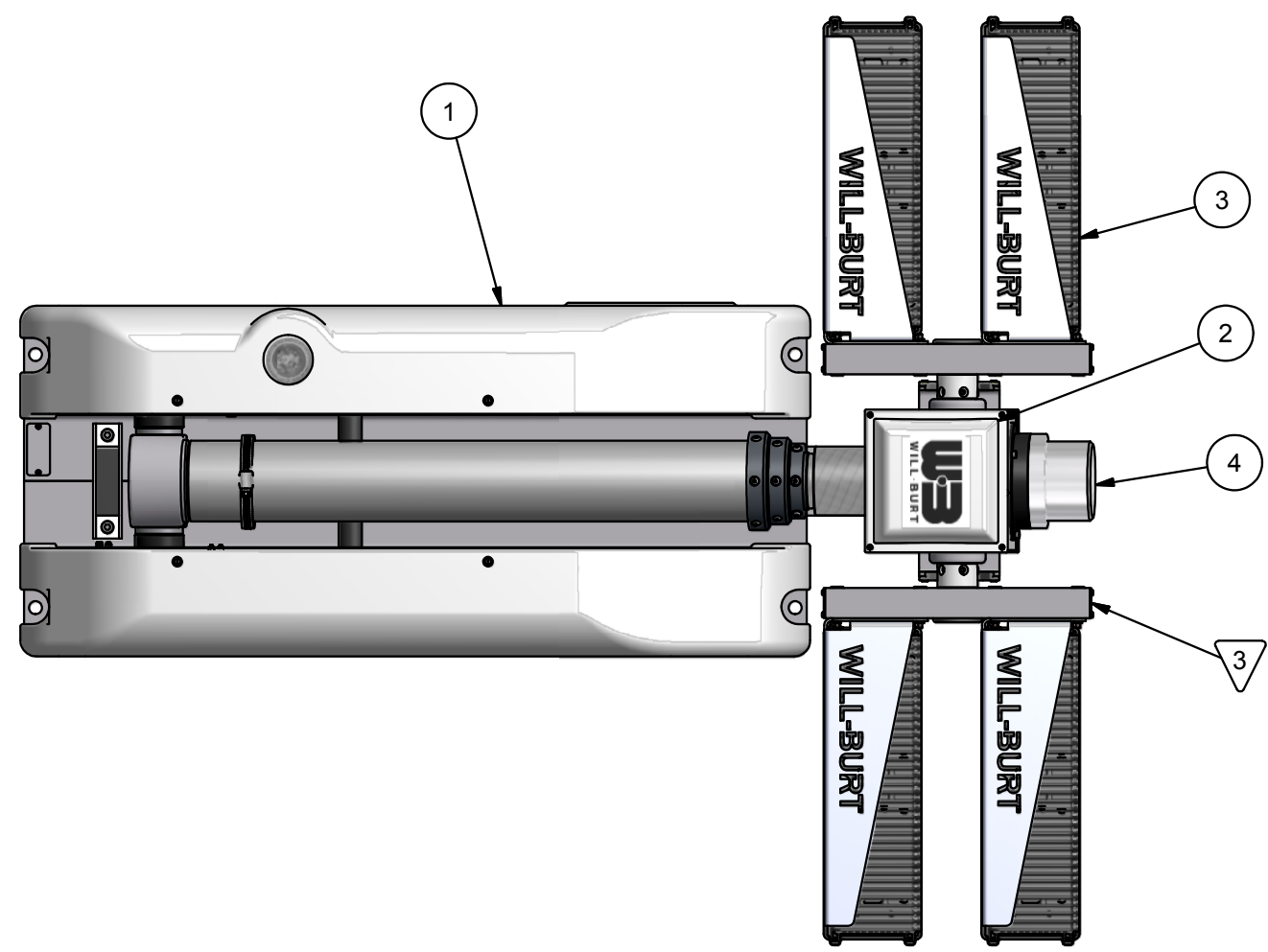


Table		ITEM-2 P/N	ITEM-3 P/N	ITEM-4 P/N
720612540	NS 1.8 600 (4X150) LED 24VDC WHL FLD	4548301	4597204	NONE
720612602	NS 1.8 600 (4X150) LED 12VDC WHL FLD/SPT	4548301	4597206	NONE
720612606	NS 1.8 600 (4X150) LED 12VDC WHL FLD/FLD	4548301	4597202	NONE
720612604	NS 1.8 600 (4X150) LED 24VDC WHL FLD/SPT	4548301	4597205	NONE
720613602	NS 1.8 600 (4X150) LED 110VAC WHL FLD/SPT	4548301	4621603	NONE
720613702	NS 1.8 600 (4X150) LED 110VDC WHL FLD/FLD	4548301	4621602	NONE
720613703	NS 1.8 600 (4X150) LED 110VDC WHL FLD W/GRN STROBE	4548305	4621602	4481603

REVISION HISTORY				
ECN	REV	DESCRIPTION	DATE	BY/APPR
10366	Q	SEE ECN	12/21/2011	CJM\
10634	R	NEW BOM - FROM OLD STYLE TO NEW COST REDUCED	7/22/2011	RCC\
	T	Added 720612606 Assembly	8/15/2011	RCC\
10881	U	REPLACE 4558902 WITH 4558901	1/17/2012	CJY



- NOTES:
- 1 APPLY RTV #739 OR EQUAL TO ALL OPEN HOLES.
  - 2 SEE WIRING DIAGRAM 46066 FOR ALL UNITS.
  - 3 SET LIGHT BARS HOME POSITION PARALLEL TO BASE PLATE WHEN STOWED.

BOM			
ITEM	QTY	PART NUMBER	DESCRIPTION
1	1	4522003	NSC BASE ASSEMBLY 6.0 WHITE
2	1	SEE TABLE	NSC RCP
3	1	SEE TABLE	WHELEN LIGHT KIT
4	1	SEE TABLE	Light, Strobe Kit
5	1	4584001	FILLER, CORRUGATED 9.0 X 14.5 X 6.0
6	1	4558901	NSC LABEL KIT (NOT SHOWN)
7	1	900600	MAST OIL (SHIP LOOSE) (NOT SHOWN)
8	1	TP-4602001	MANUAL, NS 1.8/2.3, CE, CD VERSION (NOT SHOWN)

UNLESS OTHERWISE SPECIFIED DIMENSIONS ARE IN INCHES.

TOLERANCES ON DECIMALS    ANGLES  
 0 = ± 0.030                      ± 1/2°  
 00 = ± 0.010  
 000 = ± 0.005

FRACTIONAL ± 1/64"

1. ALL INSIDE EDGES TO HAVE .005" TO .035" FILLETS.  
 2. ALL OUTSIDE EDGES TO HAVE .005" TO .015" CHAMFER OR RADIUS.

APPROX. WT: N/A

THIRD ANGLE PROJECTION

125° ON ALL MACHINED SURFACES

**PROPRIETARY AND CONFIDENTIAL**  
 THE INFORMATION CONTAINED IN THIS DRAWING IS THE SOLE PROPERTY OF THE WILL-BURT COMPANY ANY REPRODUCTION IN PART OR WHOLE WITHOUT THE WRITTEN PERMISSION OF THE WILL-BURT COMPANY IS PROHIBITED.

APPROVALS                      DATE  
 DRAWN                              7/22/2011  
 RCC

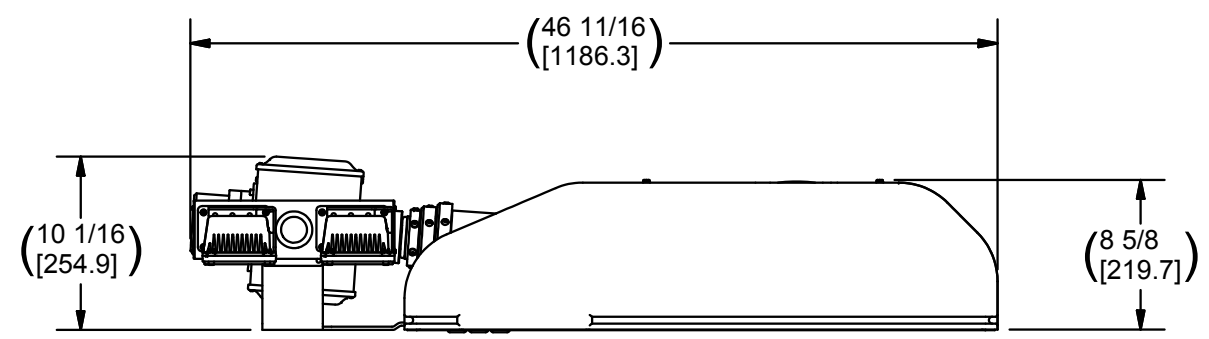
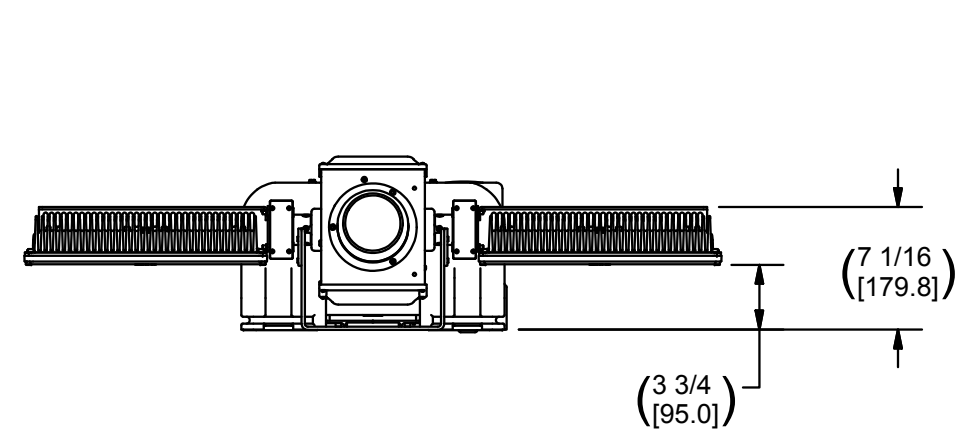
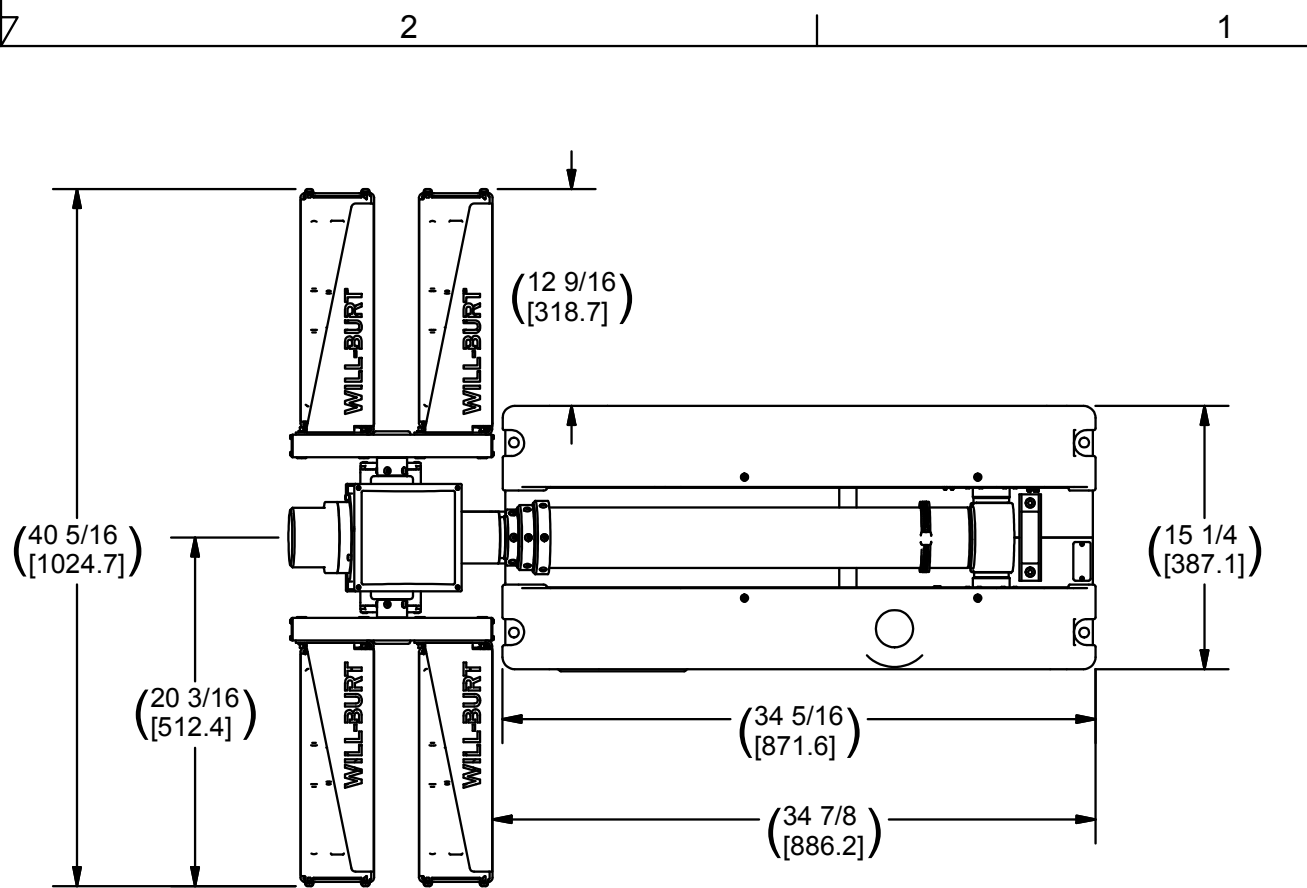
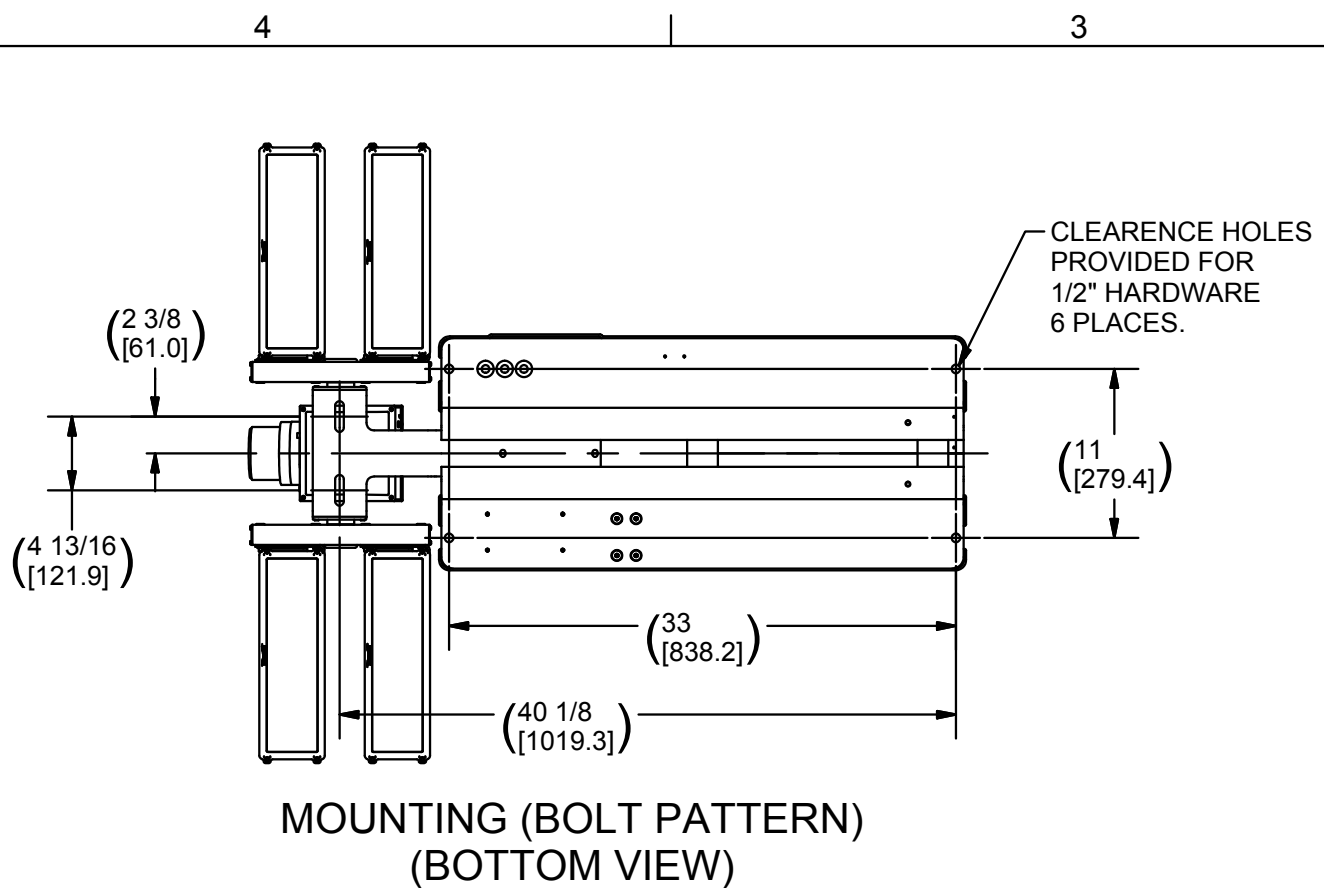
CHECKED

**WILL-BURT** AN EMPLOYEE OWNED COMPANY  
 ORRVILLE, OH

TITLE  
**NS 1.8 600 (4 X 150)  
 LED WHL**

SIZE    DWG NO    REV  
 B                      720612540    U

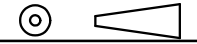
PN:                      SHEET 1 OF 2  
 SEE TABLE ABOVE



NOTES:  
 PRIMARY DIMENSIONS INCHES  
 SECONDARY DIMENSIONS MILLIMETERS.

APPROX. WT:N/A

THIRD ANGLE PROJECTION



UNLESS OTHERWISE SPECIFIED  
 DIMENSIONS ARE IN INCHES.  
 TOLERANCES ON DECIMALS ANGLES  
 0 = ± 0.030 ± 1/2°  
 00 = ± 0.010  
 000 = ± 0.005  
 FRACTIONAL ± 1/64"  
 1. ALL INSIDE EDGES TO HAVE  
 .005" TO .035" FILLETS.  
 2. ALL OUTSIDE EDGES TO HAVE  
 .005" TO .015" CHAMFER OR RADIUS.  
 125° ON ALL MACHINED SURFACES

**PROPRIETARY AND CONFIDENTIAL**  
 THE INFORMATION CONTAINED IN THIS  
 DRAWING IS THE SOLE PROPERTY OF THE  
 WILL-BURT COMPANY ANY REPRODUCTION  
 IN PART OR WHOLE WITHOUT THE WRITTEN  
 PERMISSION OF THE WILL-BURT COMPANY IS  
 PROHIBITED.

**WB** AN EMPLOYEE OWNED COMPANY  
 WILL-BURT ORRVILLE, OH

TITLE  
**NS 1.8 600 (4 X 150)  
 LED WHL**

APPROVALS	DATE
DRAWN RCC	7/22/2011
CHECKED	

SIZE B	DWG NO 720612540	REV U
PN: SEE TABLE ABOVE		SHEET 2 OF 2

ALL SPECIFICATIONS SUBJECT TO CHANGE WITHOUT NOTICE.