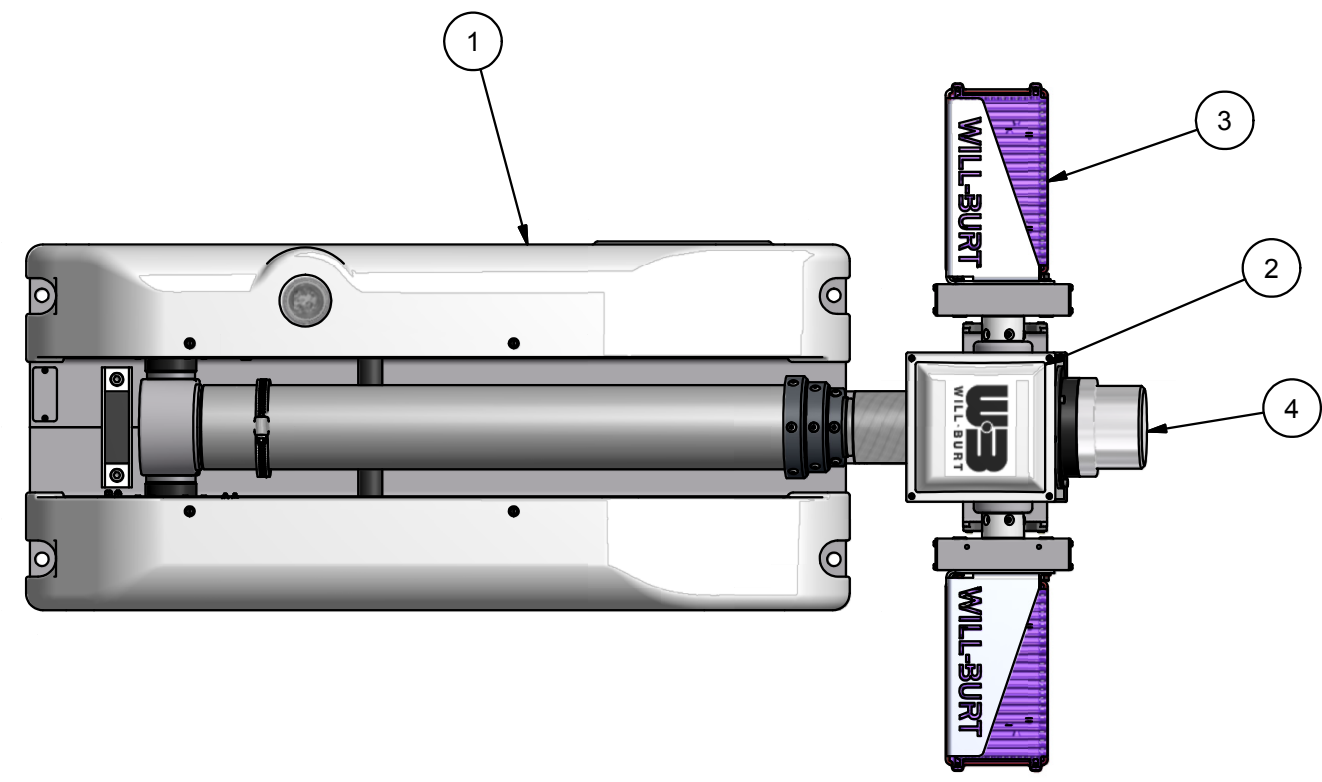


Table				
PART NUMBER	DESCRIPTION	ITEM-2 P/N	ITEM-3 P/N	ITEM-4 P/N
720611840	NS 1.8 150 (2X75) LED 12VDC WHL FLD	4548301	4597101	NONE
720612240	NS 1.8 150 (2X75) LED 24VDC WHL FLD	4548301	4597103	NONE

REVISION HISTORY				
ECN	REV	DESCRIPTION	DATE	BY/APPR
10366	Q	SEE ECN	12/21/2011	CJM
10634	R	NEW BOM - FROM OLD STYLE TO NEW COST REDUCED	7/22/2011	RCC
10881	S	REPLACE 4558902 WITH 4558901	1/18/2012	CJY



- NOTES:
- 1 APPLY RTV #739 OR EQUAL TO ALL OPEN HOLES.
 - 2 SEE WIRING DIAGRAM 46066 FOR ALL UNITS.
 - 3 SET LIGHT BARS HOME POSITION PARALLEL TO BASE PLATE WHEN STOWED.

BOM				
ITEM	QTY	PART NUMBER	DESCRIPTION	
1	1	4522003	NSC BASE ASSEMBLY 6.0 WHITE	
2	1	SEE TABLE	NSC RCP	
3	1	SEE TABLE	WHELEN LED LIGHT KIT	
4	1	SEE TABLE	Light, Strobe Kit	
5	1	4584001	FILLER, CORRUGATED 9.0 X 14.5 X 6.0	
6	1	4558901	NSC LABEL KIT (NOT SHOWN)	
7	1	900600	MAST OIL (SHIP LOOSE) (NOT SHOWN)	
8	1	TP-4602001	MANUAL, NS 1.8/2.3, CE, CD VERSION (NOT SHOWN)	

UNLESS OTHERWISE SPECIFIED
DIMENSIONS ARE IN INCHES.

TOLERANCES ON DECIMALS ANGLES
 0 = ± 0.030 ± 1/2°
 00 = ± 0.010
 000 = ± 0.005

FRACTIONAL ± 1/64"
 1. ALL INSIDE EDGES TO HAVE
 .005" TO .035" FILLETS.
 2. ALL OUTSIDE EDGES TO HAVE
 .005" TO .015" CHAMFER OR RADIUS.

125° ON ALL MACHINED SURFACES

APPROX. WT:N/A

THIRD ANGLE PROJECTION

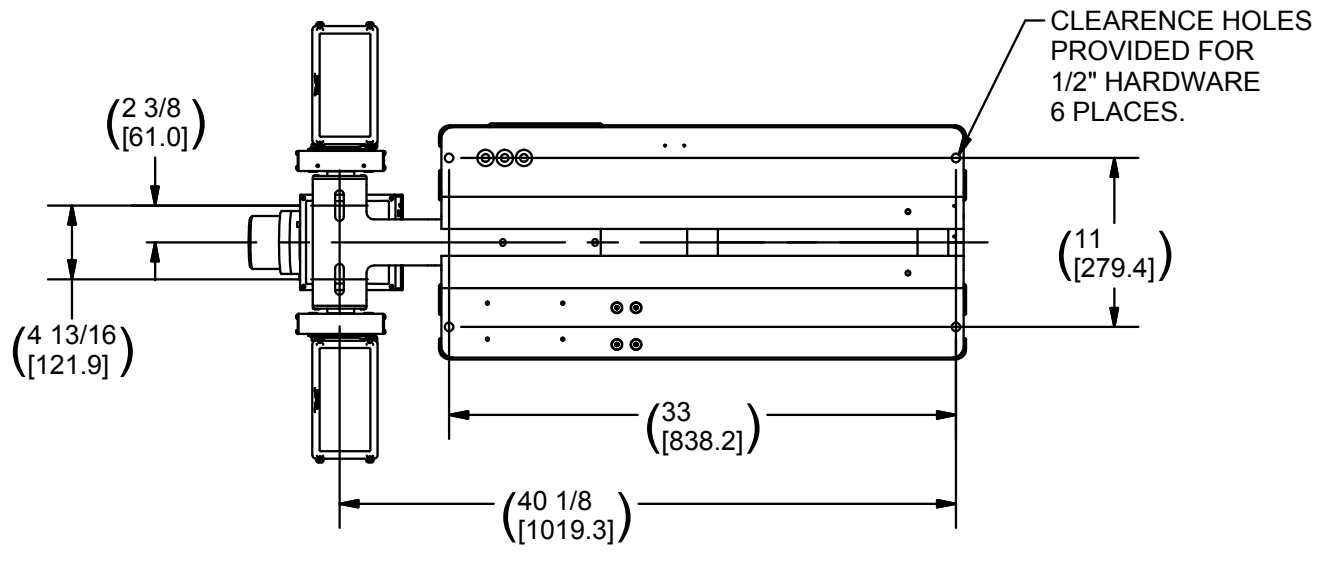
PROPRIETARY AND CONFIDENTIAL
 THE INFORMATION CONTAINED IN THIS
 DRAWING IS THE SOLE PROPERTY OF THE
 WILL-BURT COMPANY ANY REPRODUCTION
 IN PART OR WHOLE WITHOUT THE WRITTEN
 PERMISSION OF THE WILL-BURT COMPANY IS
 PROHIBITED.

APPROVALS	DATE
DRAWN RCC	7/22/2011
CHECKED	

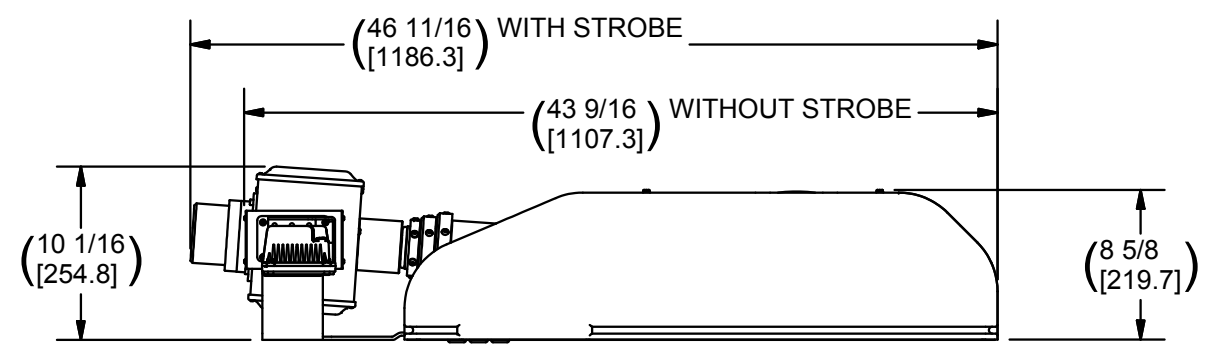
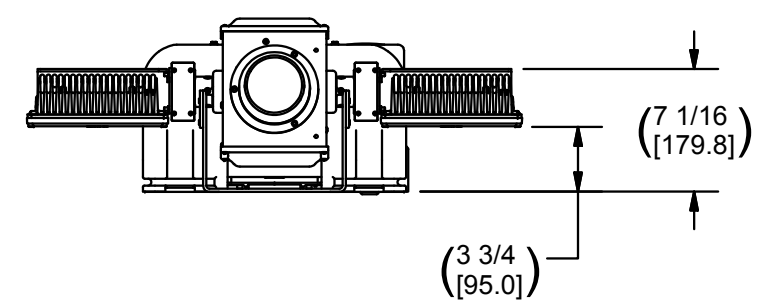
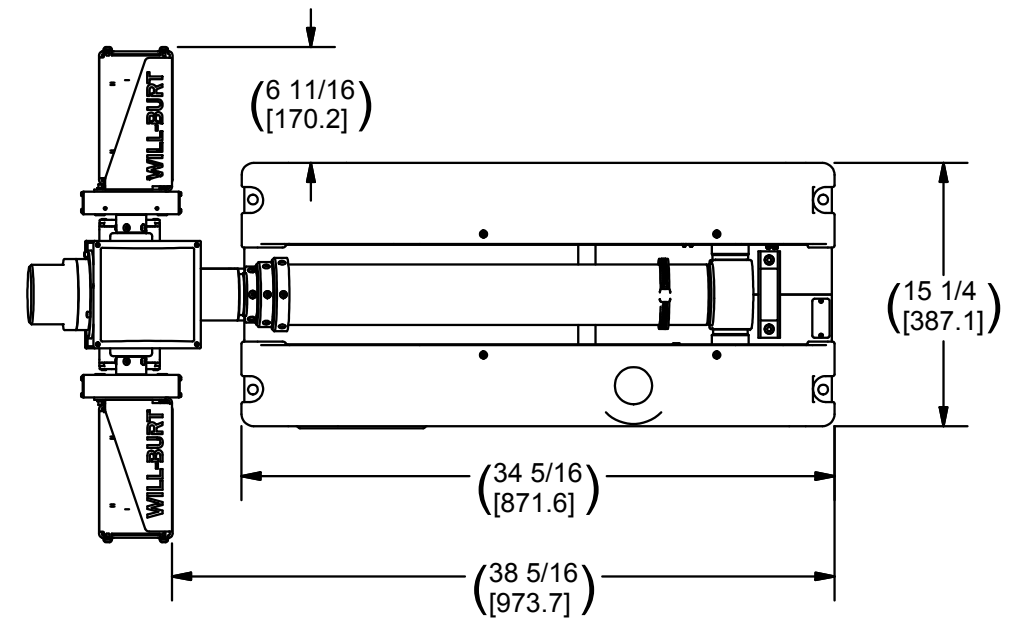
WILL-BURT AN EMPLOYEE OWNED COMPANY
 ORRVILLE, OH

TITLE
NS 1.8 150 (2 X 75) LED WHL

SIZE B	DWG NO 720611840	REV S
PN: SEE TABLE ABOVE		SHEET 1 OF 2



MOUNTING (BOLT PATTERN)
(BOTTOM VIEW)



ALL SPECIFICATIONS SUBJECT TO CHANGE WITHOUT NOTICE.

NOTES:
PRIMARY DIMENSIONS INCHES
SECONDARY DIMENSIONS MILLIMETERS.

APPROX. WT:N/A
THIRD ANGLE PROJECTION

UNLESS OTHERWISE SPECIFIED
DIMENSIONS ARE IN INCHES.
TOLERANCES ON DECIMALS ANGLES
0 = ± 0.030 ± 1/2'
00 = ± 0.010
000 = ± 0.005
FRACTIONAL ± 1/64"
1. ALL INSIDE EDGES TO HAVE
.005" TO .035" FILLETS.
2. ALL OUTSIDE EDGES TO HAVE
.005" TO .015" CHAMFER OR RADIUS.
125° ON ALL MACHINED SURFACES

PROPRIETARY AND CONFIDENTIAL
THE INFORMATION CONTAINED IN THIS
DRAWING IS THE SOLE PROPERTY OF THE
WILL-BURT COMPANY ANY REPRODUCTION
IN PART OR WHOLE WITHOUT THE WRITTEN
PERMISSION OF THE WILL-BURT COMPANY IS
PROHIBITED.

APPROVALS	DATE
DRAWN RCC	7/22/2011
CHECKED	

WILL-BURT AN EMPLOYEE OWNED COMPANY
ORRVILLE, OH

TITLE
NS 1.8 150 (2 X 75) LED WHL

SIZE B	DWG NO 720611840	REV S
PN: SEE TABLE ABOVE	SHEET 2 OF 2	