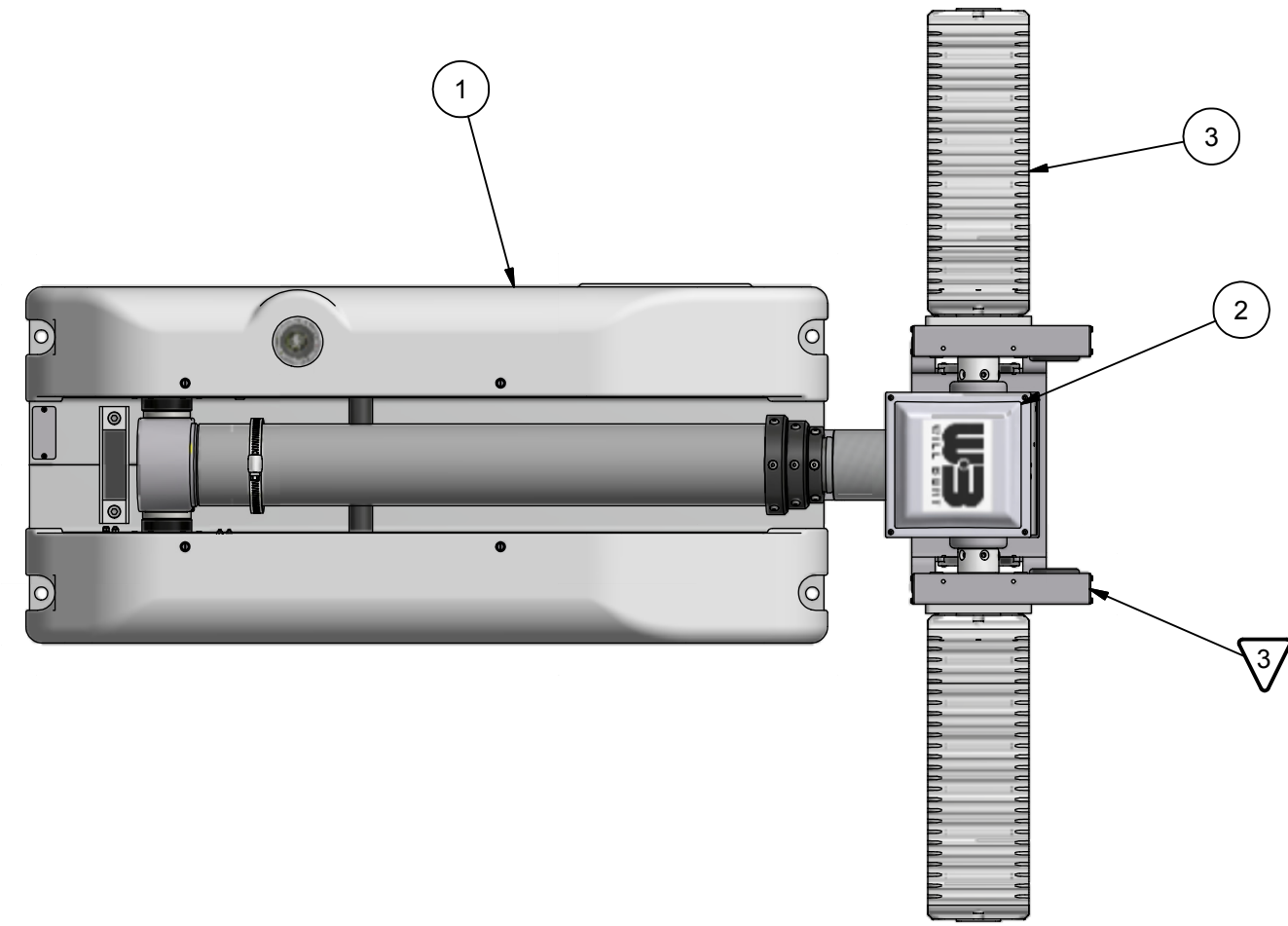


REVISION HISTORY				
ECN	REV	DESCRIPTION	DATE	APPROVED
12152	00	NEW RELEASE	5/2/2014	RCC



- NOTES:
- 1 APPLY RTV #739 OR EQUAL TO ALL OPEN HOLES.
 - 2 SEE WIRING DIAGRAM 46066 FOR ALL UNITS.
 - 3 SET LIGHT BARS HOME POSITION PARALLEL TO BASE PLATE WHEN STOWED.

BOM			
ITEM	QTY	PART NUMBER	DESCRIPTION
1	1	4522003	NSC BASE ASSEMBLY 6.0 WHITE
2	1	4548301	NSC RCP, LIGHTS ONLY
3	1	5048101	KIT, LIGHT NS XL LED 250W 2X125 12/24VDC
4	1	4584001	FILLER, CORRUGATED 9.0 X 14.5 X 6.0
5	1	4558901	NSC LABEL KIT (NOT SHOWN)
6	1	TP-4602001	MANUAL, NS 1.8/2.3, CE, CD VERSION (NOT SHOWN)

UNLESS OTHERWISE SPECIFIED
DIMENSIONS ARE IN INCHES.

TOLERANCES ON DECIMALS ANGLES
0 = ± 0.030 ± 1/2°
00 = ± 0.010
000 = ± 0.005

FRACTIONAL ± 1/64"
1. ALL INSIDE EDGES TO HAVE
.005" TO .035" FILLETS.
2. ALL OUTSIDE EDGES TO HAVE
.005" TO .015" CHAMFER OR RADIUS.

125° ON ALL MACHINED SURFACES

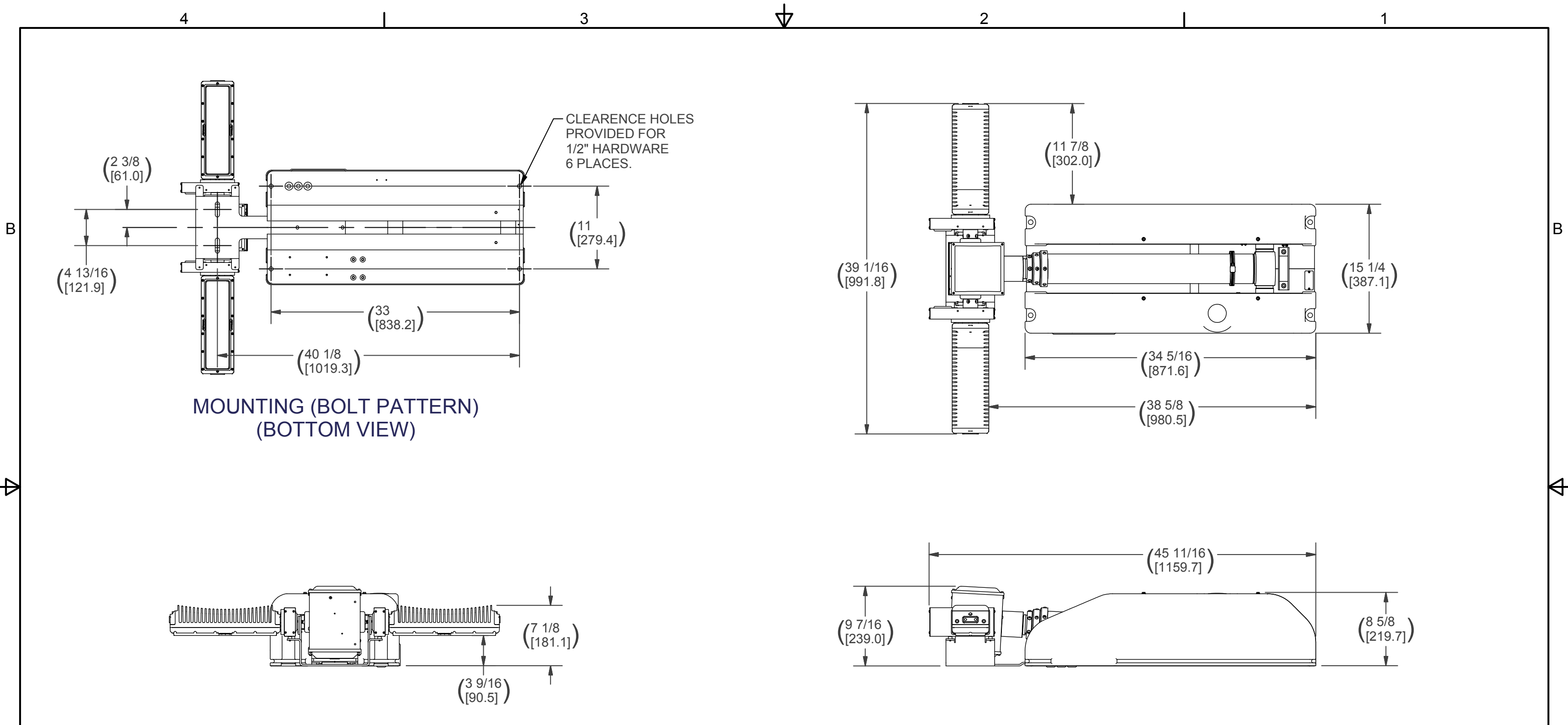
APPROX. WT:98.3 lbmass

THIRD ANGLE PROJECTION

PROPRIETARY AND CONFIDENTIAL
THE INFORMATION CONTAINED IN THIS
DRAWING IS THE SOLE PROPERTY OF THE
WILL-BURT COMPANY ANY REPRODUCTION
IN PART OR WHOLE WITHOUT THE WRITTEN
PERMISSION OF THE WILL-BURT COMPANY IS
PROHIBITED.

APPROVALS	DATE
DRAWN RCC	5/2/2014
CHECKED	

AN EMPLOYEE OWNED COMPANY ORRVILLE, OH	
TITLE NS 1.8 250 2X125W NS-XL 12/24 WHT	
SIZE B	DWG NO 720600021
REV 00	
PN: 720600021	SHEET 1 OF 2



ALL SPECIFICATIONS SUBJECT TO CHANGE WITHOUT NOTICE.

NOTES:
PRIMARY DIMENSIONS INCHES
SECONDARY DIMENSIONS MILLIMETERS.

APPROX. WT:98.3 lbmass

THIRD ANGLE PROJECTION



UNLESS OTHERWISE SPECIFIED DIMENSIONS ARE IN INCHES.

TOLERANCES ON DECIMALS ANGLES

0 = ± 0.030 ± 1/2°

00 = ± 0.010

000 = ± 0.005

FRACTIONAL ± 1/64"

1. ALL INSIDE EDGES TO HAVE .005" TO .035" FILLETS.

2. ALL OUTSIDE EDGES TO HAVE .005" TO .015" CHAMFER OR RADIUS.

$\sqrt[125]{}$ ON ALL MACHINED SURFACES

PROPRIETARY AND CONFIDENTIAL

THE INFORMATION CONTAINED IN THIS DRAWING IS THE SOLE PROPERTY OF THE WILL-BURT COMPANY ANY REPRODUCTION IN PART OR WHOLE WITHOUT THE WRITTEN PERMISSION OF THE WILL-BURT COMPANY IS PROHIBITED.

WB AN EMPLOYEE OWNED COMPANY
WILL-BURT ORRVILLE, OH

TITLE
**NS 1.8 250 2X125W
NS-XL 12/24 WHT**

APPROVALS	DATE
DRAWN RCC	5/2/2014
CHECKED	

SIZE B	DWG NO 720600021	REV 00
PN: 720600021	SHEET 2 OF 2	