

4

3

2

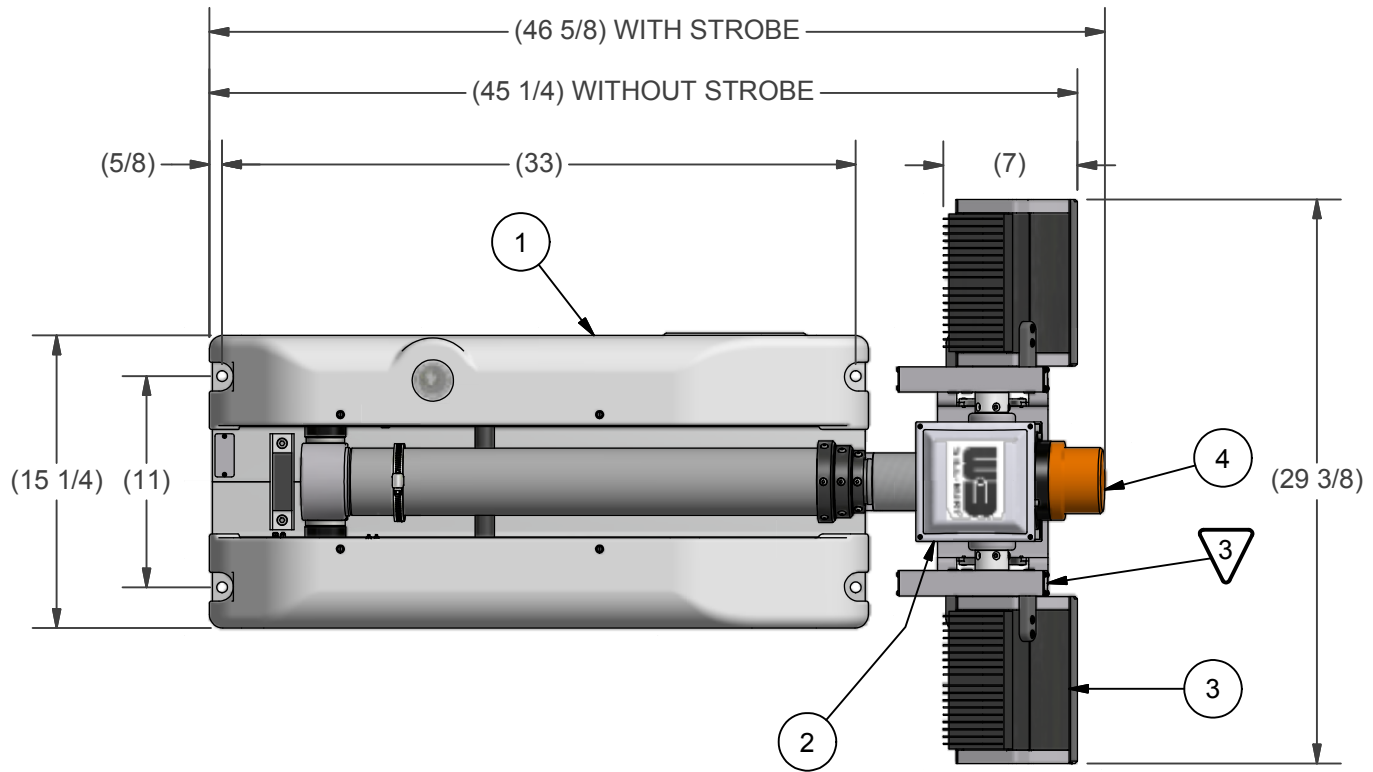
1

| ASSEMBLY NUMBER | DESCRIPTION                           | ITEM-2 P/N | ITEM-3 P/N | ITEM-4 P/N |
|-----------------|---------------------------------------|------------|------------|------------|
| 720678043       | NS 1.8-300-2 OPT-12VDC W/AMBER STROBE | 4548305    | 4573505    | 4481601    |
| 720679042       | NS 1.8-300-2 OPT-24VDC WHITE          | 4548301    | 4573502    | NONE       |
| 720678041       | NS 1.8-300-2 OPT-12VDC WHITE          | 4548301    | 4573505    | NONE       |
| 720674041       | NS 1.8-140-2 OPT-24VDC WHITE          | 4548301    | 4573507    | NONE       |
| 720669040       | NS 1.8-1000-2 OPT 220V WHITE          | 4548301    | 4573517    | NONE       |
| 720668040       | NS 1.8-1500-2 OPT-220V WHITE          | 4548301    | 4573511    | NONE       |
| 720653041       | NS 1.8-1500-2 OPT-110V WHITE          | 4548301    | 4573515    | NONE       |
| 720678045       | NS 1.8-300-2 OPT-12VDC W/RED STRB     | 4548305    | 4573505    | 4481602    |
| 720678046       | NS 1.8-300-2 OPT-12VDC W/GRN STRB     | 4548305    | 4573505    | 4481603    |
| 720669041       | NS 1.8-1000-2 OPT 120V WHITE          | 4548301    | 4573519    | NONE       |

| REVISION HISTORY |     |                                   |           |         |
|------------------|-----|-----------------------------------|-----------|---------|
| ECN              | REV | DESCRIPTION                       | DATE      | BY/APPR |
| 10452            | A   | INITIAL RELEASE                   | 3/02/2011 | SMB\    |
| 11089            | B   | Added P/N's 720678045 & 720678046 | 6/15/2012 | RCC\    |
| 11780            | C   | Added P/N's 720669041             | 9/16/2013 | RCC     |

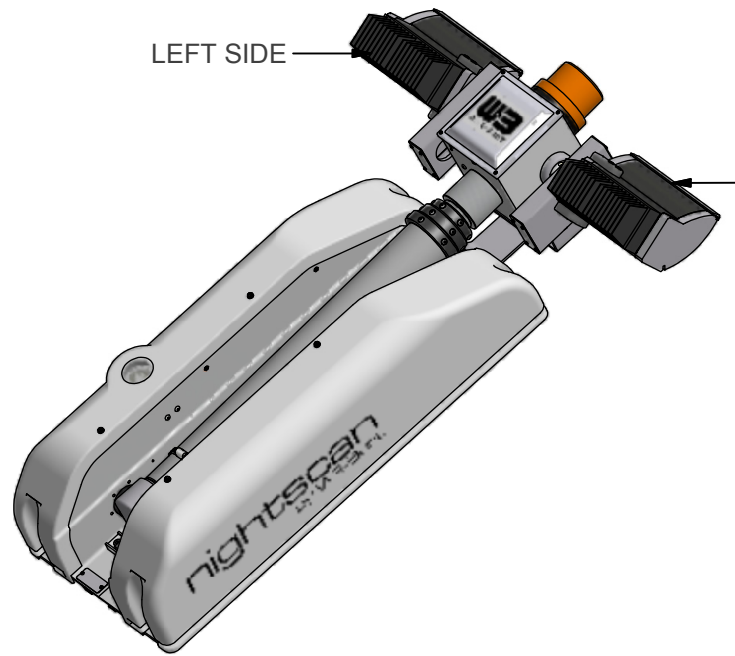


B



LEFT SIDE

RIGHT SIDE



B

A



APPROX. WT:97.1 lbmass

THIRD ANGLE PROJECTION



UNLESS OTHERWISE SPECIFIED DIMENSIONS ARE IN INCHES.

TOLERANCES ON DECIMALS ANGLES

0 = ± 0.030 ± 1/2°

00 = ± 0.010

000 = ± 0.005

FRACTIONAL ± 1/64"

1. ALL INSIDE EDGES TO HAVE .005" TO .035" FILLETS.

2. ALL OUTSIDE EDGES TO HAVE .005" TO .015" CHAMFER OR RADIUS.

125 ON ALL MACHINED SURFACES

| BOM  |     |             |  |
|------|-----|-------------|--|
| ITEM | QTY | PART NUMBER | DESCRIPTION                                    |
| 1    | 1   | 4522003     | NSC BASE ASSEMBLY 6.0 WHITE                    |
| 2    | 1   | SEE TABLE   | NSC RCP  |
| 3    | 1   | SEE TABLE   | OPTIMUM LIGHT KIT                              |
| 4    | 1   | SEE TABLE   | LIGHT, STROBE KIT                              |
| 5    | 1   | 4558901     | NSC LABEL KIT (NOT SHOWN)                      |
| 6    | 1   | TP-4602001  | MANUAL, NS 1.8/2.3, CE, CD VERSION (NOT SHOWN) |
| 7    | 1   | 4584001     | FILLER, CORRUGATED NSC (NOT SHOWN)             |

- NOTES:
- 1 APPLY RTV #739 OR EQUAL TO ALL OPEN HOLES.
  - 2 SEE WIRING DIAGRAM 46066 FOR ALL UNITS.
  - 3 SET LIGHT BARS HOME POSITION PARALLEL TO BASE PLATE WHEN STOWED.

**PROPRIETARY AND CONFIDENTIAL**

THE INFORMATION CONTAINED IN THIS DRAWING IS THE SOLE PROPERTY OF THE WILL-BURT COMPANY ANY REPRODUCTION IN PART OR WHOLE WITHOUT THE WRITTEN PERMISSION OF THE WILL-BURT COMPANY IS PROHIBITED.



TITLE

**NS 1.8 2-LIGHT SHORT OPTIMUM KIT**

| APPROVALS | DATE     |
|-----------|----------|
| DRAWN SMB | 3/2/2011 |
| CHECKED   |          |

| SIZE          | DWG NO    | REV          |
|---------------|-----------|--------------|
| B             | 720678043 | C            |
| PN: 720678043 |           | SHEET 1 OF 1 |