

4

3

2

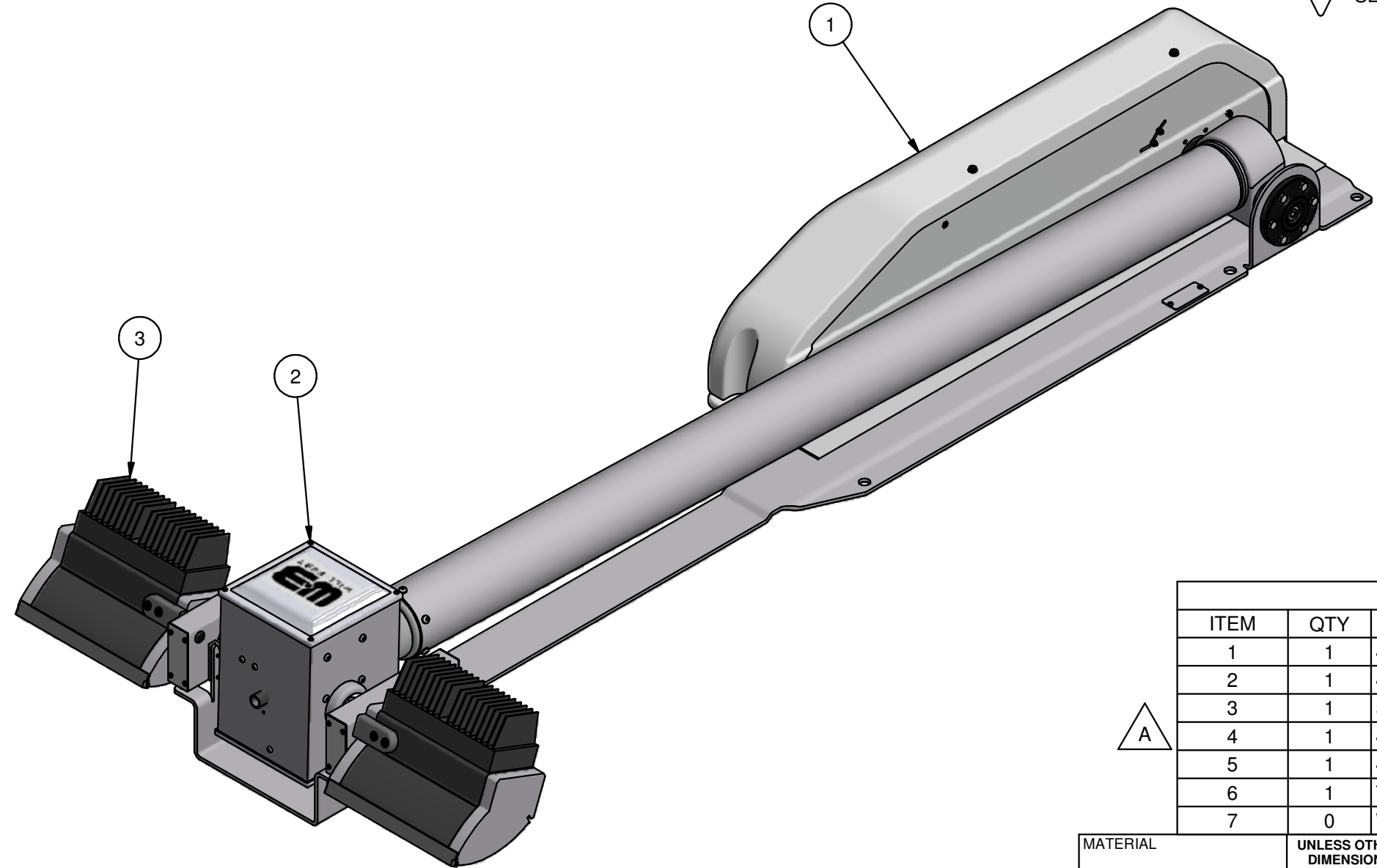
1

ASSEMBLY TABLE		
ASSEMBLY NUMBER	DESCRIPTION	ITEM-3 LIGHT KIT P/N
720578040	NSS 1.5 (12V) 300-2 OPT-12V	4573505
720568041	NSS 1.5 (12V) 1500-2 OPT-220V	4573511
720568042	NSS 1.5 (12V) 1500-2 OPT-110V	4573515
720569040	NSS 1.5 (12V) 1000-2 OPT-220V	4573517
720554040	NSS 1.5 (12V) 1000-2 OPT-110V	4573519
720573040	NSS 1.5 (12V) 140-2 OPT-12V	4573521

REVISION HISTORY				
ECN	REV	DESCRIPTION	DATE	APPROVED
11288	00	INITIAL RELEASE	10/26/2012	CPD
11778	A	REMOVED 900600; REPLACED 4558902 WITH 4558905	9/16/2013	CJY

NOTES:

- 1 APPLY RTV #739 OR EQUAL TO ALL OPEN HOLES
- 2 SEE WIRING DIAGRAM WD-48345 FOR ALL UNITS
- 3 SET LIGHT BAR HOME POSITION PARALLEL TO BASE PLATE WHEN STOWED



BOM			
ITEM	QTY	PART NUMBER	DESCRIPTION
1	1	4834503	BASE ASSEMBLY, NS SCOUT
2	1	4855101	RCP ASS'Y, NS SCOUT
3	1	SEE ASSEMBLY TABLE	OPTIMUM LIGHT KIT
4	1	4558905	NSC 1.0/1.5 LABEL KIT CE (NOT SHOWN)
5	1	4742301	NS 1.0 BLUE CONTROL BOX HHRC (NOT SHOWN)
6	1	TP-4862701	MANUAL NSS 1.0/1.5 CD VERSION (NOT SHOWN)
7	0	WD-48345	WIRING DIAGRAM

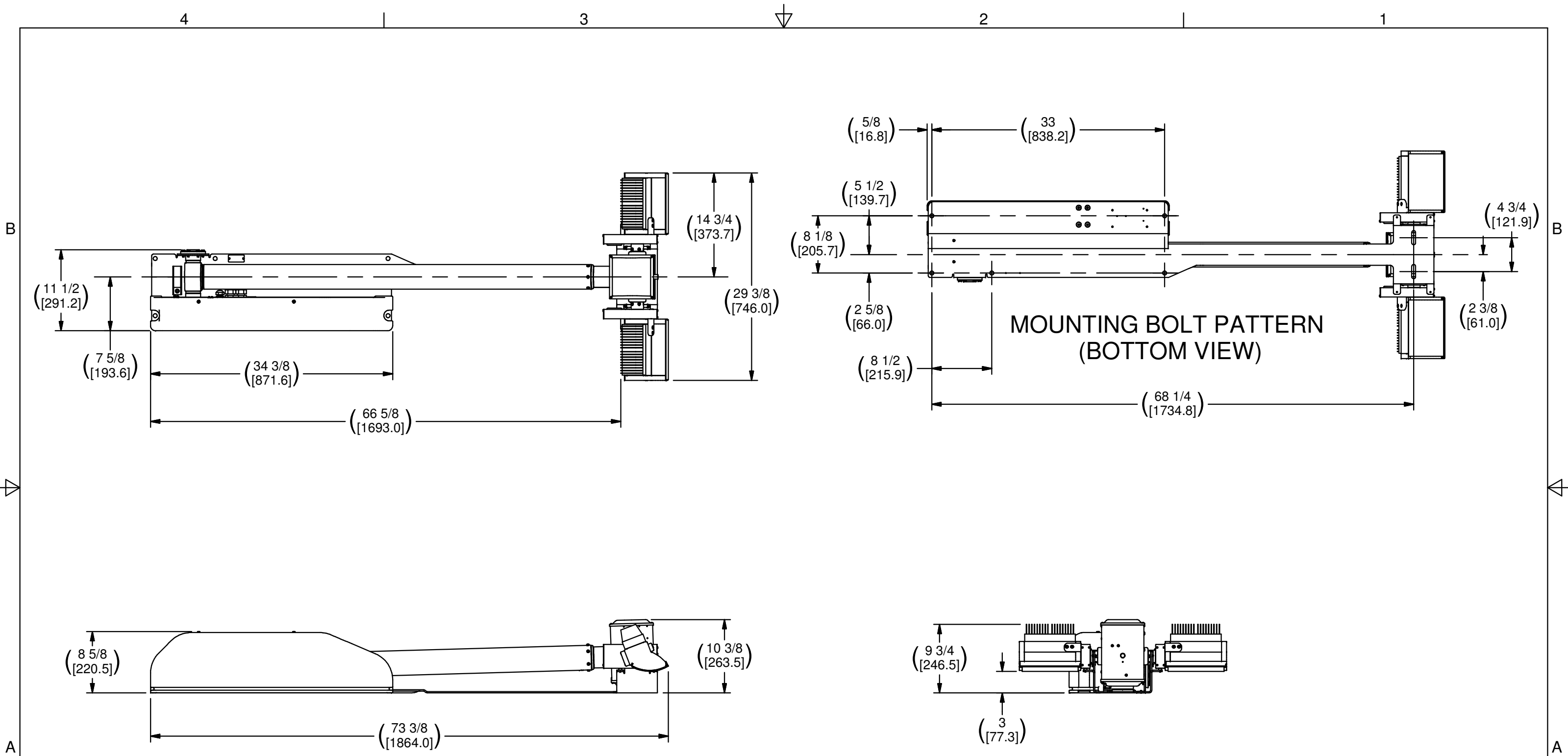
MATERIAL	<b>UNLESS OTHERWISE SPECIFIED DIMENSIONS ARE IN INCHES.</b> TOLERANCES ON: DIMENSIONS ±0.005 ANGLES ±1° 1. ALL ANGLES 90° 2. ALL INSIDE EDGES TO HAVE .005" TO .035" FILLETS. 3. ALL OUTSIDE EDGES TO HAVE .005" TO .015" CHAMFER OR RADIUS. 125√ ON ALL MACHINED SURFACES	<b>PROPRIETARY AND CONFIDENTIAL</b> THE INFORMATION CONTAINED IN THIS DRAWING IS THE SOLE PROPERTY OF THE WILL-BURT COMPANY ANY REPRODUCTION IN PART OR WHOLE WITHOUT THE WRITTEN PERMISSION OF THE WILL-BURT COMPANY IS PROHIBITED.		<b>AN EMPLOYEE OWNED COMPANY</b> ORRVILLE, OH	
FINISH		APPROVALS DRAWN CPD CHECKED		DATE 10/26/2012	
APPROX. WT:N/A		SIZE B		DWG NO 720578040	
THIRD ANGLE PROJECTION		PN: SEE TABLE		REV A	

4

3

2

1



MOUNTING BOLT PATTERN  
(BOTTOM VIEW)

NOTES:  
PRIMARY DIMENSION IN INCHES  
SECONDARY DIMENSION IN MILLIMETERS

MATERIAL	<b>UNLESS OTHERWISE SPECIFIED DIMENSIONS ARE IN INCHES.</b> TOLERANCES ON: DIMENSIONS $\pm 0.005$ ANGLES $\pm 1^\circ$ 1. ALL ANGLES $90^\circ$ 2. ALL INSIDE EDGES TO HAVE .005" TO .035" FILLETS. 3. ALL OUTSIDE EDGES TO HAVE .005" TO .015" CHAMFER OR RADIUS. $\sqrt[125]{}$ ON ALL MACHINED SURFACES	<b>PROPRIETARY AND CONFIDENTIAL</b> THE INFORMATION CONTAINED IN THIS DRAWING IS THE SOLE PROPERTY OF THE WILL-BURT COMPANY ANY REPRODUCTION IN PART OR WHOLE WITHOUT THE WRITTEN PERMISSION OF THE WILL-BURT COMPANY IS PROHIBITED.		AN EMPLOYEE OWNED COMPANY ORRVILLE, OH			
FINISH				APPROVALS	DATE	SIZE	DWG NO
APPROX. WT:N/A		THIRD ANGLE PROJECTION	DRAWN CPD	10/26/2012	B	720578040	A
			CHECKED		PN:	SEE TABLE	SHEET 2 OF 2