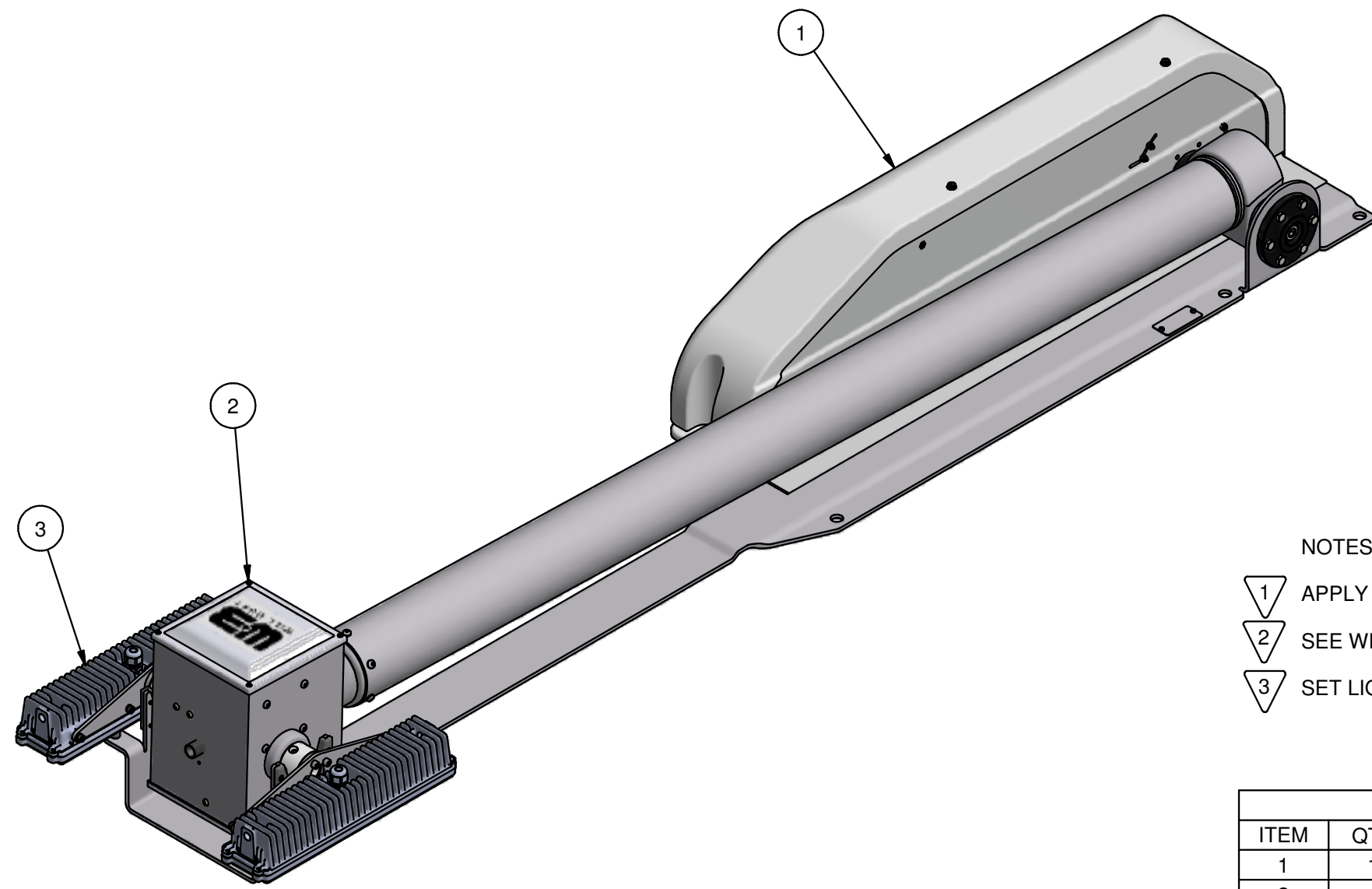


REVISION HISTORY				
ECN	REV	DESCRIPTION	DATE	APPROVED
11693	00	INITIAL RELEASE	7/12/2013	RCC
11778	A	REMOVED PART 900600; REPLACED 4558902 WITH 4558905	9/16/2013	CJY

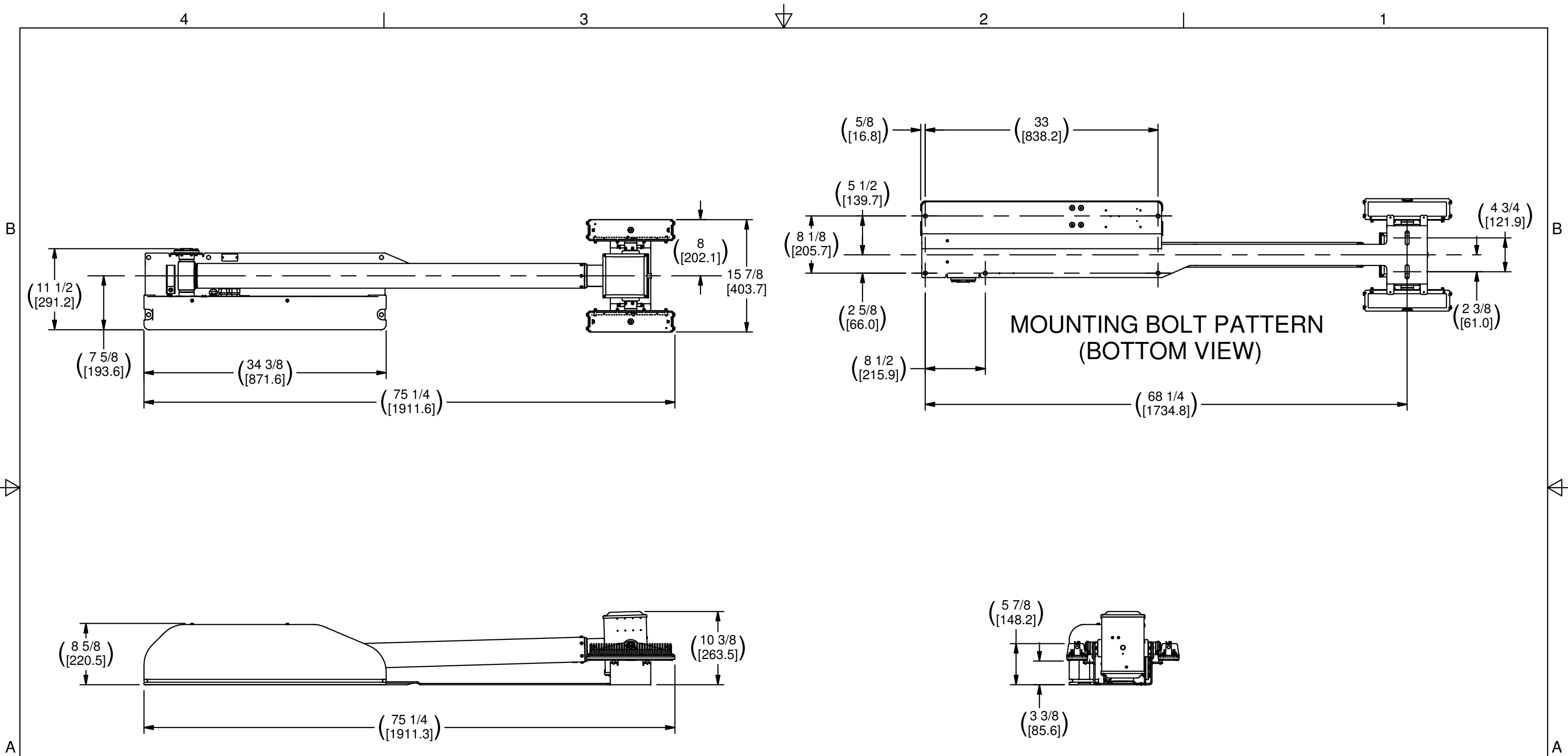


NOTES:

- 1 APPLY RTV #739 OR EQUAL TO ALL OPEN HOLES
- 2 SEE WIRING DIAGRAM WD-48345 FOR ALL UNITS
- 3 SET LIGHT BAR HOME POSITION PARALLEL TO BASE PLATE WHEN STOWED

BOM			
ITEM	QTY	PART NUMBER	DESCRIPTION
1	1	4834503	BASE ASSEMBLY, NS SCOUT
2	1	4855101	RCP ASS'Y, NS SCOUT
3	1	4894201	LIGHT KIT WHL LED 140W (2) X 70 12VDC
4	1	4558905	NSC 1.0/1.5 LABEL KIT CE (NOT SHOWN)
5	1	4742301	NS 1.0 BLUE CONTROL BOX HHRC (NOT SHOWN)
6	1	TP-4862701	MANUAL NSS 1.0/1.5 CD VERSION (NOT SHOWN)
7	0	WD-48345	WIRING DIAGRAM

MATERIAL	<b>UNLESS OTHERWISE SPECIFIED DIMENSIONS ARE IN INCHES.</b> TOLERANCES ON: DIMENSIONS ±0.005 ANGLES ±1° 1. ALL ANGLES 90° 2. ALL INSIDE EDGES TO HAVE .005" TO .035" FILLETS. 3. ALL OUTSIDE EDGES TO HAVE .005" TO .015" CHAMFER OR RADIUS. 125 ON ALL MACHINED SURFACES	<b>PROPRIETARY AND CONFIDENTIAL</b> THE INFORMATION CONTAINED IN THIS DRAWING IS THE SOLE PROPERTY OF THE WILL-BURT COMPANY ANY REPRODUCTION IN PART OR WHOLE WITHOUT THE WRITTEN PERMISSION OF THE WILL-BURT COMPANY IS PROHIBITED.		AN EMPLOYEE OWNED COMPANY ORRVILLE, OH	
FINISH				APPROVALS DRAWN RCC CHECKED	
APPROX. WT:N/A		TITLE NSS 1.5 (12V) 140 2-LED 12V WHL		DWG NO 720511843	REV A
THIRD ANGLE PROJECTION		PN: 720511843		SHEET 1 OF 2	



MOUNTING BOLT PATTERN  
(BOTTOM VIEW)

NOTES:  
PRIMARY DIMENSION IN INCHES  
SECONDARY DIMENSION IN MILLIMETERS

MATERIAL	<b>UNLESS OTHERWISE SPECIFIED DIMENSIONS ARE IN INCHES.</b> TOLERANCES ON: DIMENSIONS ±0.005 ANGLES ±1° 1. ALL ANGLES 90° 2. ALL INSIDE EDGES TO HAVE .005" TO .035" FILLETS. 3. ALL OUTSIDE EDGES TO HAVE .005" TO .015" CHAMFER OR RADIUS. $\sqrt[125]{}$ ON ALL MACHINED SURFACES	<b>PROPRIETARY AND CONFIDENTIAL</b> THE INFORMATION CONTAINED IN THIS DRAWING IS THE SOLE PROPERTY OF THE WILL-BURT COMPANY ANY REPRODUCTION IN PART OR WHOLE WITHOUT THE WRITTEN PERMISSION OF THE WILL-BURT COMPANY IS PROHIBITED.		<b>AN EMPLOYEE OWNED COMPANY</b> ORRVILLE, OH		
FINISH				APPROVALS	DATE	SIZE
APPROX. WT:N/A		THIRD ANGLE PROJECTION	DRAWN RCC	7/12/2013	B	720511843
			CHECKED		PN:	720511843
					SHEET 2 OF 2	