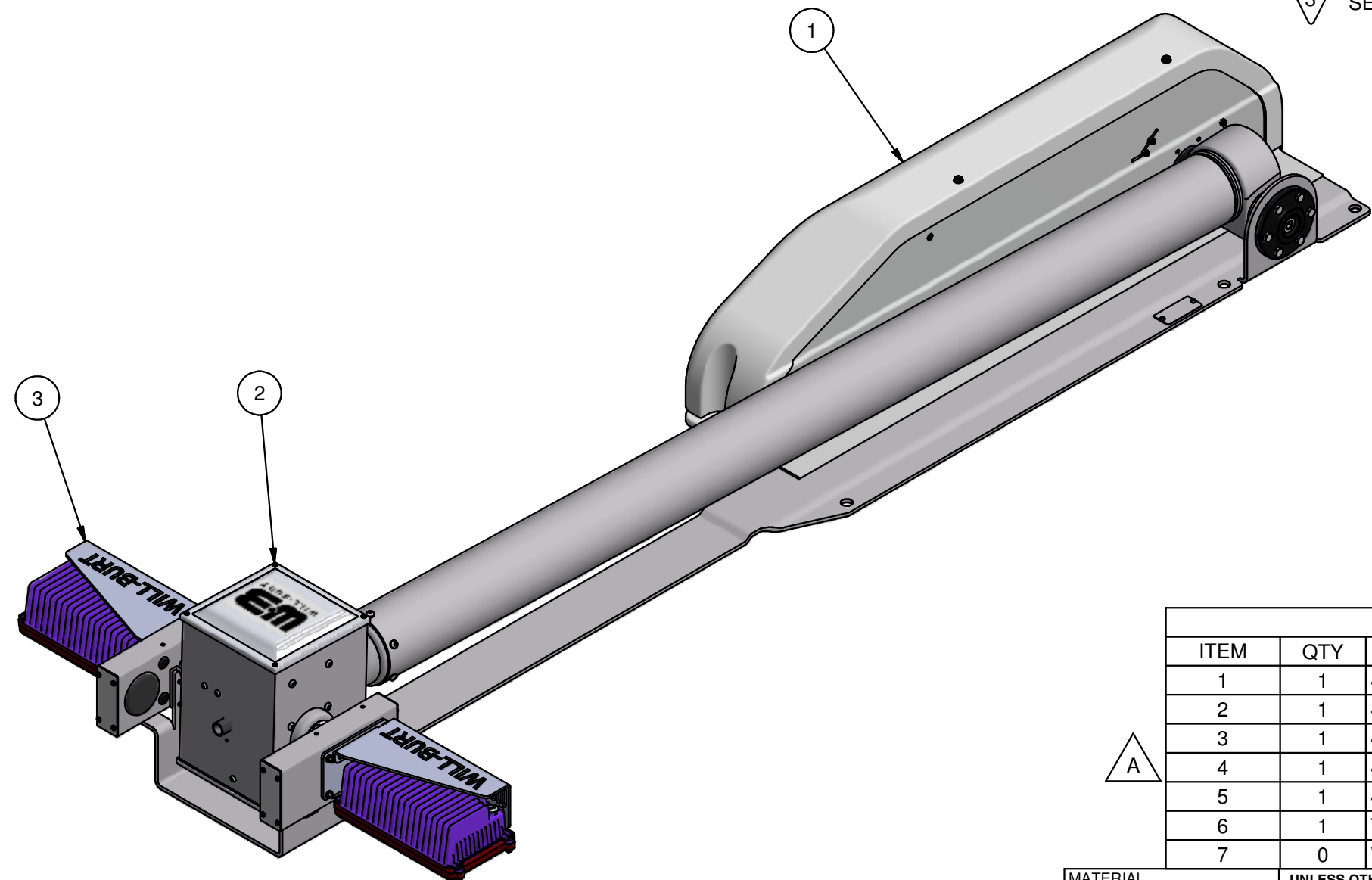


REVISION HISTORY				
ECN	REV	DESCRIPTION	DATE	APPROVED
11288	00	INITIAL RELEASE	10/26/2012	CPD
11778	A	REMOVED PART 900600; REPLACED 4558902 WITH 4558905	9/16/2013	CJY

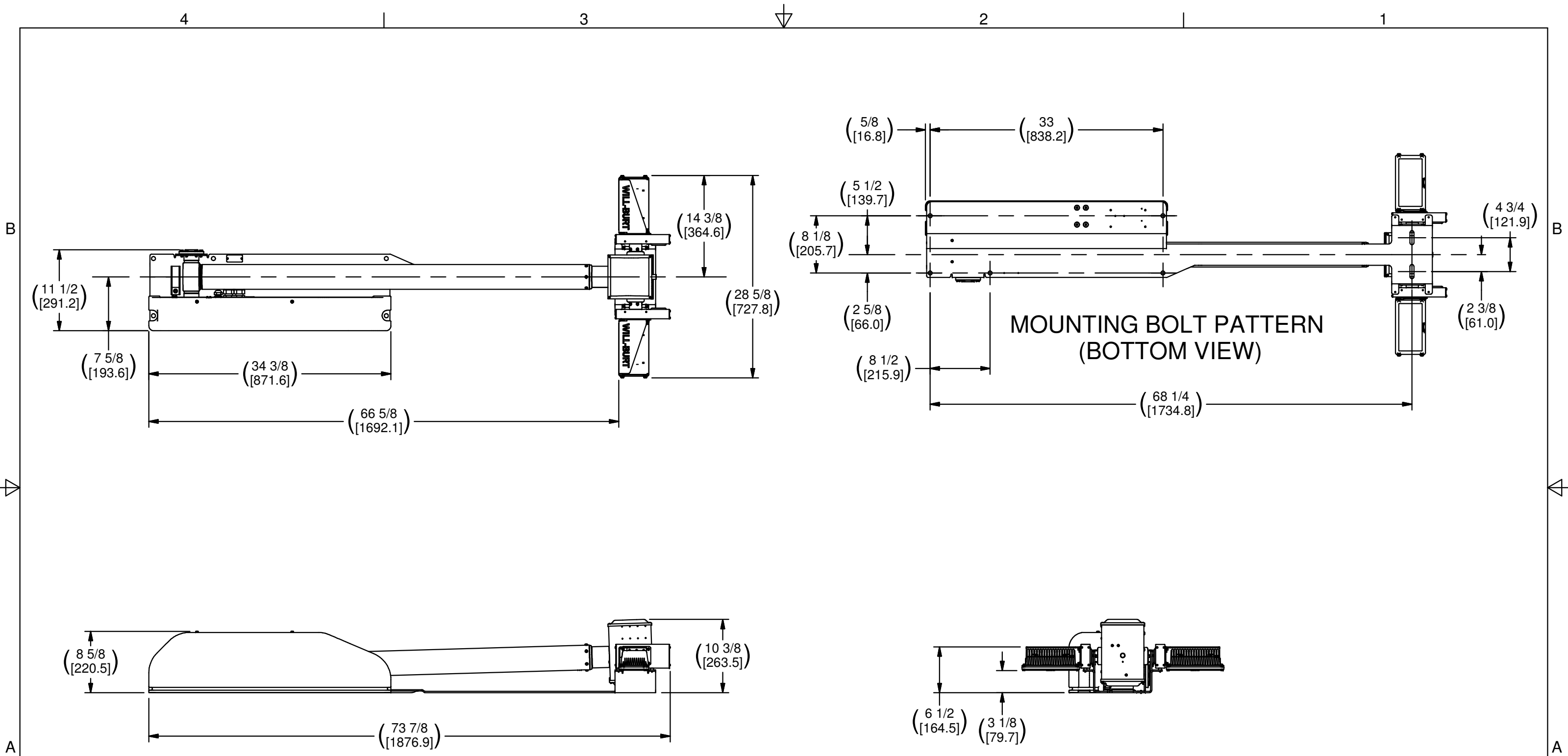
NOTES:

- 1 APPLY RTV #739 OR EQUAL TO ALL OPEN HOLES
- 2 SEE WIRING DIAGRAM WD-48345 FOR ALL UNITS
- 3 SET LIGHT BAR HOME POSITION PARALLEL TO BASE PLATE WHEN STOWED




BOM			
ITEM	QTY	PART NUMBER	DESCRIPTION
1	1	4834503	BASE ASSEMBLY, NS SCOUT
2	1	4855101	RCP ASS'Y, NS SCOUT
3	1	4597101	WHELEN LED 2 LIGHT 150W (2-75W 12VDC)
4	1	4558905	NSC 1.0/1.5 LABEL KIT CE (NOT SHOWN)
5	1	4742301	NS 1.0 BLUE CONTROL BOX HHRC (NOT SHOWN)
6	1	TP-4862701	MANUAL NSS 1.0/1.5 CD VERSION (NOT SHOWN)
7	0	WD-48345	WIRING DIAGRAM

MATERIAL	<b>UNLESS OTHERWISE SPECIFIED DIMENSIONS ARE IN INCHES.</b> TOLERANCES ON: DIMENSIONS ±0.005 ANGLES ±1° 1. ALL ANGLES 90° 2. ALL INSIDE EDGES TO HAVE .005" TO .035" FILLETS. 3. ALL OUTSIDE EDGES TO HAVE .005" TO .015" CHAMFER OR RADIUS. <sup>125</sup> √ ON ALL MACHINED SURFACES	<b>PROPRIETARY AND CONFIDENTIAL</b> THE INFORMATION CONTAINED IN THIS DRAWING IS THE SOLE PROPERTY OF THE WILL-BURT COMPANY ANY REPRODUCTION IN PART OR WHOLE WITHOUT THE WRITTEN PERMISSION OF THE WILL-BURT COMPANY IS PROHIBITED.		AN EMPLOYEE OWNED COMPANY ORRVILLE, OH	
FINISH				APPROVALS	DATE
APPROX. WT:N/A		THIRD ANGLE PROJECTION	DRAWN CPD CHECKED	10/26/2012	B
		TITLE NSS 1.5 (12V) 2X75 LED 12V WHELEN		PN: 720511840	REV A



NOTES:  
 PRIMARY DIMENSION IN INCHES  
 SECONDARY DIMENSION IN MILLIMETERS

MATERIAL	UNLESS OTHERWISE SPECIFIED DIMENSIONS ARE IN INCHES. TOLERANCES ON: DIMENSIONS ±0.005 ANGLES ±1° 1. ALL ANGLES 90° 2. ALL INSIDE EDGES TO HAVE .005" TO .035" FILLETS. 3. ALL OUTSIDE EDGES TO HAVE .005" TO .015" CHAMFER OR RADIUS.	PROPRIETARY AND CONFIDENTIAL THE INFORMATION CONTAINED IN THIS DRAWING IS THE SOLE PROPERTY OF THE WILL-BURT COMPANY ANY REPRODUCTION IN PART OR WHOLE WITHOUT THE WRITTEN PERMISSION OF THE WILL-BURT COMPANY IS PROHIBITED.		 AN EMPLOYEE OWNED COMPANY ORRVILLE, OH		
FINISH		APPROVALS	DATE	SIZE	DWG NO	REV
APPROX. WT: N/A	THIRD ANGLE PROJECTION	DRAWN CPD	10/26/2012	B	720511840	A
		CHECKED		PN:	720511840	SHEET 2 OF 2