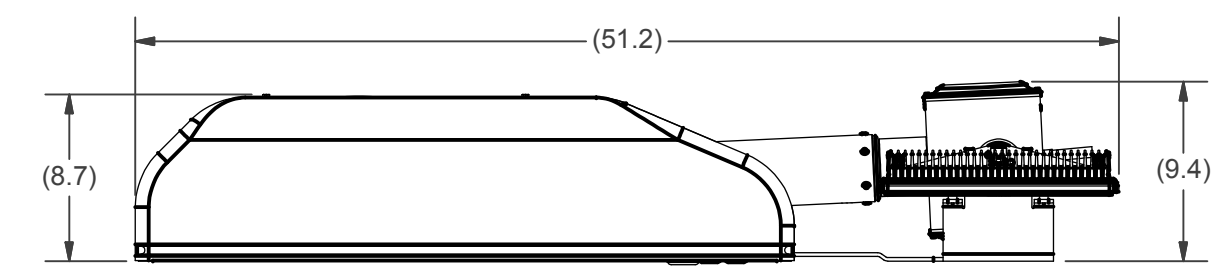
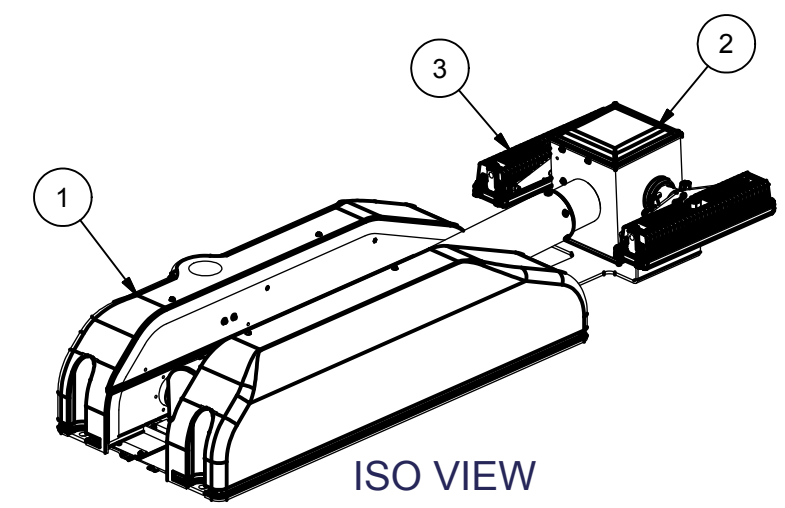
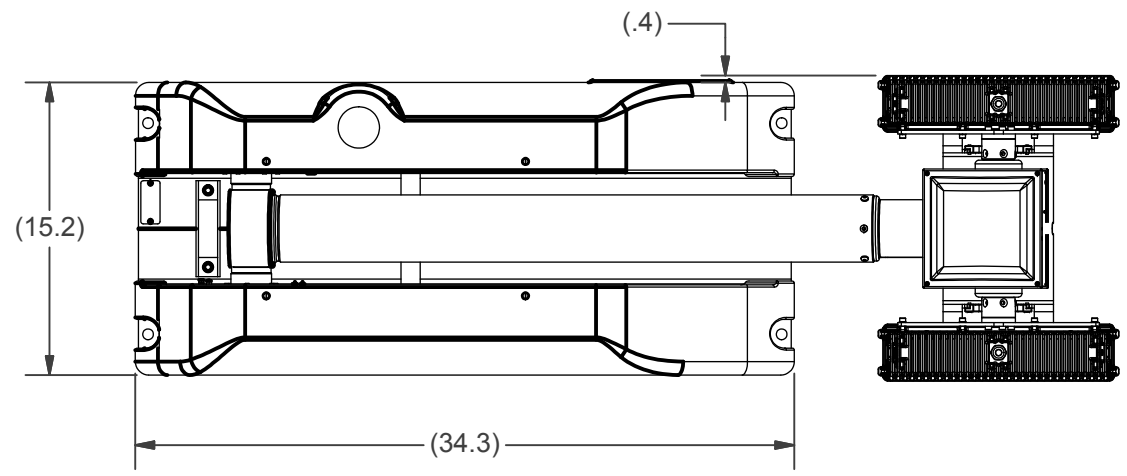


REVISION HISTORY				
ECN	REV	DESCRIPTION	DATE	APPROVED
13637	00	INITIAL RELEASE	5/16/2017	RCC



BOM			
ITEM	QTY	PART NUMBER	DESCRIPTION
1	1	5351401	NSC BASE ASSY 1.0M CHF/SCT CLR
2	1	4548301	NSC RCP, LIGHTS ONLY
3	1	4894201	LIGHT KIT WHL LED 140W (2) X 70 12VDC
4	1	4558902	NSC LABEL KIT (NOT SHOWN)
5	1	WD-46276	WIRING DIAGRAM
6	1	TP-4602001	NS CHIEF 1.8/2.3 OPERATOR'S MANUAL (NOT SHOWN)

- NOTE:
- 1 APPLY RTV #739 OR EQUAL TO ALL OPEN HOLES.
  - 2 SEE WIRING DIAGRAM WD-46276 FOR ALL UNITS.
  - 3 SET LIGHT BARS HOME POSITION PARALLEL TO BASE PLATE WHEN STOWED.

APPROX. WT:78.2 lbmass

THIRD ANGLE PROJECTION

**UNLESS OTHERWISE SPECIFIED DIMENSIONS ARE IN INCHES.**  
 TOLERANCES ON DECIMALS ANGLES  
 0 = ± 0.030 ± 1/2°  
 00 = ± 0.010  
 000 = ± 0.005  
 FRACTIONAL ± 1/64"  
 1. ALL INSIDE EDGES TO HAVE .005" TO .035" FILLETS.  
 2. ALL OUTSIDE EDGES TO HAVE .005" TO .015" CHAMFER OR RADIUS.  
 125√ ON ALL MACHINED SURFACES

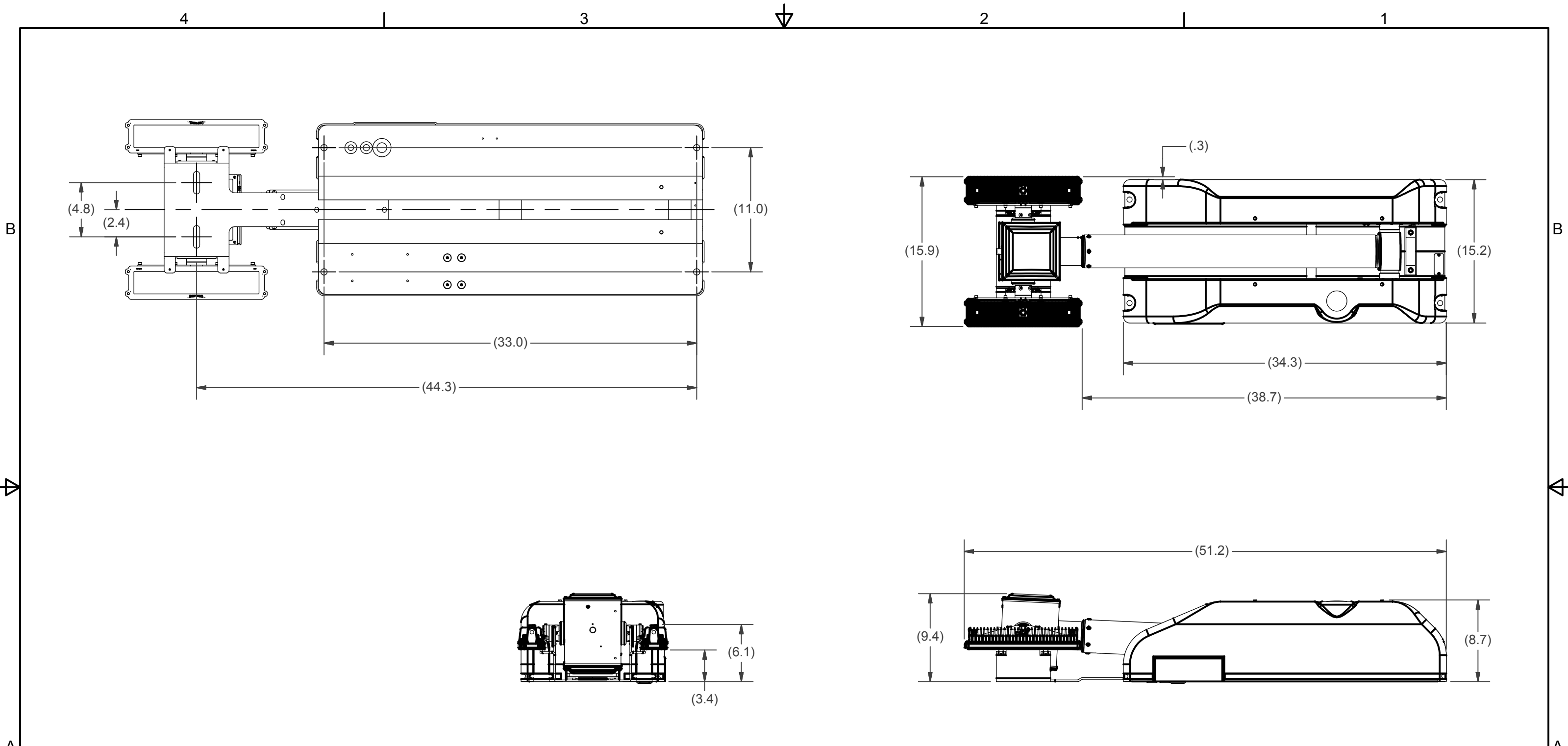
**PROPRIETARY AND CONFIDENTIAL**  
 THE INFORMATION CONTAINED IN THIS DRAWING IS THE SOLE PROPERTY OF THE WILL-BURT COMPANY ANY REPRODUCTION IN PART OR WHOLE WITHOUT THE WRITTEN PERMISSION OF THE WILL-BURT COMPANY IS PROHIBITED.

**WILL-BURT AN EMPLOYEE OWNED COMPANY**  
 ORRVILLE, OH

TITLE  
**NCS 1.0 CHF/SCT 160W 2X80W 12VDC WHT**

APPROVALS	DATE
DRAWN RCC	5/16/2017
CHECKED	

SIZE	DWG NO	REV
B	720351275	00
PN: 720351275		SHEET 1 OF 2



**UNLESS OTHERWISE SPECIFIED  
DIMENSIONS ARE IN INCHES.**  
 TOLERANCES ON DECIMALS ANGLES  
 0 = ± 0.030 ± 1/2°  
 00 = ± 0.010  
 000 = ± 0.005  
 FRACTIONAL ± 1/64"  
 1. ALL INSIDE EDGES TO HAVE  
 .005" TO .035" FILLETS.  
 2. ALL OUTSIDE EDGES TO HAVE  
 .005" TO .015" CHAMFER OR RADIUS.  
 125  
 ✓ ON ALL MACHINED SURFACES

APPROX. WT:78.2 lbmass

THIRD ANGLE PROJECTION



**PROPRIETARY AND CONFIDENTIAL**  
 THE INFORMATION CONTAINED IN THIS  
 DRAWING IS THE SOLE PROPERTY OF THE  
 WILL-BURT COMPANY ANY  
 REPRODUCTION IN PART OR WHOLE  
 WITHOUT THE WRITTEN PERMISSION OF  
 THE WILL-BURT COMPANY IS PROHIBITED.

**WB** AN EMPLOYEE OWNED COMPANY  
 WILL-BURT ORRVILLE, OH

TITLE  
**NCS 1.0 CHF/SCT 160W  
 2X80W 12VDC WHT**

APPROVALS	DATE
DRAWN RCC	5/16/2017
CHECKED	

SIZE	DWG NO	REV
B	720351275	00
PN:	720351275	SHEET 2 OF 2