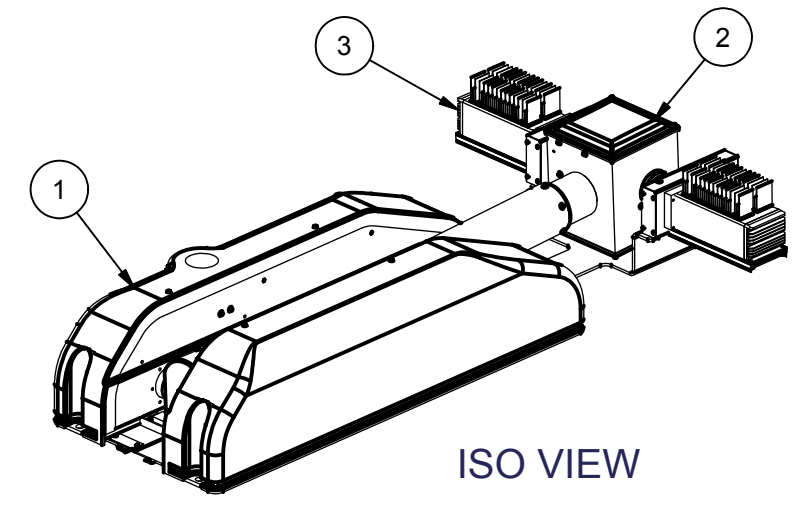
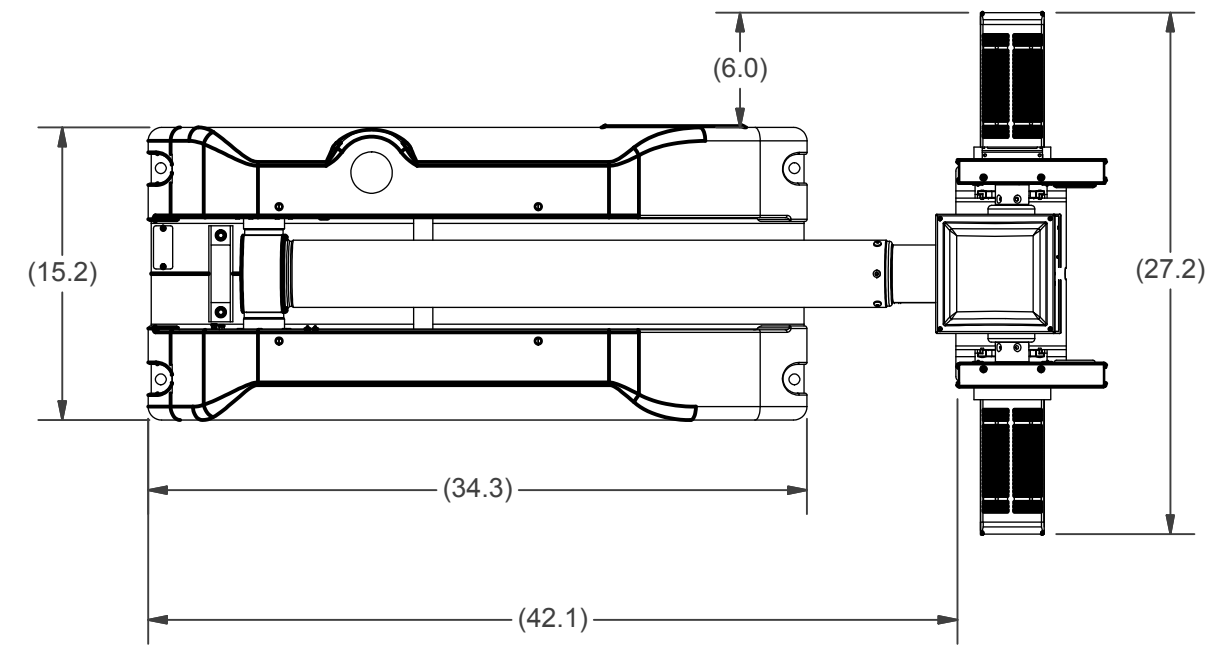
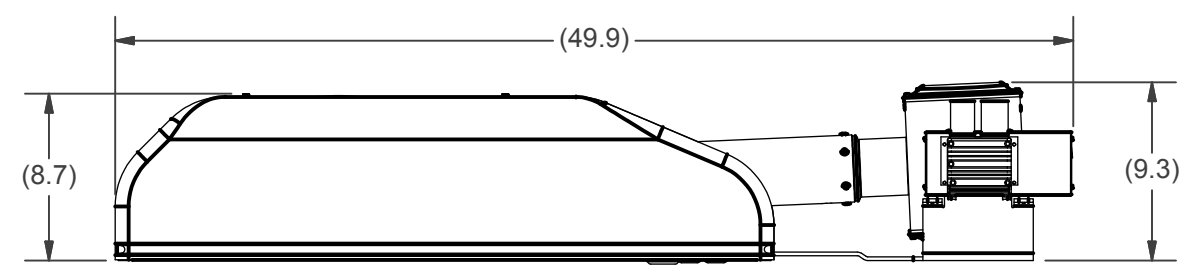


REVISION HISTORY				
ECN	REV	DESCRIPTION	DATE	APPROVED
13346	00	INITIAL RELEASE	9/6/2016	RCC



ISO VIEW



BOM			
ITEM	QTY	PART NUMBER	DESCRIPTION
1	1	5351401	NSC BASE ASSY 1.0M CHF/SCT CLR
2	1	4548301	NSC RCP, LIGHTS ONLY
3	1	4596601	FRC LED 2 LT, 180W (2-90W 12/24VDC) WHT
4	1	4558905	NSC LABEL KIT (NOT SHOWN)
5	1	WD-46276	WIRING DIAGRAM
6	1	TP-4602001	NS CHIEF 1.8/2.3 OPERATOR'S MANUAL (NOT SHOWN)

- NOTE:
- 1 APPLY RTV #739 OR EQUAL TO ALL OPEN HOLES.
 - 2 SEE WIRING DIAGRAM WD-46276 FOR ALL UNITS.
 - 3 SET LIGHT BARS HOME POSITION PARALLEL TO BASE PLATE WHEN STOWED.

APPROX. WT:81.8 lbmass

THIRD ANGLE PROJECTION



UNLESS OTHERWISE SPECIFIED
DIMENSIONS ARE IN INCHES.

TOLERANCES ON DECIMALS ANGLES
 0 = ± 0.030 ± 1/2°
 00 = ± 0.010
 000 = ± 0.005
 FRACTIONAL ± 1/64"

1. ALL INSIDE EDGES TO HAVE
.005" TO .035" FILLETS.
 2. ALL OUTSIDE EDGES TO HAVE
.005" TO .015" CHAMFER OR RADIUS.
 125 ON ALL MACHINED SURFACES

PROPRIETARY AND CONFIDENTIAL

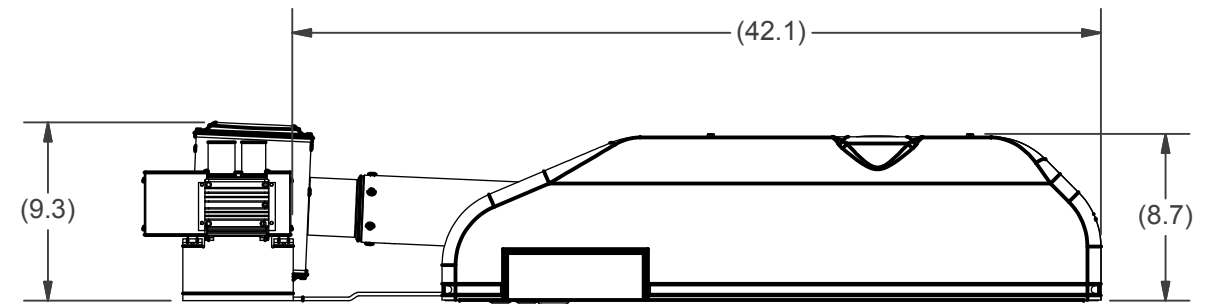
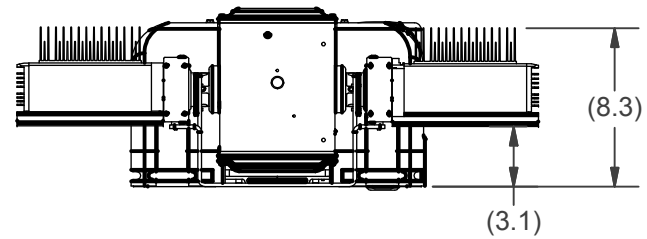
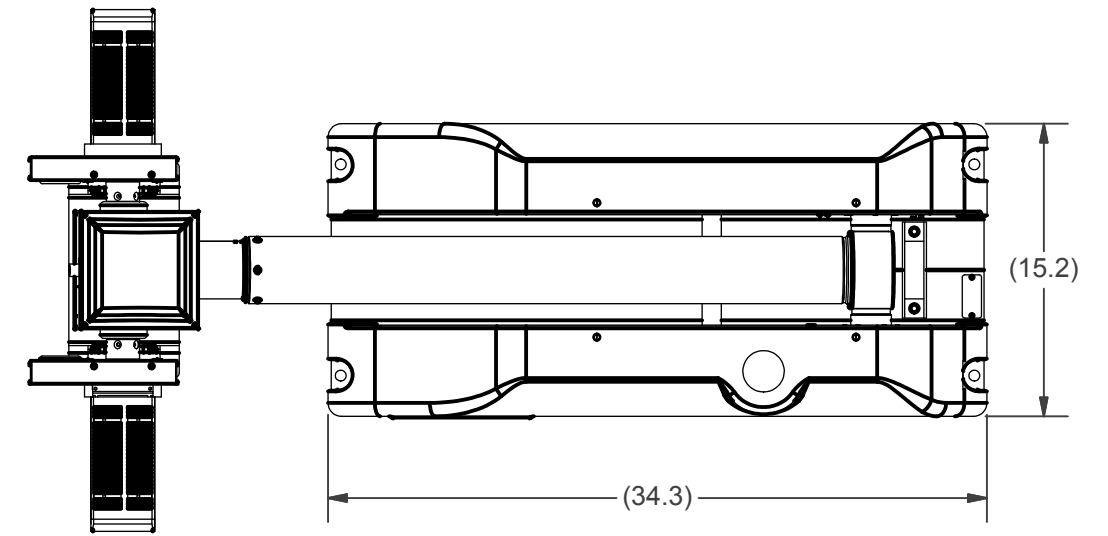
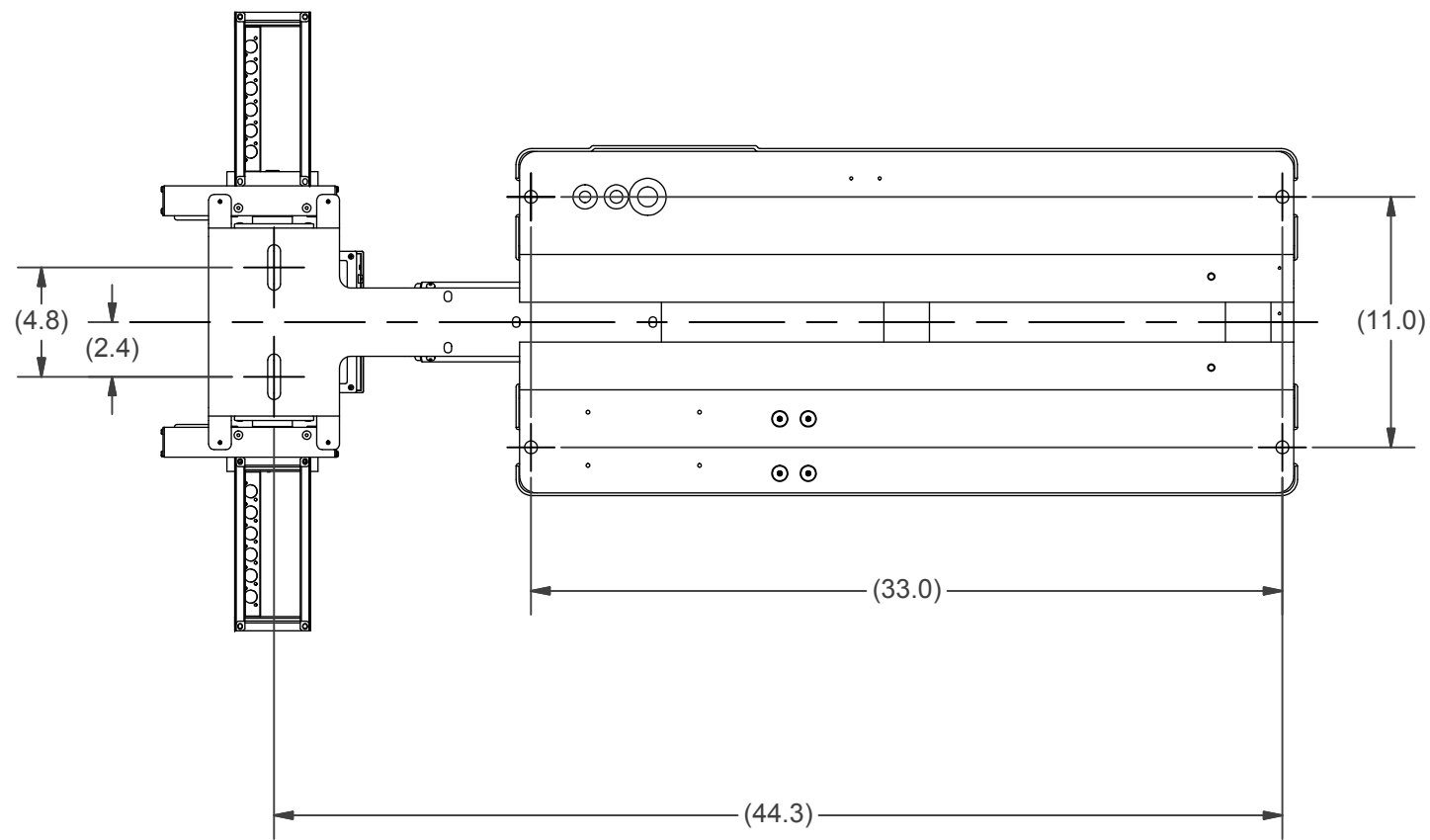
THE INFORMATION CONTAINED IN THIS DRAWING IS THE SOLE PROPERTY OF THE WILL-BURT COMPANY ANY REPRODUCTION IN PART OR WHOLE WITHOUT THE WRITTEN PERMISSION OF THE WILL-BURT COMPANY IS PROHIBITED.



APPROVALS	DATE
DRAWN RCC	9/6/2016
CHECKED	

TITLE
**NSS 1.0 CHF/SCT 180W
 EVO-II 2X90W 12/24VDC**

SIZE	DWG NO	REV
B	720351260	00
PN:	720351260	SHEET 1 OF 2



APPROX. WT:81.8 lbmass

THIRD ANGLE PROJECTION



**UNLESS OTHERWISE SPECIFIED
DIMENSIONS ARE IN INCHES.**
TOLERANCES ON DECIMALS ANGLES
0 = ± 0.030 ± 1/2°
.00 = ± 0.010
.000 = ± 0.005
FRACTIONAL ± 1/64"
1. ALL INSIDE EDGES TO HAVE
.005" TO .035" FILLETS.
2. ALL OUTSIDE EDGES TO HAVE
.005" TO .015" CHAMFER OR RADIUS.
125√ ON ALL MACHINED SURFACES

PROPRIETARY AND CONFIDENTIAL
THE INFORMATION CONTAINED IN THIS
DRAWING IS THE SOLE PROPERTY OF THE
WILL-BURT COMPANY ANY
REPRODUCTION IN PART OR WHOLE
WITHOUT THE WRITTEN PERMISSION OF
THE WILL-BURT COMPANY IS PROHIBITED.

WB AN EMPLOYEE OWNED COMPANY
WILL-BURT ORRVILLE, OH

TITLE
**NSS 1.0 CHF/SCT 180W
EVO-II 2X90W 12/24VDC**

APPROVALS	DATE	SIZE	DWG NO	REV
DRAWN RCC	9/6/2016	B	720351260	00
CHECKED		PN:	720351260	SHEET 2 OF 2