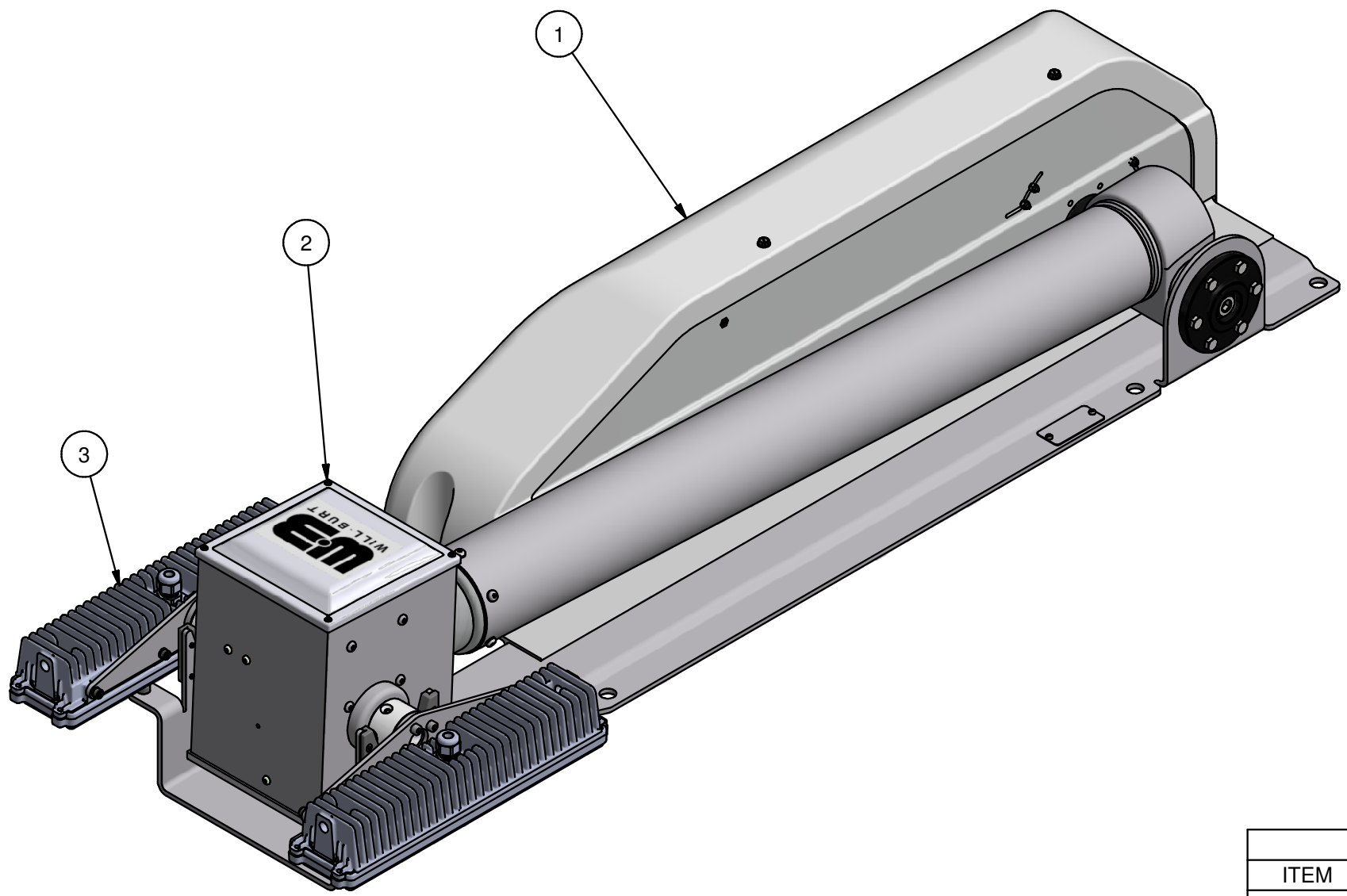


REVISION HISTORY				
ECN	REV	DESCRIPTION	DATE	APPROVED
11429	00	INITIAL RELEASE	1/11/2013	RCC
11600	A	4558905 was 4558902	5/15/2013	DAS
11778	B	REMOVED PART 900600	9/16/2013	CJY

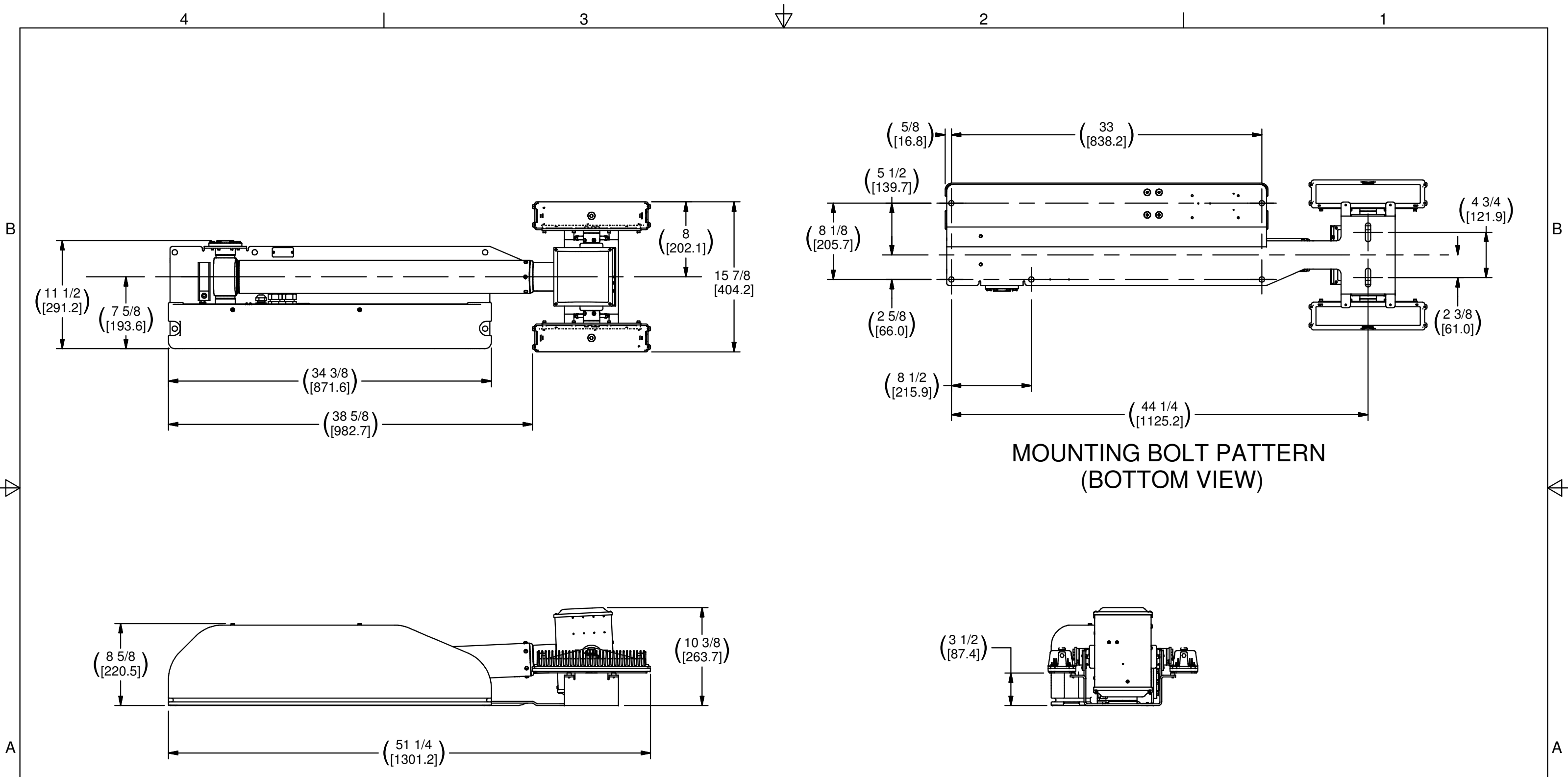


NOTES:

- 1 APPLY RTV #739 OR EQUAL TO ALL OPEN HOLES
- 2 SEE WIRING DIAGRAM WD-48345 FOR ALL UNITS
- 3 SET LIGHT BAR HOME POSITION PARALLEL TO BASE PLATE WHEN STOWED

BOM			
ITEM	QTY	PART NUMBER	DESCRIPTION
1	1	4834501	BASE ASSEMBLY, NS SCOUT
2	1	4855101	RCP ASS'Y, NS SCOUT
3	1	4894201	LIGHT KIT WHL LED 140W (2) X 70 12VDC
4	1	4558905	NSC 1.0 \ 1.5 LABEL KIT CE (NOT SHOWN)
5	1	4742301	NS 1.0 BLUE CONTROL BOX HHRC (NOT SHOWN)
6	1	TP-4862701	MANUAL NSS 1.0/1.5 CD VERSION (NOT SHOWN)
7	1	WD-48345	WIRING DIAGRAM

MATERIAL	UNLESS OTHERWISE SPECIFIED DIMENSIONS ARE IN INCHES. TOLERANCES ON: DIMENSIONS ±0.005 ANGLES ±1° 1. ALL ANGLES 90° 2. ALL INSIDE EDGES TO HAVE .005" TO .035" FILLETS. 3. ALL OUTSIDE EDGES TO HAVE .005" TO .015" CHAMFER OR RADIUS.	PROPRIETARY AND CONFIDENTIAL THE INFORMATION CONTAINED IN THIS DRAWING IS THE SOLE PROPERTY OF THE WILL-BURT COMPANY ANY REPRODUCTION IN PART OR WHOLE WITHOUT THE WRITTEN PERMISSION OF THE WILL-BURT COMPANY IS PROHIBITED.		AN EMPLOYEE OWNED COMPANY ORRVILLE, OH			
FINISH				APPROVALS DRAWN RCC CHECKED		DATE 1/11/2013	SIZE B
APPROX. WT:N/A	THIRD ANGLE PROJECTION 	125 ON ALL MACHINED SURFACES		TITLE NSS 1.0 (12V) 2X75 LED 12V WHEELEN		PN: 720311001	SHEET 1 OF 2



MOUNTING BOLT PATTERN
(BOTTOM VIEW)

NOTES:
PRIMARY DIMENSION IN INCHES
SECONDARY DIMENSION IN MILLIMETERS

MATERIAL	UNLESS OTHERWISE SPECIFIED DIMENSIONS ARE IN INCHES. TOLERANCES ON: DIMENSIONS ±0.005 ANGLES ±1° 1. ALL ANGLES 90° 2. ALL INSIDE EDGES TO HAVE .005" TO .035" FILLETS. 3. ALL OUTSIDE EDGES TO HAVE .005" TO .015" CHAMFER OR RADIUS. 125° ON ALL MACHINED SURFACES	PROPRIETARY AND CONFIDENTIAL THE INFORMATION CONTAINED IN THIS DRAWING IS THE SOLE PROPERTY OF THE WILL-BURT COMPANY ANY REPRODUCTION IN PART OR WHOLE WITHOUT THE WRITTEN PERMISSION OF THE WILL-BURT COMPANY IS PROHIBITED.		WILL-BURT AN EMPLOYEE OWNED COMPANY ORRVILLE, OH		
FINISH				APPROVALS DRAWN RCC CHECKED		DATE 1/11/2013
APPROX. WT:N/A		THIRD ANGLE PROJECTION		SIZE B	DWG NO 720311001	REV B
			PN: 720311001	SHEET 2 OF 2		